

2023 Ramp & Roadway



Washington State Department of

Transportation

Northwest Region- Whatcom County
Average Daily Volumes

Page Intentionally Left Blank

Table of Contents

Summary Report..... 3

Legend 4

I-5 5

SR 9..... 15

SR 539 18

SR 543 19

Appendix..... 21

RAMP AND ROADWAY TRAFFIC VOLUME REPORT – WHATCOM COUNTY

2023 SUMMARY REPORT

During 2024, the Transportation Management Center (TMC) of the Northwest Region created Ramp and Roadway Volumes Report for Whatcom County. Traffic counts were taken from January 2023 through December 2023 from vehicle detection loops.

The following interstate and state highways are included in this report:

- 1) I-5 from Samish Way to the Canadian Border
- 2) SR-9 from Sumas Ave to the Canadian Border
- 3) SR 539 from Badger Rd to the Canadian Border
- 3) SR-543 from H St to the Canadian Border

Average weekday volumes (AWD) were computed from Tuesday through Thursday data. AM and PM peaks correspond to the highest hourly volumes. If a peak occurred outside of 6:00 AM to 10:00 AM or 2:00 PM to 7:00 PM, it is indicated in the report with an asterisk (*). The peak times for those locations are noted in the appendix.

NOTE: All roadway drawings are NOT drawn to scale.

Special thanks go to the Northwest Region Transportation Management Center engineers, technicians, and interns for their work in compiling and analyzing the data for this report.

An electronic copy of the ramp and roadway data sheets contained in this report is also posted on our website at the following address:

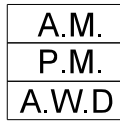
<https://wsdot.wa.gov/about/transportation-data/travel-data/ramp-roadway-report>

For more information on this report, please contact:

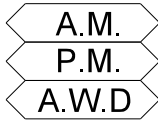
Northwest Region Transportation Management Center
15710 Dayton Avenue North
P.O. Box 330310
Seattle, WA 98133-9710

Email: nwflow@wsdot.wa.gov
Fax: (206) 440-4804

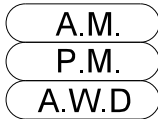
LEGEND



RAMP VOLUME



HIGH-OCCUPANCY VEHICLE (HOV) LANE VOLUME



MAINLINE VOLUME
(DOES NOT INCLUDE HOV LANE VOLUME)



HOV FACILITY



BEGINNING OR END OF HOV FACILITY



METERED RAMP SHOULDER

*

PEAK HOUR OCCURRED OUTSIDE OF NORMAL PEAK HOUR
(6:00 A.M. TO 10:00 A.M. OR 2:00 P.M. TO 7:00 P.M.; SEE APPENDIX)

S

SPEED DATA AVAILABLE AT THIS LOCATION

T

SPEED DATA OBTAINED FROM TUBE COUNTERS

A.M.

A.M. PEAK HOUR VOLUME

P.M.

P.M. PEAK HOUR VOLUME

A.W.D

AVERAGE WEEKDAY VOLUME

CONSTR

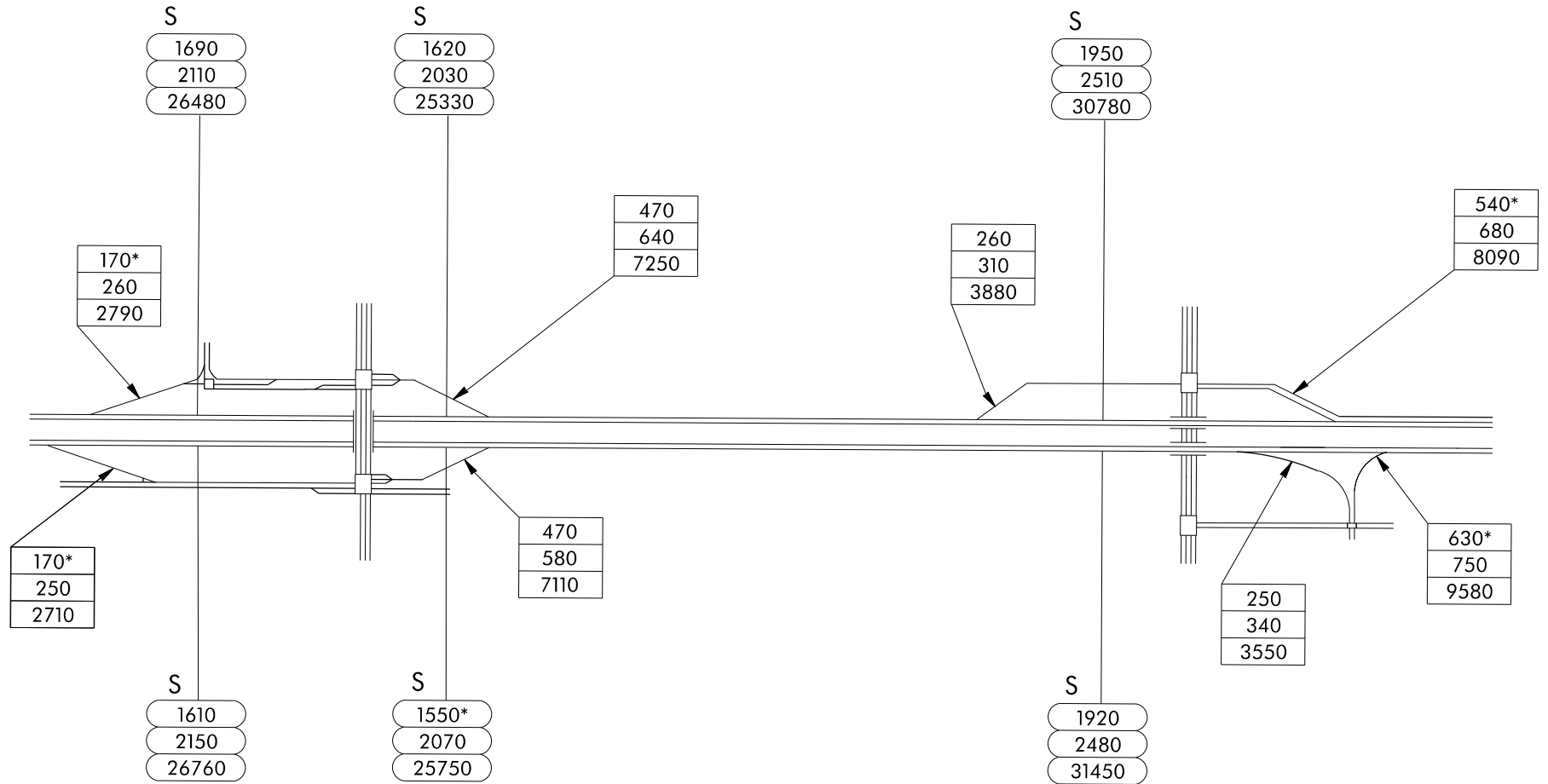
DATA NOT AVAILABLE DUE TO CONSTRUCTION

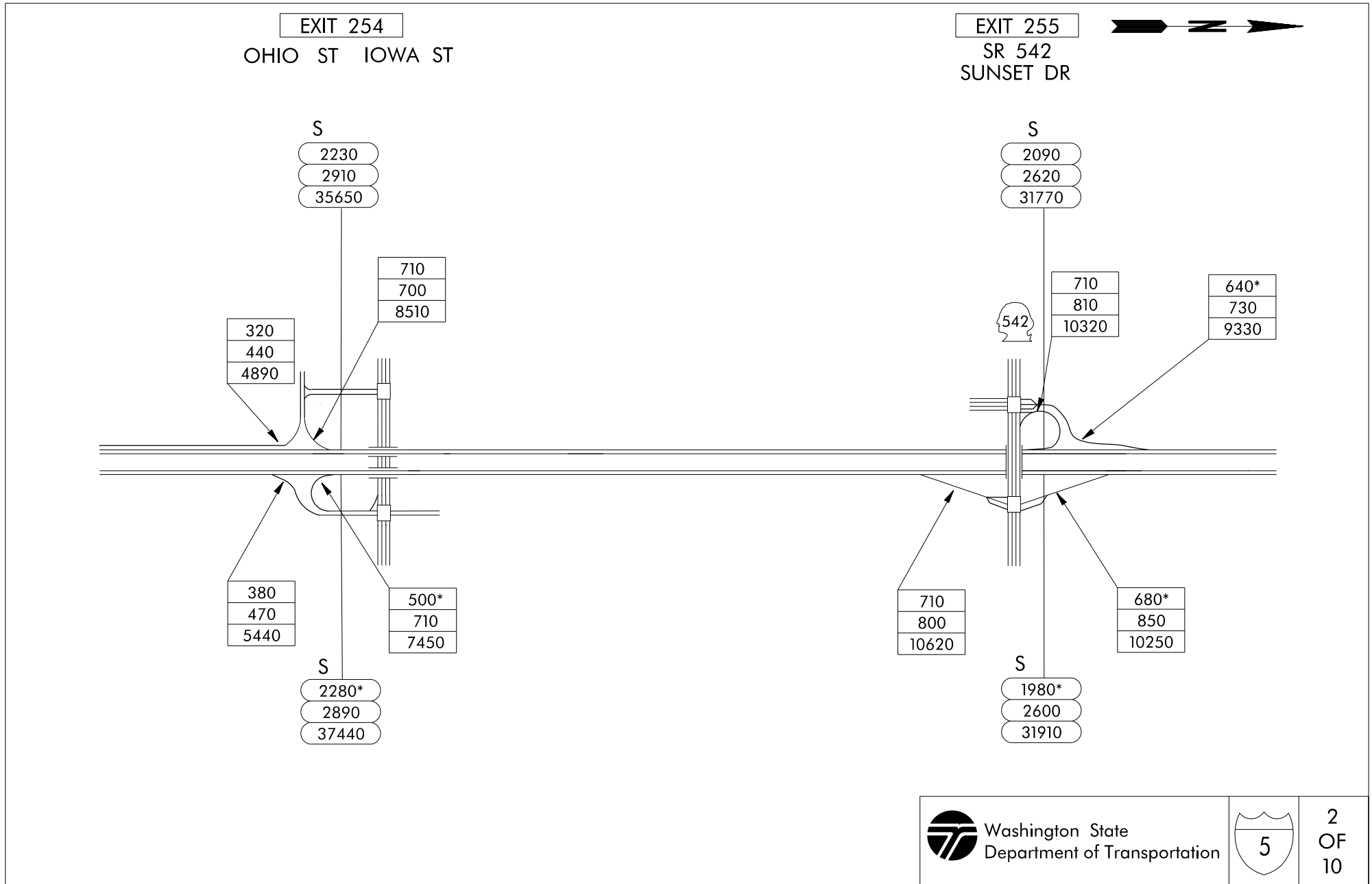
N.A.

DATA NOT AVAILABLE

EXIT 252
SAMISH WAY

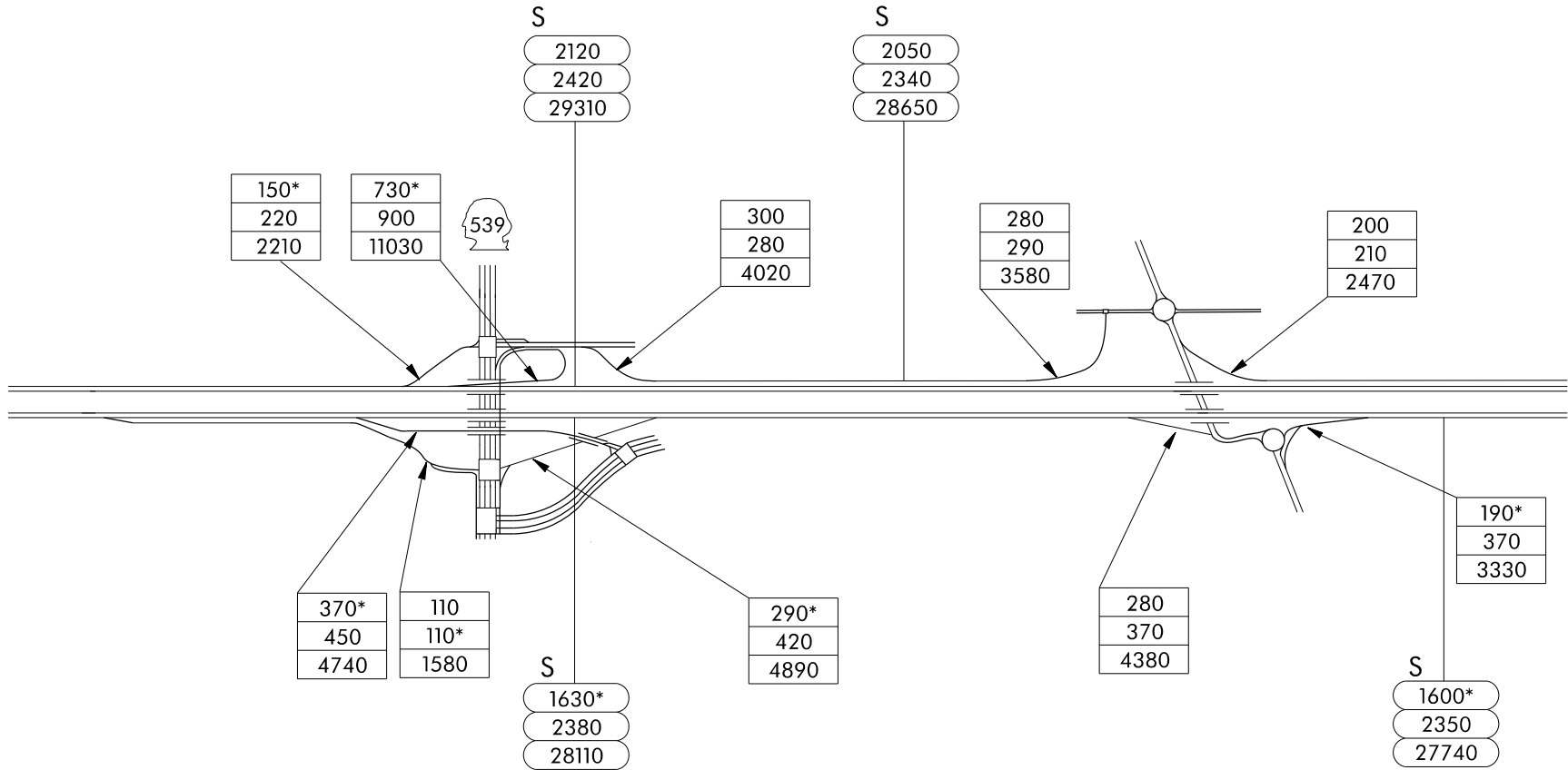
EXIT 253
LAKEWAY DR





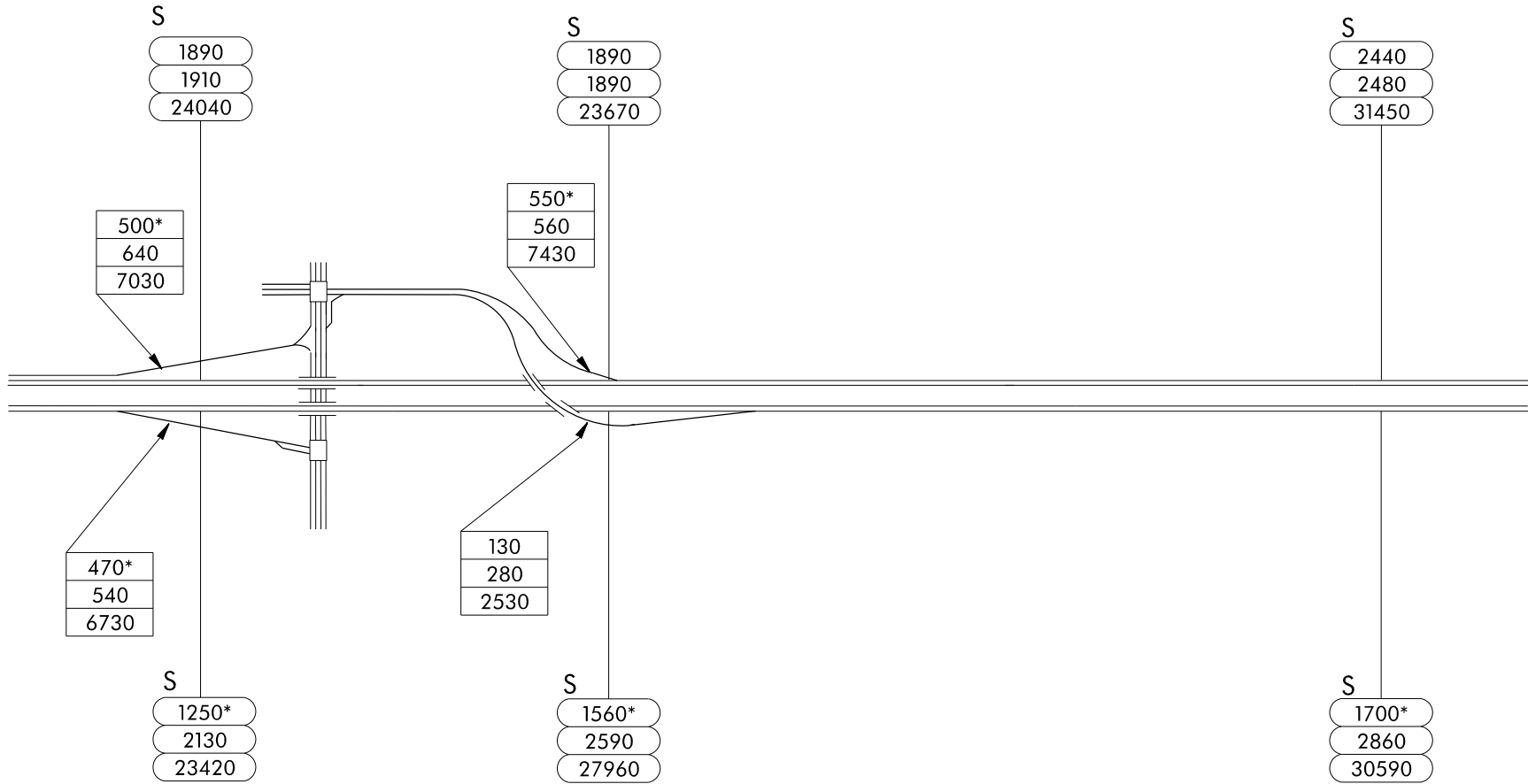
EXIT 256A/B
SR 539
MERIDIAN ST

EXIT 257
NORTHWEST AVE



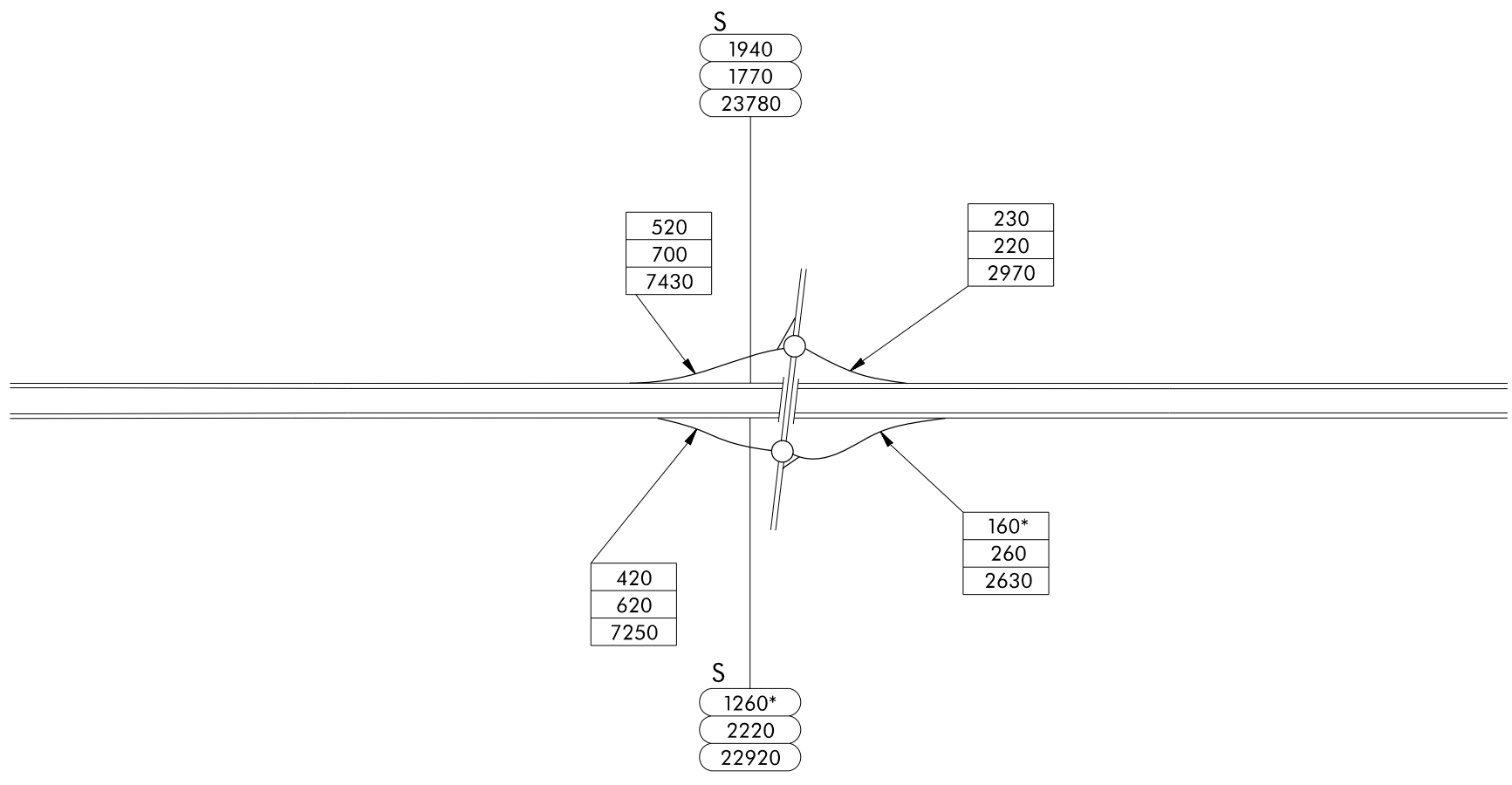
EXIT 258
BAKerview RD

BELLINGHAM AIRPORT



 Washington State Department of Transportation		4 OF 10
--	---	---------------

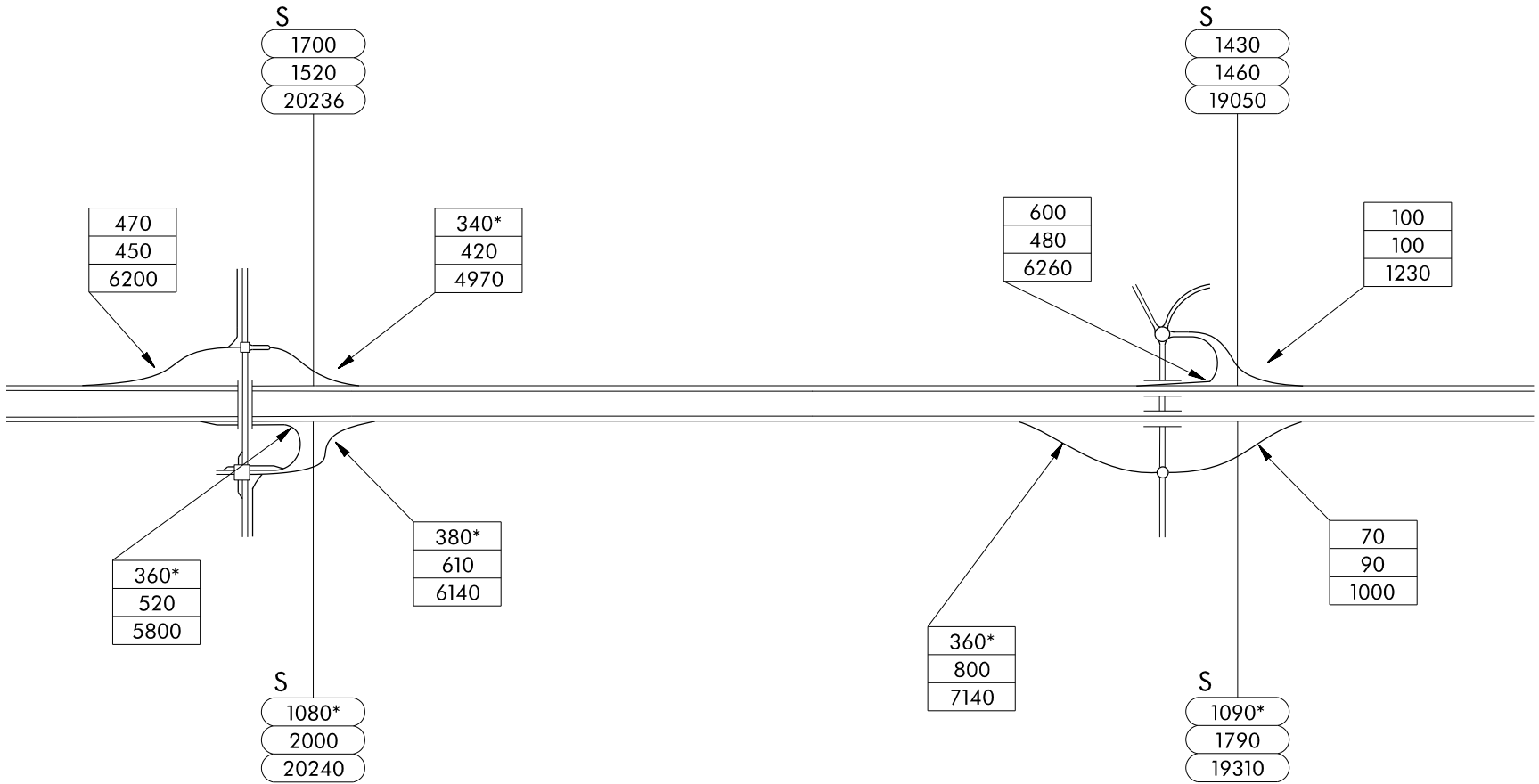
EXIT 260
SLATER RD



 Washington State Department of Transportation		5 OF 10
--	---	---------------

EXIT 262
MAIN ST

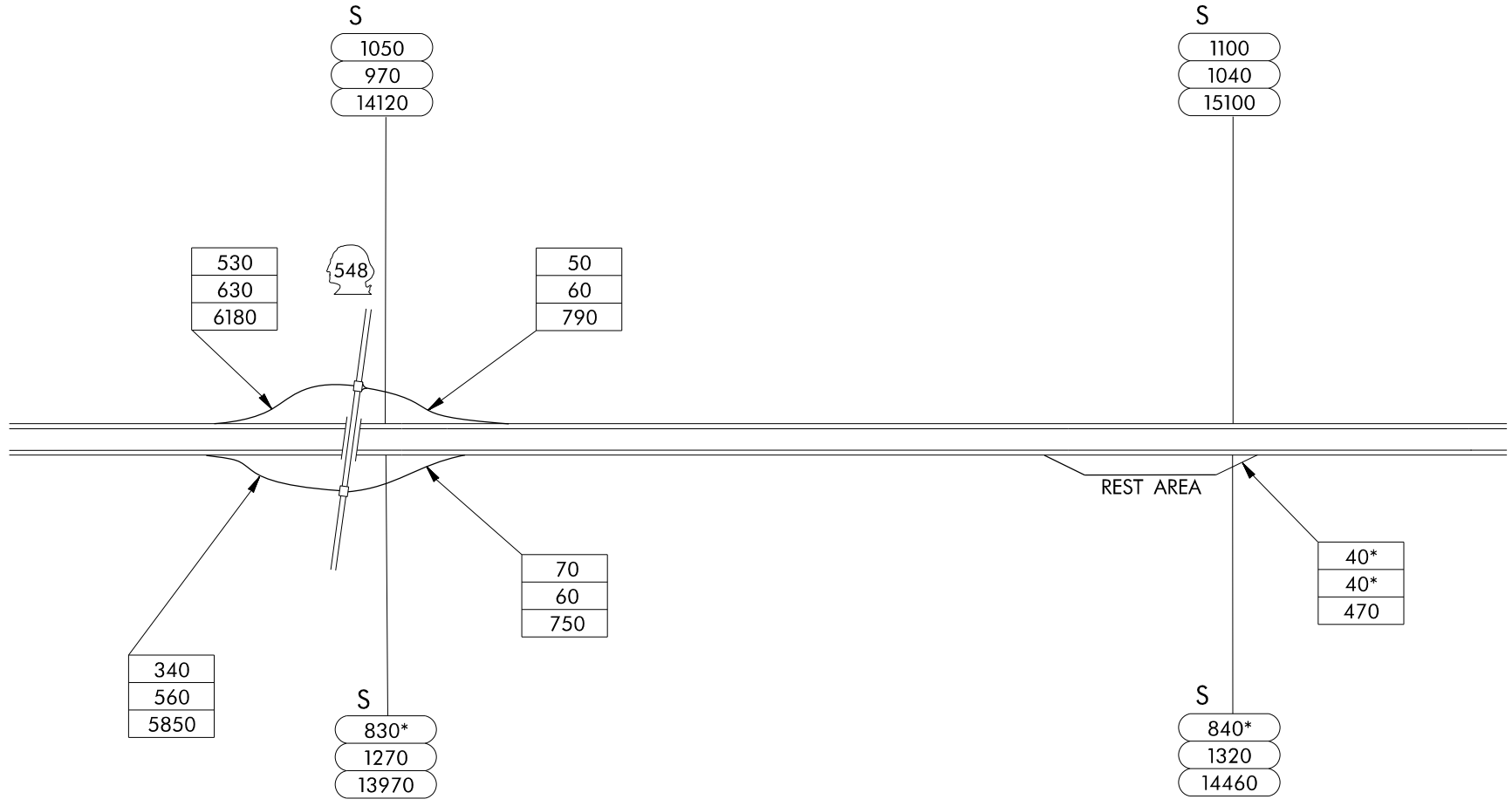
EXIT 263
PORTAL WAY



 Washington State Department of Transportation		6 OF 10
--	---	---------------

EXIT 266
 SR 548
 GRANDVIEW RD

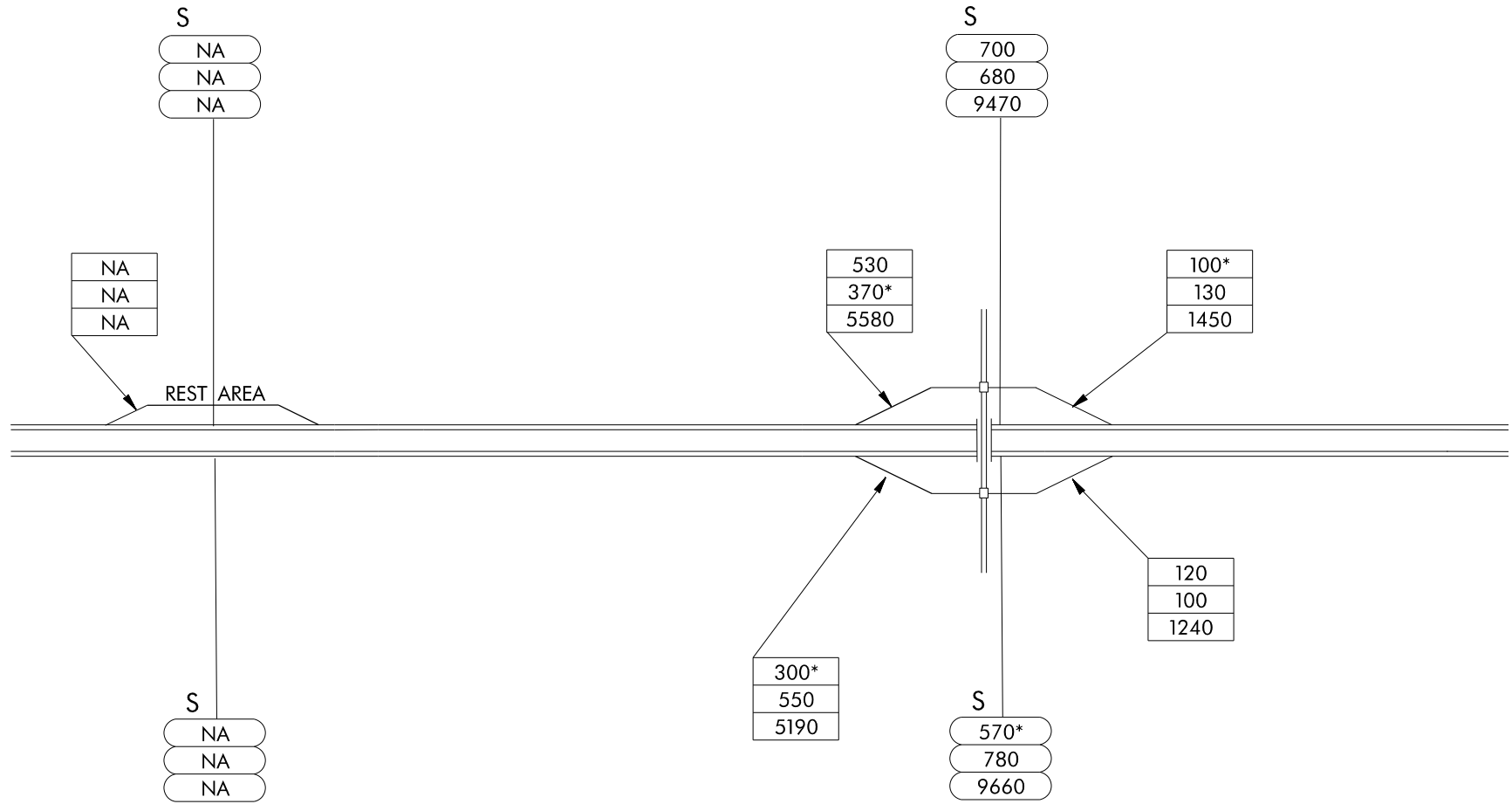
NORTHBOUND CUSTER REST AREA



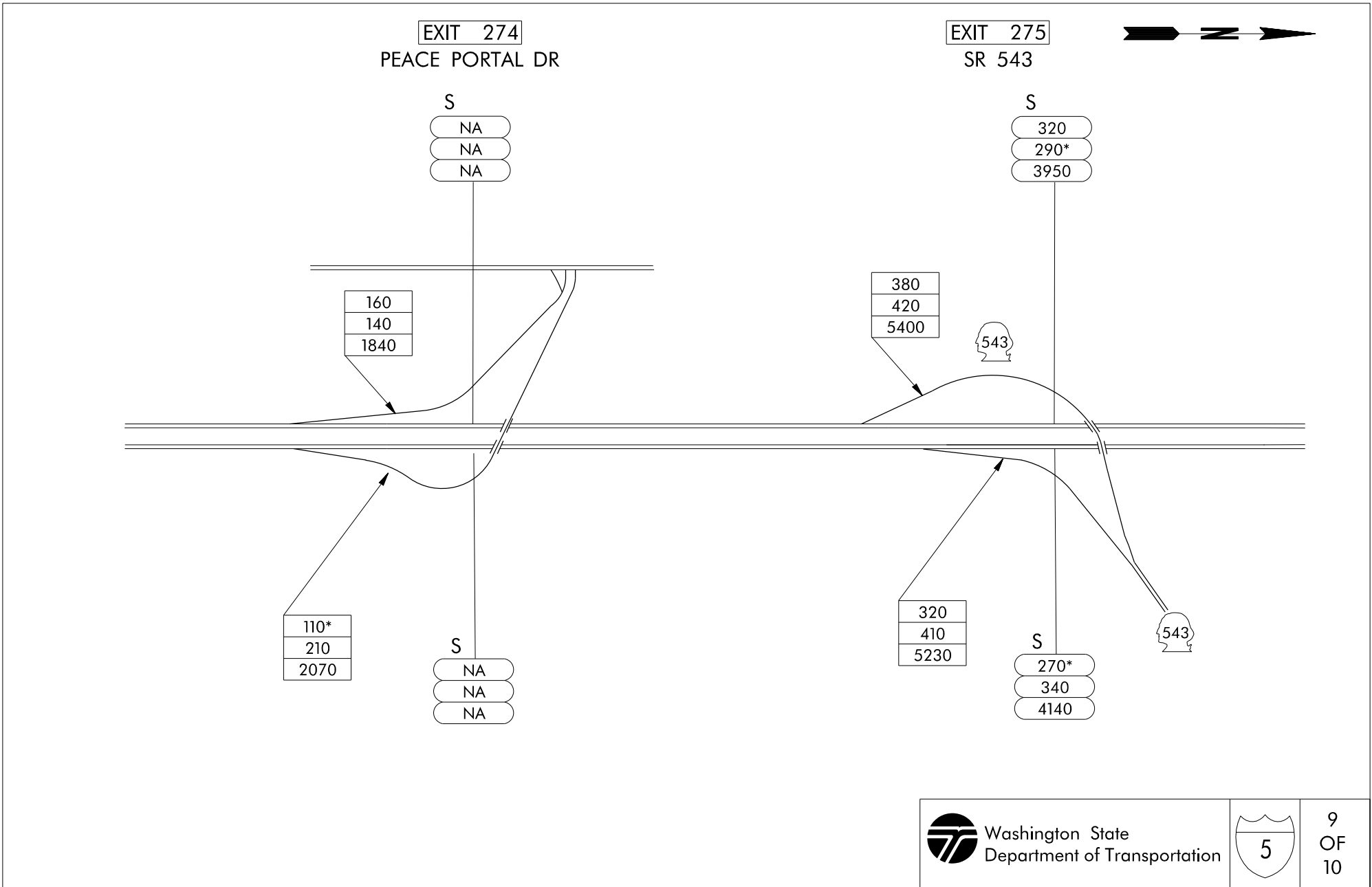
	Washington State Department of Transportation		7 OF 10
--	--	--	---------------

SOUTHBOUND CUSTER REST AREA

EXIT 270
BIRCH BAY LYNDEN RD



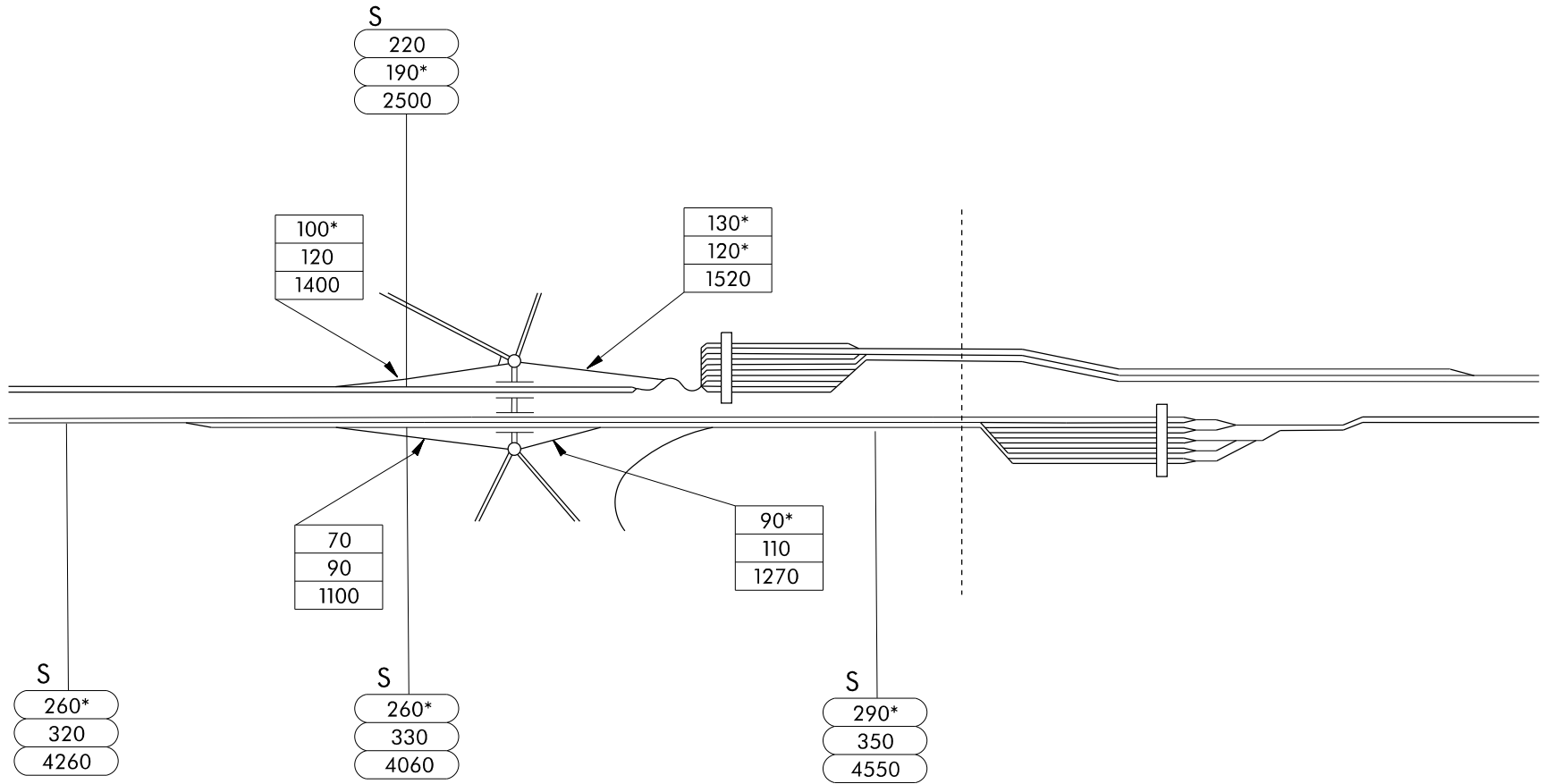
 Washington State Department of Transportation		8 OF 10
--	---	---------------



EXIT 276

D ST

US/CANADIAN BORDER



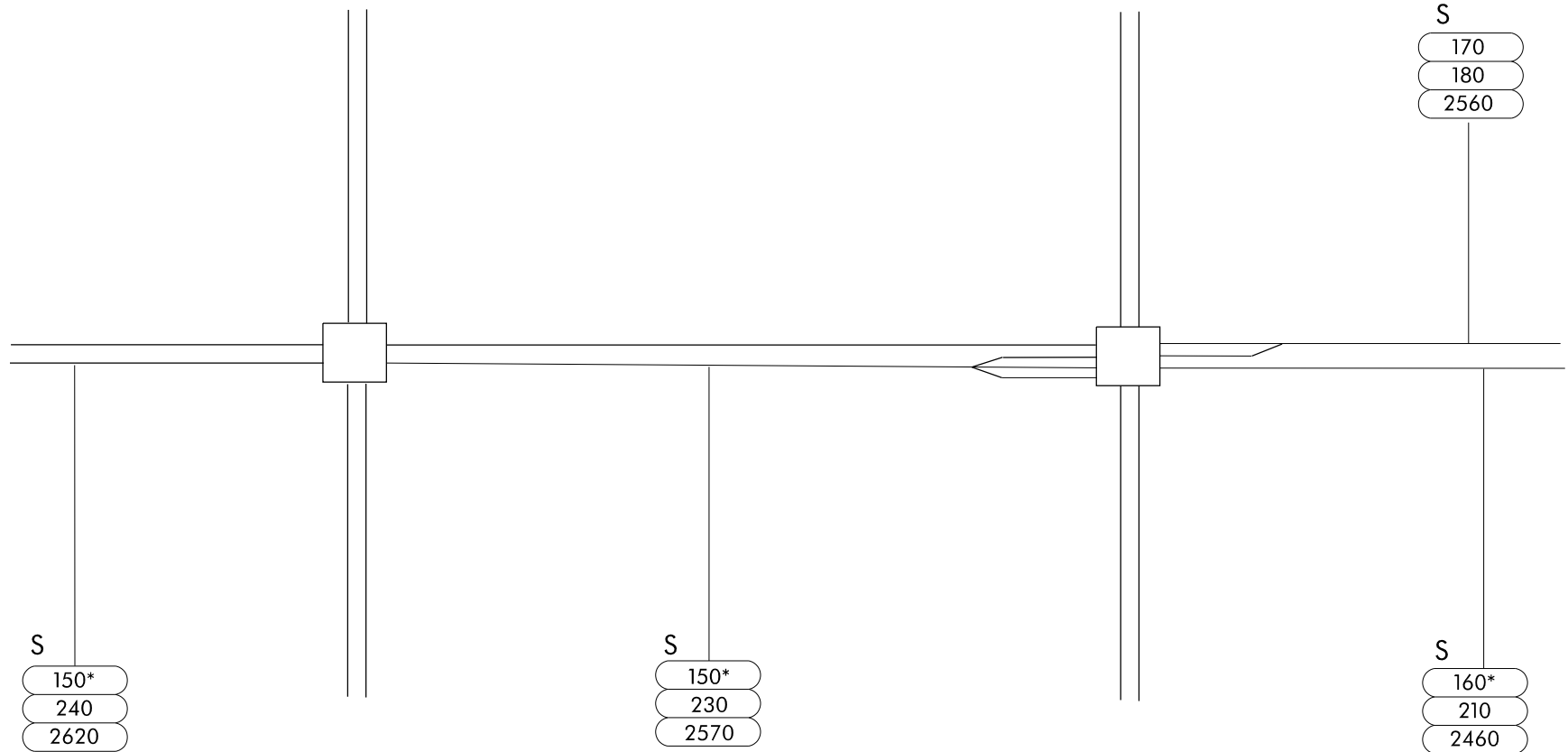
Washington State
Department of Transportation



10
OF
10

SUMAS AVE

FRONT ST



Washington State
Department of Transportation



1
OF
3



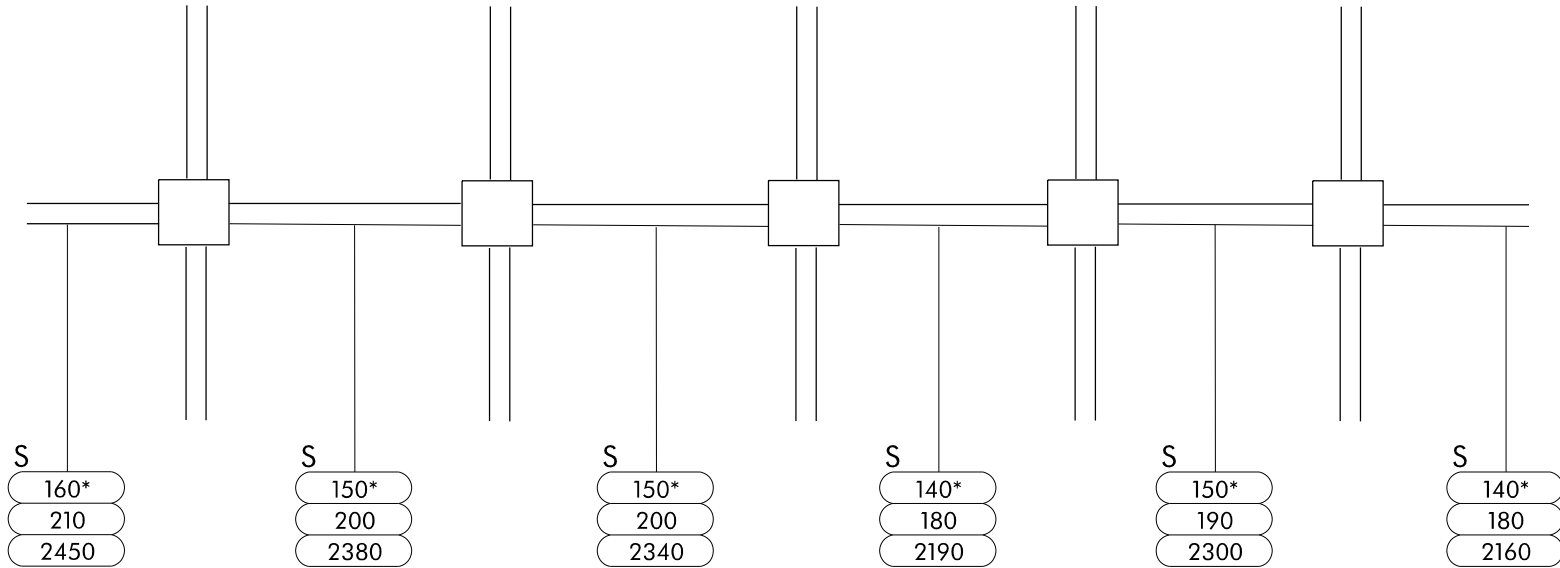
VANCOUVER ST

COLUMBIA ST

3RD ST

2ND ST

1ST ST



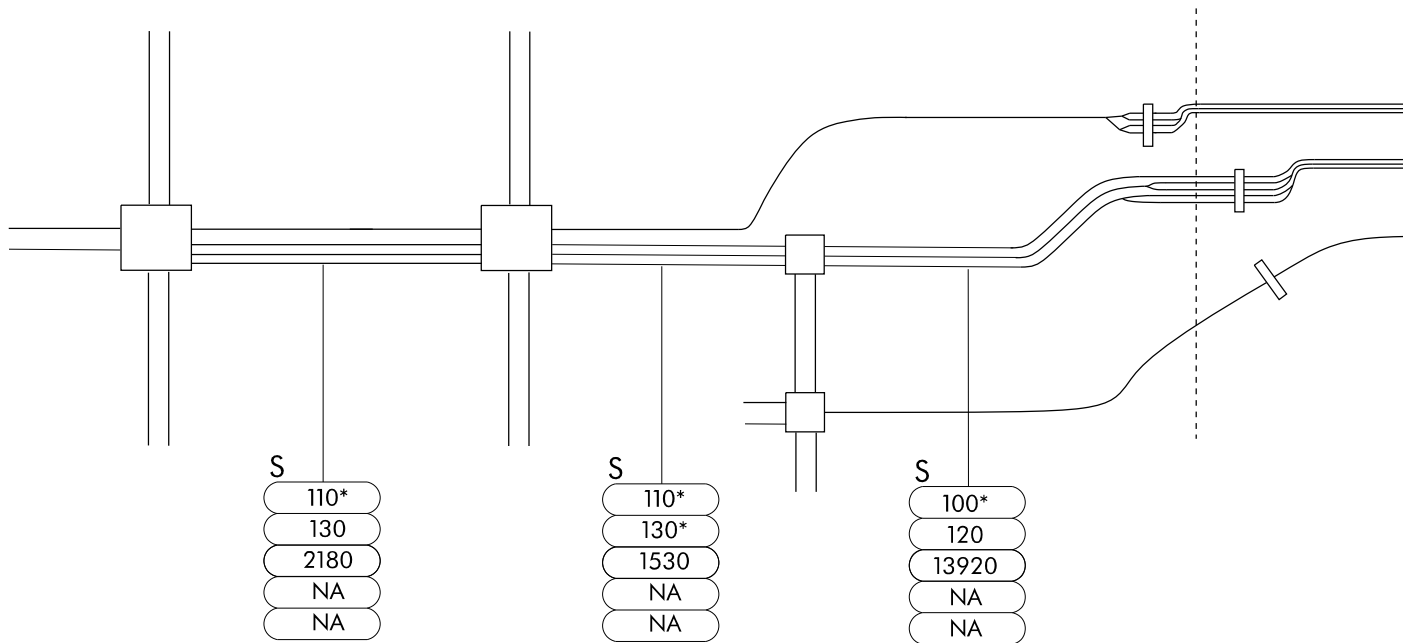


GARFIELD AVE

CLEVELAND ST

HARRISON ST

US/CANADIAN BORDER

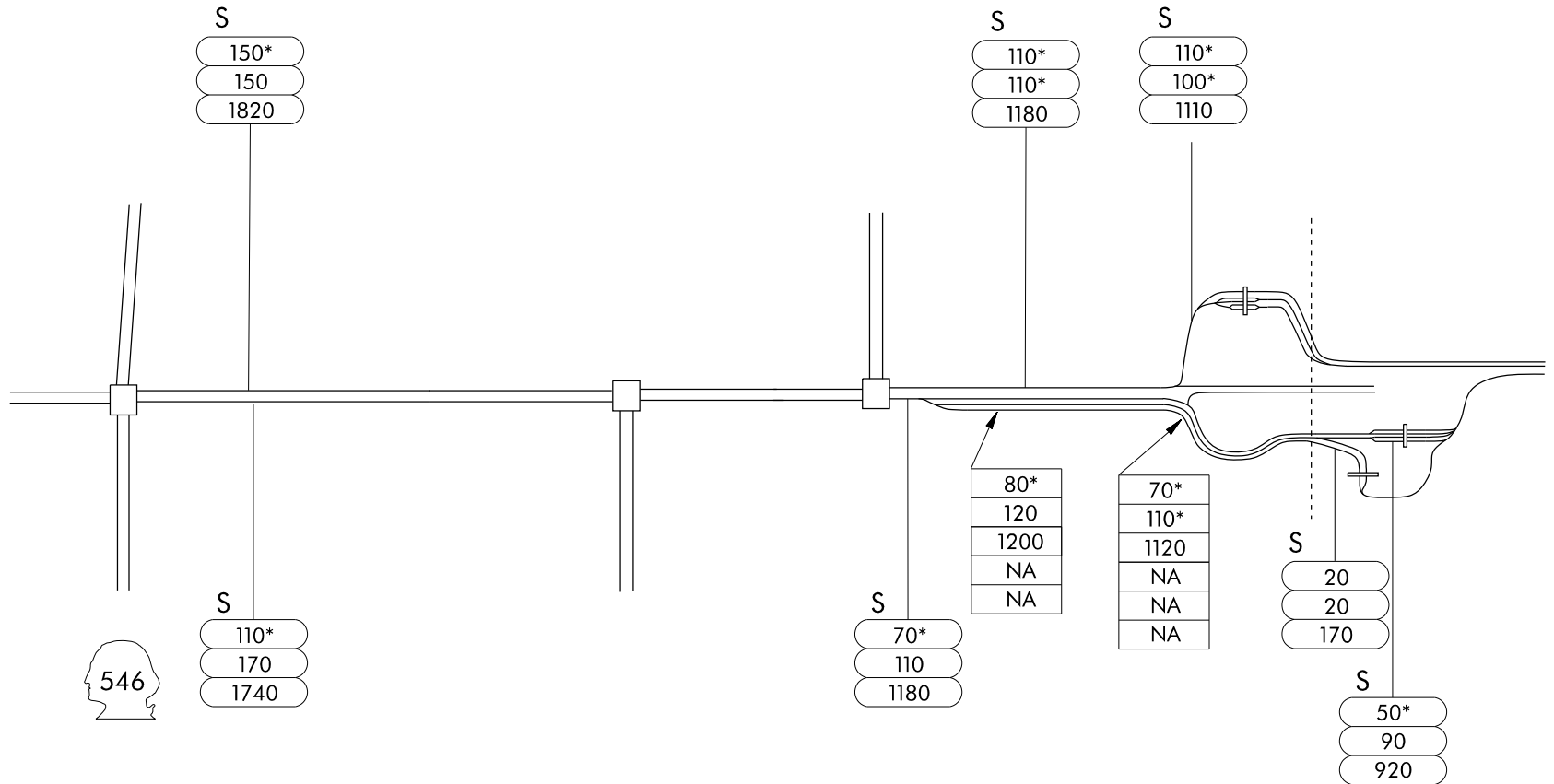


BADGER RD

E PRAIRIE RD

H ST

US/CANADIAN BORDER



Washington State
Department of Transportation



1
OF
1

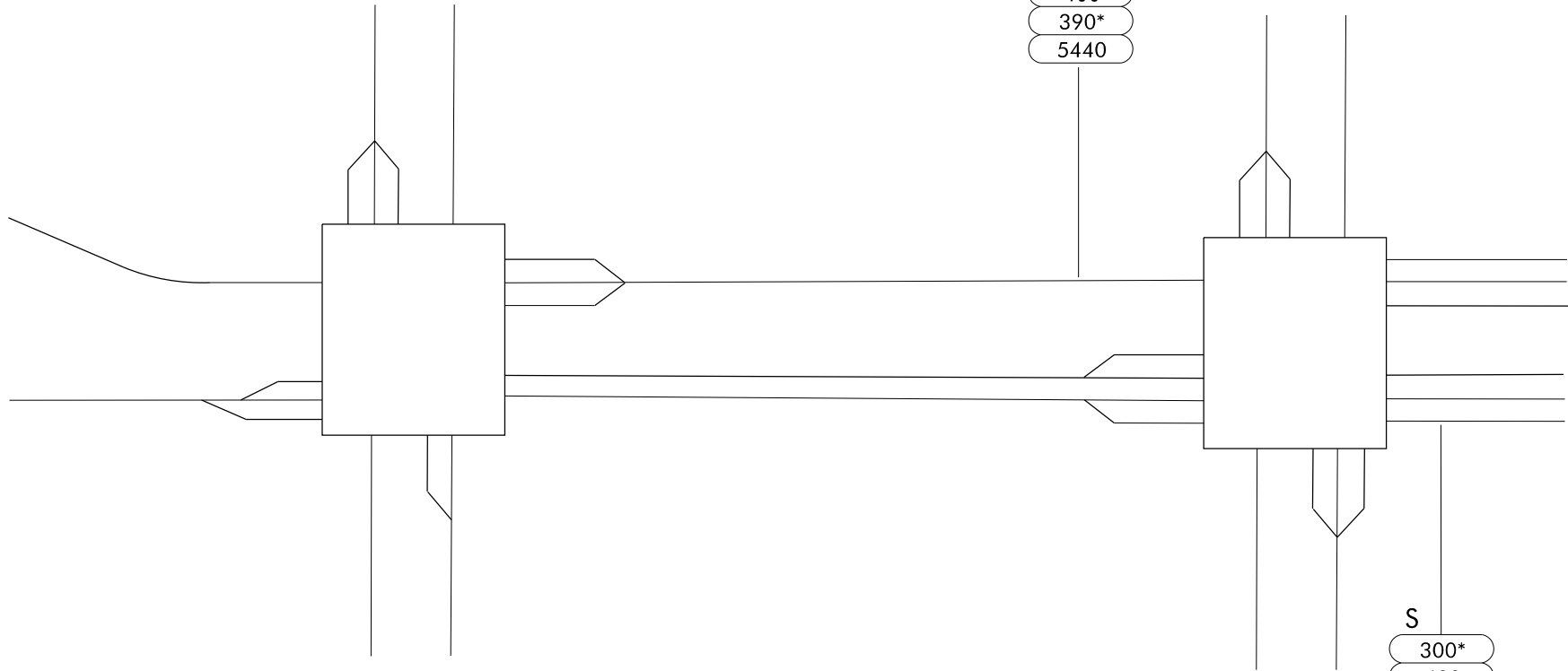
BOBLETT ST

H ST



S
400
390*
5440

S
300*
400
5000

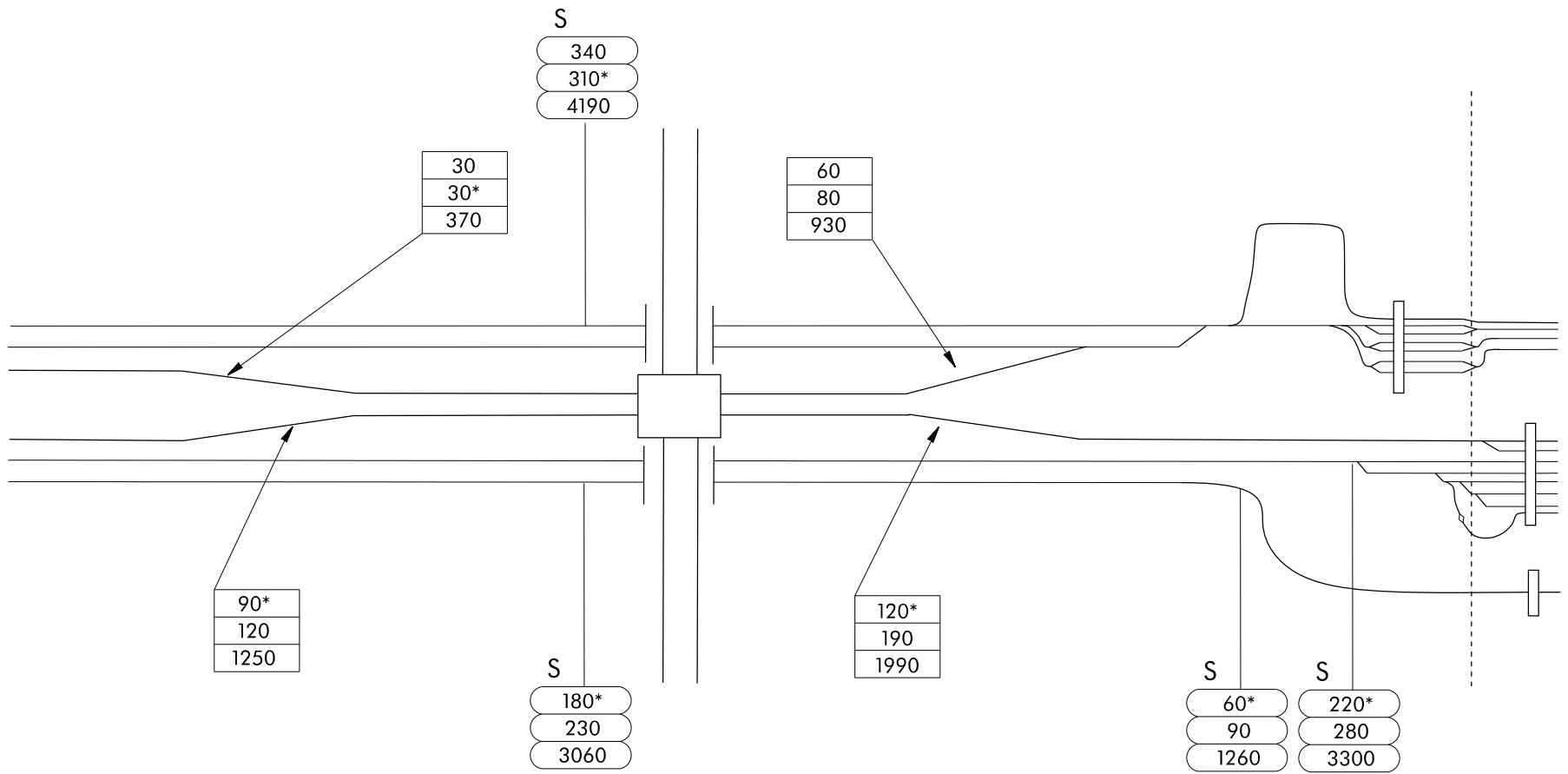


 Washington State Department of Transportation	 543	1 OF 2
--	---	--------------



US/CANADIAN BORDER

D ST



Washington State
Department of Transportation



543

2
OF
2

APPENDIX

For this 2023 traffic volume summary report, the standard AM and PM peak periods are defined as 6:00 AM to 10:00 AM and 2:00 PM to 7:00 PM, respectively. Listed below are the ramp, collector distributor (CD), and mainline stations in which the AM and/or PM peak hourly volumes began outside the above peak periods. They are arranged by types and directions.

Route	Sheet No.	Location	AM	PM
I-5	1 of 10	005es25181:_MN_X_1	11:00 AM	-
		005es25181:_MS_O_1	11:00 AM	-
		005es25223:MMN_Stn	11:00 AM	-
		005es25297:_MN_O_1	11:00 AM	-
		005es25297:_MS_X_2	11:00 AM	-
	2 of 10	005es25369:_MN_Stn	11:00 AM	-
		005es25369:_MN_P_1	11:00 AM	-
		005es25495:_MN_Stn	11:00 AM	-
		005es25495:_MN_O_1	11:00 AM	-
		005es25495:_MS_X_1	11:00 AM	-
	3 of 10	005es25636:_MN_Stn	11:00 AM	-
		005es25636:_MN_O_1	11:00 AM	-
		005es25636:_MN_X_1	-	1:00 PM
		005es25636:_MN_X_2	11:00 AM	-
		005es25636:_MS_O_1	11:00 AM	-
		005es25636:_MS_O_2	11:00 AM	-
		005es25709:_MN_Stn	11:00 AM	-
		005es25709:_MN_O_1	11:00 AM	-
		005es25709:_MN_O_2	11:00 AM	-
	4 of 10	005es25753:_MN_Stn	11:00 AM	-
		005es25753:_MN_X_1	11:00 AM	-
		005es25753:_MS_O_1	11:00 AM	-
		005es25799:_MN_Stn	11:00 AM	-
		005es25799:_MS_X_1	11:00 AM	-
		005es25857:_MN_Stn	11:00 AM	-
	5 of 10	005es26001:_MN_Stn	11:00 AM	-
		005es26001:_MN_O_1	11:00 AM	-
	6 of 10	005es26269:_MN_Stn	11:00 AM	-
		005es26269:_MN_O_1	11:00 AM	-
		005es26269:_MN_X_1	11:00 AM	-
		005es26269:_MS_X_1	11:00 AM	-
		005es26362:_MN_Stn	11:00 AM	-
		005es26362:_MN_X_1	11:00 AM	-
7 of 10	005es26611:_MN_Stn	11:00 AM	-	
	005es26771:_MN_Stn	11:00 AM	-	
	005es26771:_MN_O_1	11:00 AM	12:00 PM	
8 of 10	005es27023:_MN_Stn	11:00 AM	-	
	005es27023:_MN_X_1	11:00 AM	-	

		005es27023:_MS_O_1 005es27023:_MS_X_1	- 11:00 AM	12:00 PM -					
	9 of 10	005es27414:_MN_Stn 005es27414:_MN_X_1 005es27512:_MN_Stn 005es27512:_MS_Stn	11:00 AM 11:00 AM 11:00 AM -	- - - 12:00 PM					
	10 of 10	005es07547:_MN_Stn 005es27612:_MN_Stn 005es27612:_MN_O_1 005es27612:_MN_O_2 005es27612:_MS_Stn 005es27612:_MS_O_1 005es27612:_MS_X_1 005es27650:_MN_Stn	11:00 AM 11:00 AM 11:00 AM 11:00 AM - 11:00 AM 11:00 AM 11:00 AM	- - - - 12:00 PM - 12:00 PM -					
SR 9	1 of 3	009es09750:1MN__1 009es09750:2MN__1 009es09750:3MN__1 009es09750:_MS__1	11:00 AM 11:00 AM 11:00 AM 11:00 AM	- - - -					
		2 of 3	009es09781:1MN__1 009es09781:2MN__1 009es09781:3MN__1 009es09781:4MN__1 009es09781:5MN__1 009es09781:6MN__1	11:00 AM 11:00 AM 11:00 AM 11:00 AM 11:00 AM 11:00 AM	- - - - - -				
			3 of 3	009es09816:1MN__1 009es09816:1MN__2 009es09816:2MN__1 009es09816:2MN__2 009es09816:2MN__3 009es09816:3MN__1 009es09816:3MN__3	11:00 AM 11:00 AM 11:00 AM 11:00 AM 11:00 AM 11:00 AM 11:00 AM	- - - - - - -			
				SR 539	1 of 1	539es01256:_MN__1 539es01256:_MS__1 539es01466:1MN__1 539es01466:2MN__1 539es01466:2MN__2 539es01466:2MN__3 539es01466:_MS__1 539es01509:4MN__1 539es01509:4MN__3 539es01509:4MN__4 539es01509:_MS__1 539es01518:UXN_Stn 539es01518:DXN_Stn	11:00 AM 11:00 AM 11:00 AM 11:00 AM 11:00 AM 11:00 AM 11:00 AM - 11:00 AM 11:00 AM 11:00 AM - 11:00 AM	- - - - - - 12:00 PM 1:00 PM - - 12:00 PM 1:00 PM -	
	SR 543					1 of 2	543es00056:_MN_Stn 543es00056:_MS__1	11:00 AM 11:00 AM	- 12:00 PM
							2 of 2	543es00081:_MN_Stn	11:00 AM

	543es00081:_MN_X_1	11:00 AM	-
	543es00081:_MS_Stn	-	12:00 PM
	543es00081:_MS_O_1	11:00 AM	-
	543es00081:_MS_X_1	11:00 AM	-
	543es00098:_MN_Stn	11:00 AM	-
	543es00099:_MN_Stn	11:00 AM	-