

Good To Go! License Plate Pass

Installation Instructions

Welcome to Good To Go!

Good To Go![™] electronic tolling is the fastest way to save money on all toll roads in the state of Washington.

Auto replenishment is the best way to ensure your **Good To Go!** account never runs out of money. It's easy to set up your **Good To Go!** account so that your bank account or credit card is automatically charged with a preset replenishment amount when your account balance gets low. You will receive a monthly email with a link to your account statement, and can check your most recent account activity online or by phone at any time. With auto replenishment you're always **Good To Go!**

The **Good To Go!**[™] License Plate Pass is for exterior use and should be installed on your vehicle's front bumper using the same space as the license plate holder.

Required Supplies:

The **Good To Go!** License Plate Pass • Screwdriver (flat head or Phillips depending on your vehicle's license plate mounting screws).

1 Remove:

Remove the screws from the license plate area of your **front** bumper. If your vehicle does not have mounting screws, you will need two self-tapping threaded screws.

2 Pass:

Hold the pass so that the etched lettering is facing you and the mounting holes are to the top, as shown in *Figure 1*.

3 Position:

Position the pass so it covers the top area of the vehicle's license plate. The license plate should be between the pass and the vehicle bumper (*Figure 2*). Align the pass screw holes with the holes for your license plate holder.

4 Fasten:

Fasten the pass to the bumper using the license plate mounting screws (*Figure 3*).

NOTE: If your vehicle does not have a front license plate, install the pass in the area where the license plate would normally be mounted. If your vehicle does not have a front license plate area, contact Customer Service for other pass options (1-866-936-8246).



Good To Go! License Plate Pass

figure 1

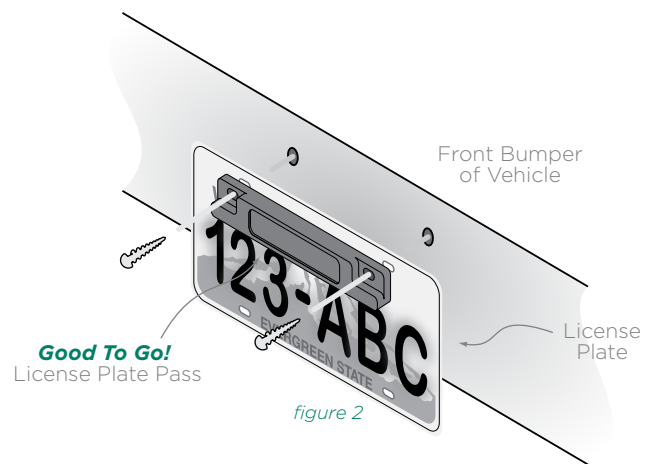


figure 2



figure 3

Questions?

Visit us online at wsdot.gov/GoodToGo, or call the Customer Service Center at 1-866-936-8246.

Good To Go! License Plate Pass

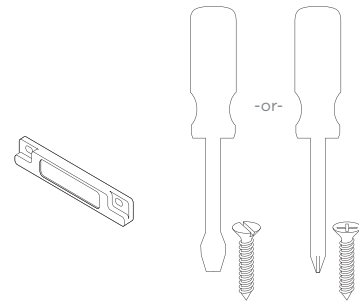
Installation Instructions



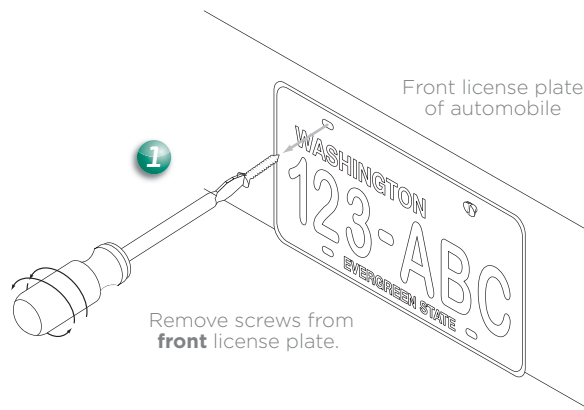
The **Good To Go!**™ License Plate Pass should be installed on your vehicle's front bumper in the same space as the license plate holder.

Required Supplies

- The **Good To Go!** License Plate Pass
- Screwdriver (flat head or Phillips depending on your vehicle's license plate mounting screws).

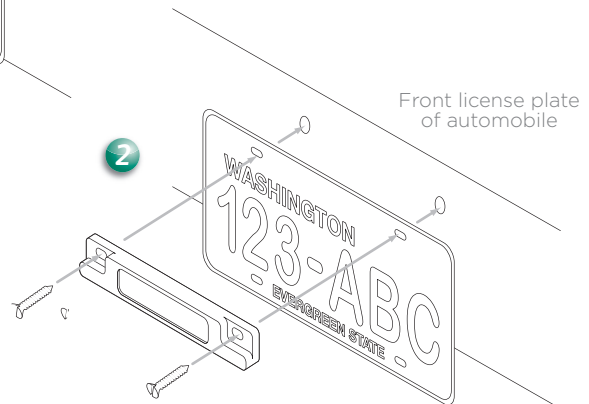


1 Remove

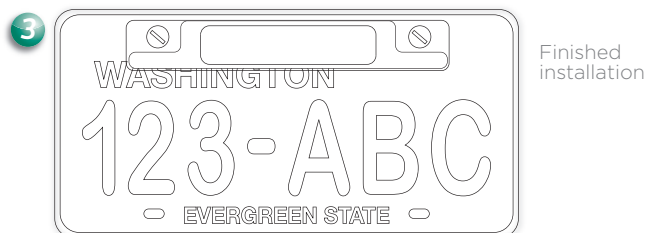


Remove screws from front license plate.

2 Position



3 Fasten



NOTE: If your vehicle does not have a front license plate, install the pass in the area where the license plate would normally be mounted. If your vehicle does not have a front license plate area, contact Customer Service for other pass options (1-866-936-8246).

Questions?

Visit us online at wsdot.gov/GoodToGo, or call the Customer Service Center at 1-866-936-8246.