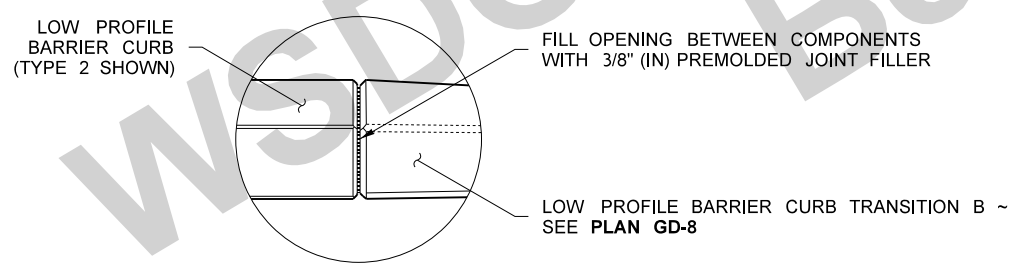
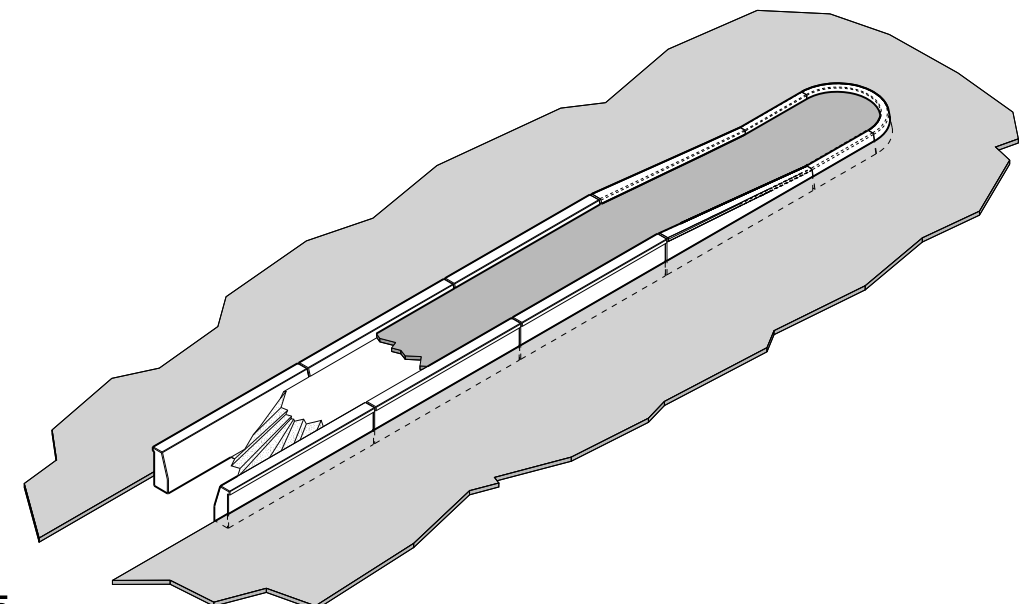


NOTE
 1. FOR BACKFILL AND SURFACE TREATMENT, SEE CONTRACT.




TYPICAL JOINT DETAIL



ISOMETRIC

LOW PROFILE BARRIER CURB PLACEMENT ~ CASE 5

FILE NAME S:\Design R P& S\4-Standards\2-Plan Sheet Library\01-Published PSL\TB Traffic Barrier\TB-21\TB-21.dgn		REGION NO.		STATE	FED.AID PROJ.NO.		Plot 1
TIME 3:40:28 PM			WASH			PLAN REF NO	
DATE 5/19/2020							TB-21
PLOTTED BY liddelf				JOB NUMBER			SHEET 1
DESIGNED BY							OF 1
ENTERED BY				CONTRACT NO.	LOCATION NO.		SHEETS
CHECKED BY							
PROJ. ENGR.							
REGIONAL ADM.	REVISION	DATE	BY				


 Washington State
 Department of Transportation

DATE _____
 P.E. STAMP BOX

DATE _____
 P.E. STAMP BOX

LOW PROFILE BARRIER CURB DETAILS