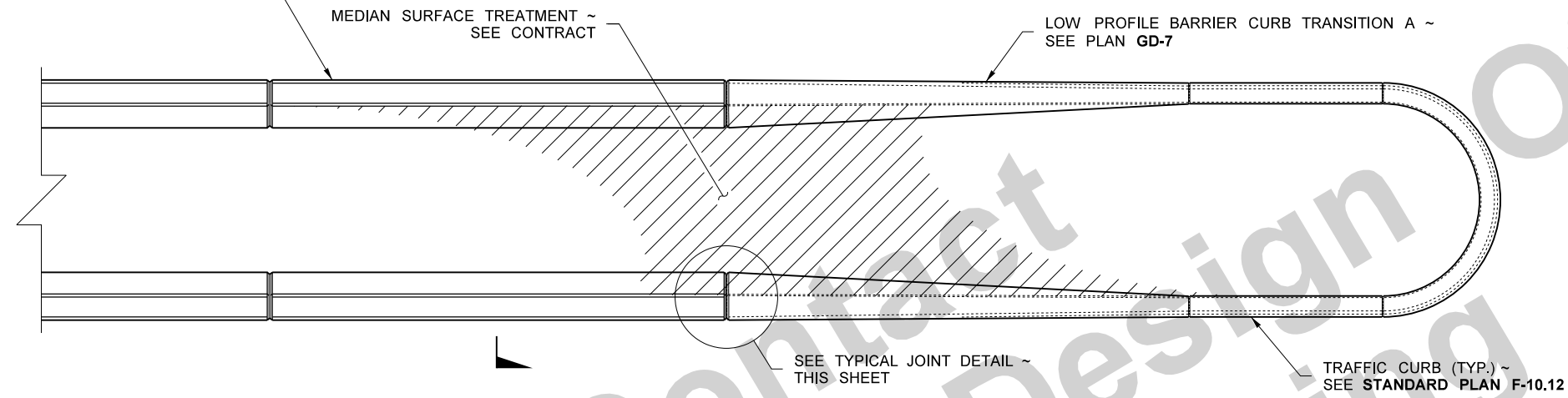
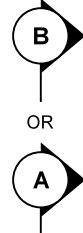
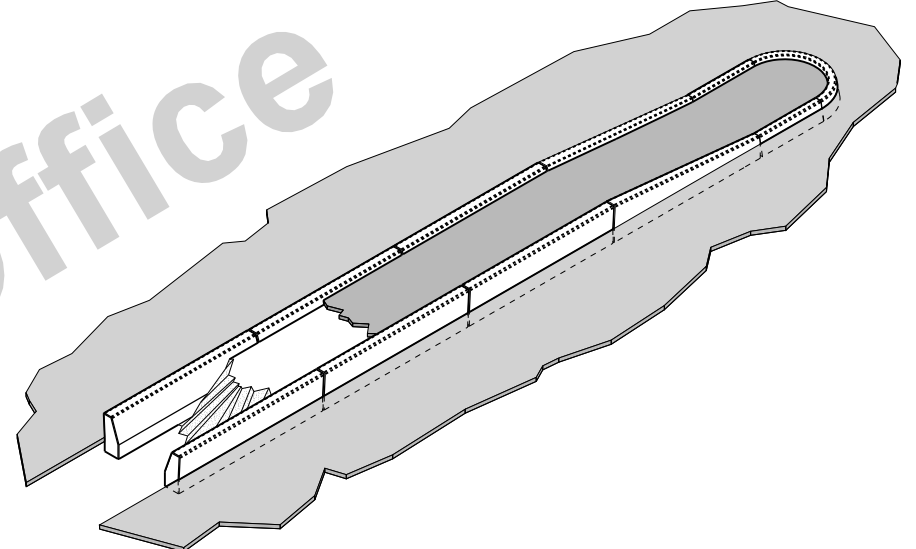


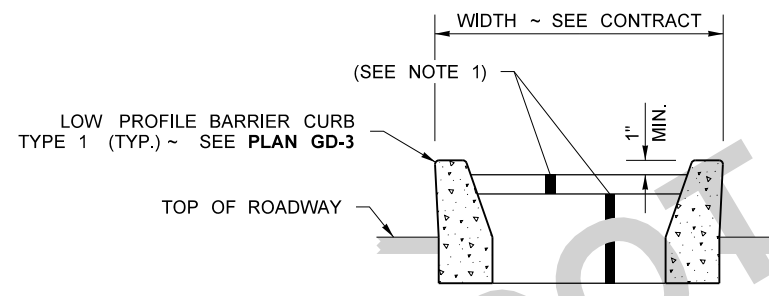
LOW PROFILE BARRIER CURB (TYP.) ~
CURB TYPE 1 ~ SEE PLAN GD-3
OR
CURB TYPE 3 ~ SEE PLAN GD-5
(TYPE 1 SHOWN)



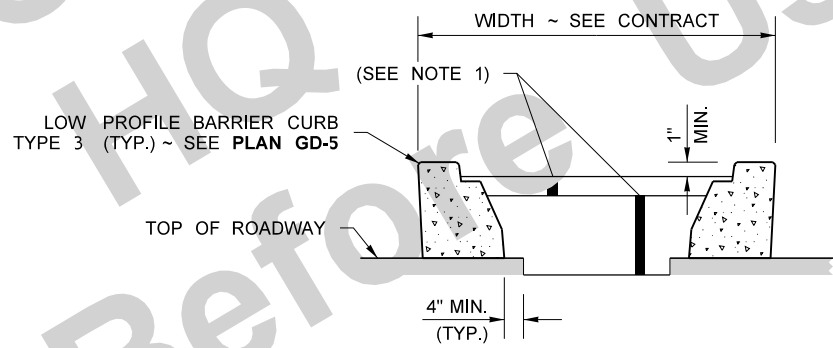
PLAN



LOW PROFILE BARRIER CURB TYPE 1 WITH TRAFFIC CURB ISOMETRIC



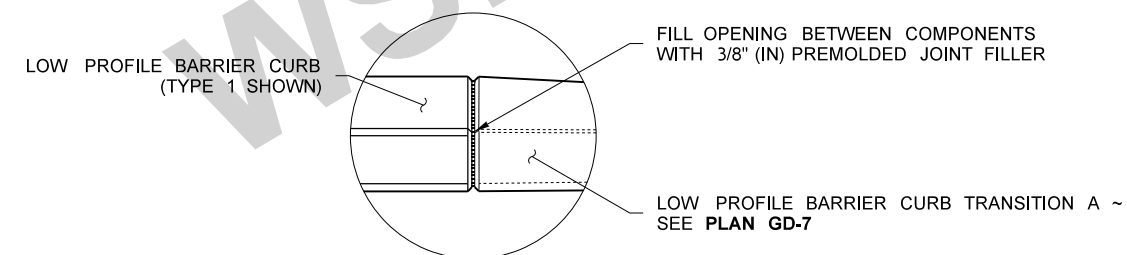
SECTION A



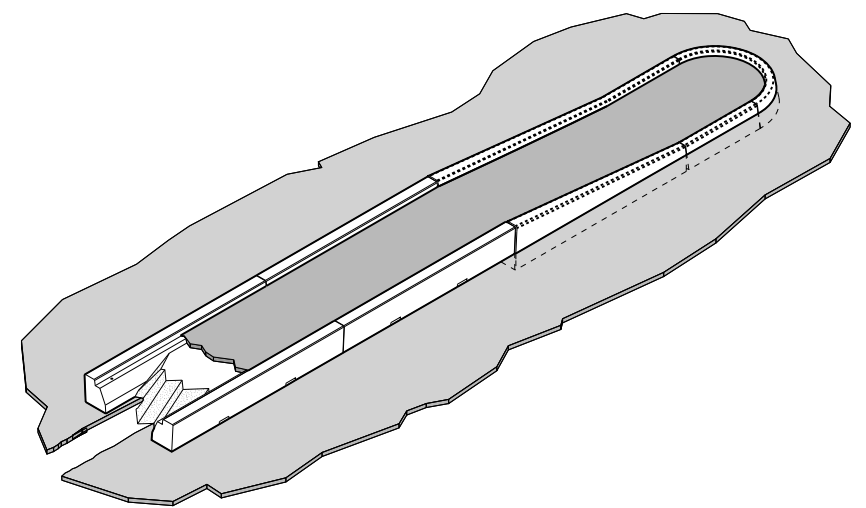
SECTION B

NOTE

- FOR BACKFILL AND SURFACE TREATMENT, SEE CONTRACT.



TYPICAL JOINT DETAIL



LOW PROFILE BARRIER CURB TYPE 3 WITH TRAFFIC CURB ISOMETRIC

LOW PROFILE BARRIER CURB PLACEMENT ~ CASE 3

FILE NAME S:\Design R P& S\4-Standards\2-Plan Sheet Library\01-Published PSL\TB Traffic Barrier\TB-20\TB-20.dgn		REGION NO.		STATE	FED.AID PROJ.NO.		DATE		DATE		Plot 1
TIME	3:12:59 PM	WASH					P.E. STAMP BOX		P.E. STAMP BOX		PLAN REF NO
DATE	5/19/2020										TB-20
PLOTTED BY	liddelf										SHEET
DESIGNED BY											1
ENTERED BY											OF
CHECKED BY											1
PROJ. ENGR.											SHEETS
REGIONAL ADM.		REVISION	DATE	BY							LOW PROFILE BARRIER CURB DETAILS

