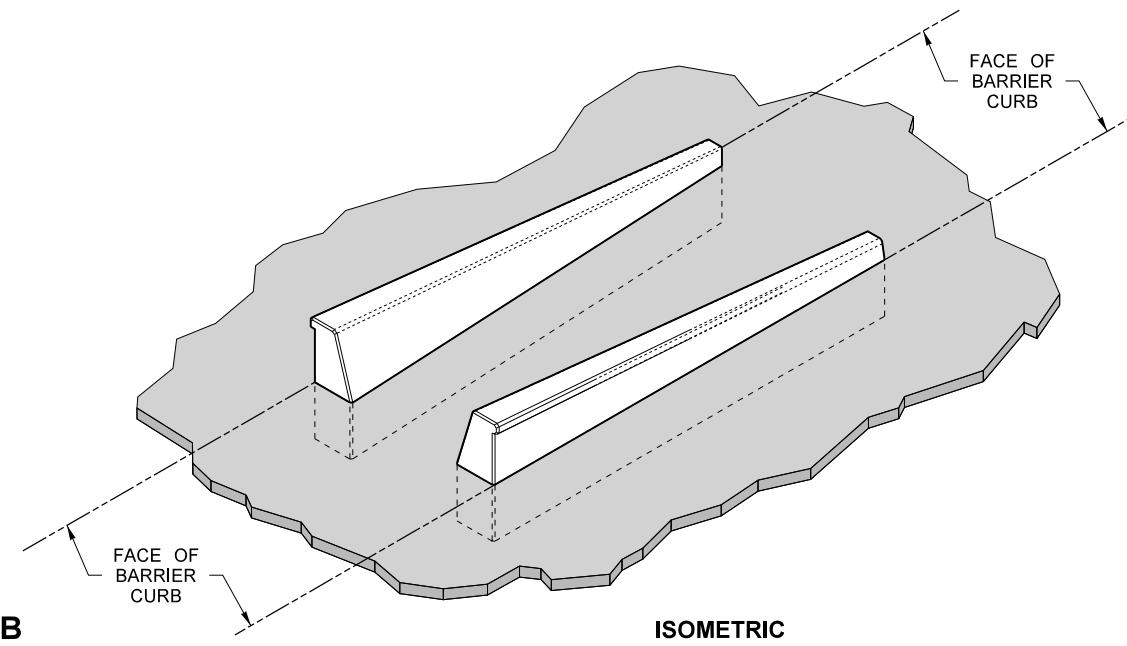


SECTION A
(SHOWN AT LIMIT OF TRANSITION)

ELEVATION

SECTION B
(SHOWN AT LIMIT OF TRANSITION)



LOW PROFILE BARRIER CURB TRANSITION B

ISOMETRIC

FILE NAME S:\Design R P& S\4-Standards\2-Plan Sheet Library\01-Published PSL\TB Traffic Barrier\TB-18\TB-18.dgn		REGION NO.		STATE	FED.AID PROJ.NO.	DATE		DATE		Plot 1
TIME	7:12:59 AM	WASH				P.E. STAMP BOX		P.E. STAMP BOX		PLAN REF NO
DATE	5/19/2020									TB-18
PLOTTED BY	liddelf	JOB NUMBER								SHEET
DESIGNED BY		CONTRACT NO.								1
ENTERED BY		LOCATION NO.								OF
CHECKED BY										1
PROJ. ENGR.										SHEETS
REGIONAL ADM.		REVISION	DATE	BY						1



LOW PROFILE BARRIER CURB DETAILS