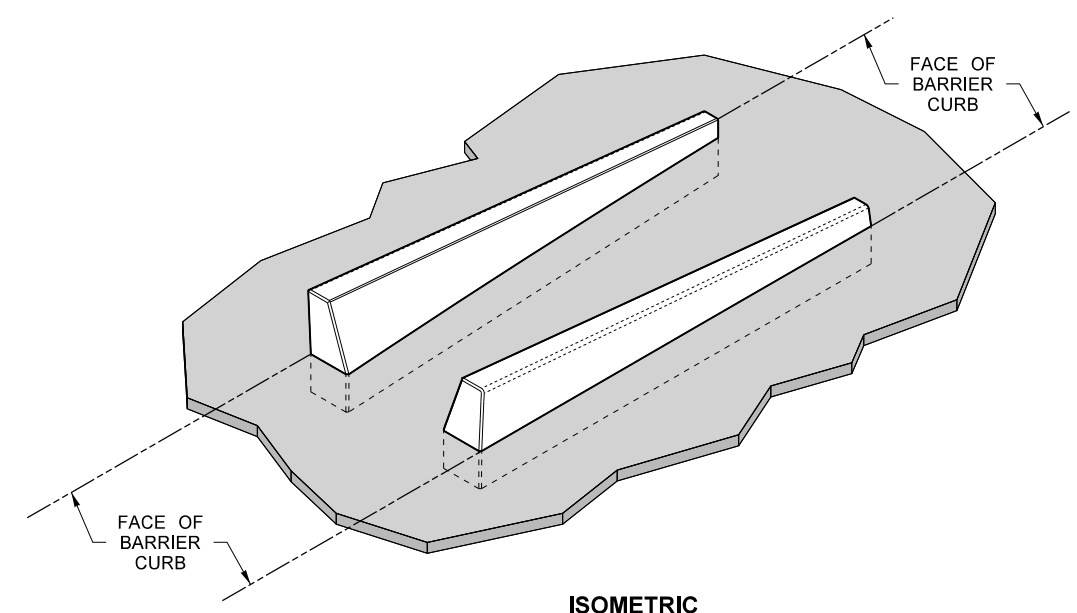


WSDOT HQ Before

Contact Design Using



**LOW PROFILE BARRIER CURB TRANSITION A**

FILE NAME S:\Design R P& S\4-Standards\2-Plan Sheet Library\01-Published PSL\TB) Traffic Barrier\TB-17)TB-17.dgn		REGION NO.		STATE	FED.AID PROJ.NO.	 <b>Washington State Department of Transportation</b>	Plot 1
TIME 6:58:30 AM	DATE 5/19/2020	WASH		JOB NUMBER	PLAN REF NO <b>TB-17</b>		
PLOTTED BY liddelf	DESIGNED BY	CONTRACT NO.		LOCATION NO.	<b>LOW PROFILE BARRIER CURB DETAILS</b>	SHEET 1 OF 1 SHEETS	
ENTERED BY	CHECKED BY	REVISION		DATE		BY	
PROJ. ENGR.	REGIONAL ADM.	DATE		DATE			
		DATE		DATE			