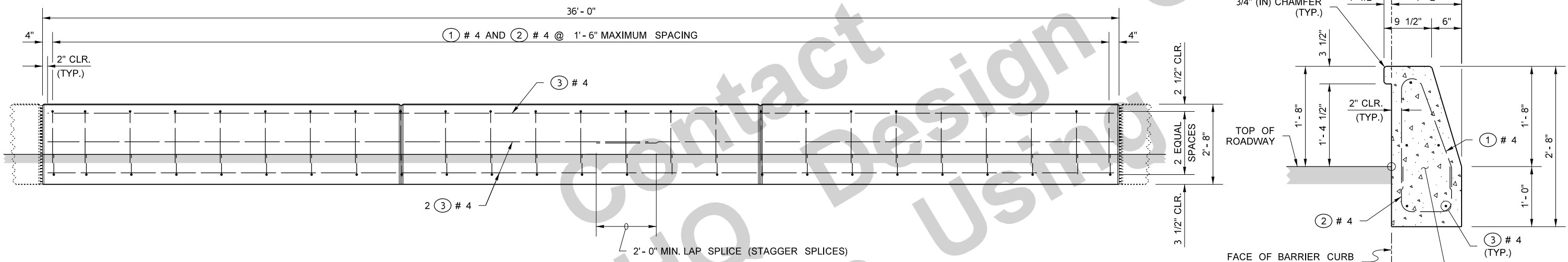
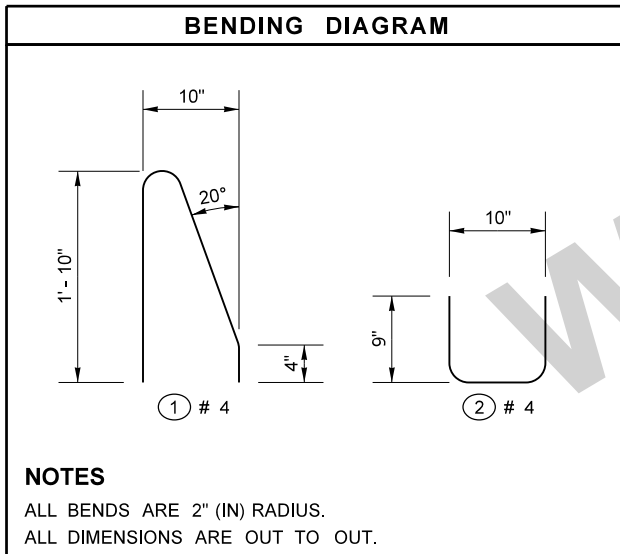


PLAN

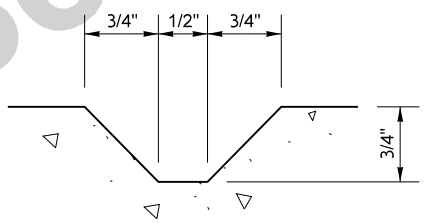


ELEVATION

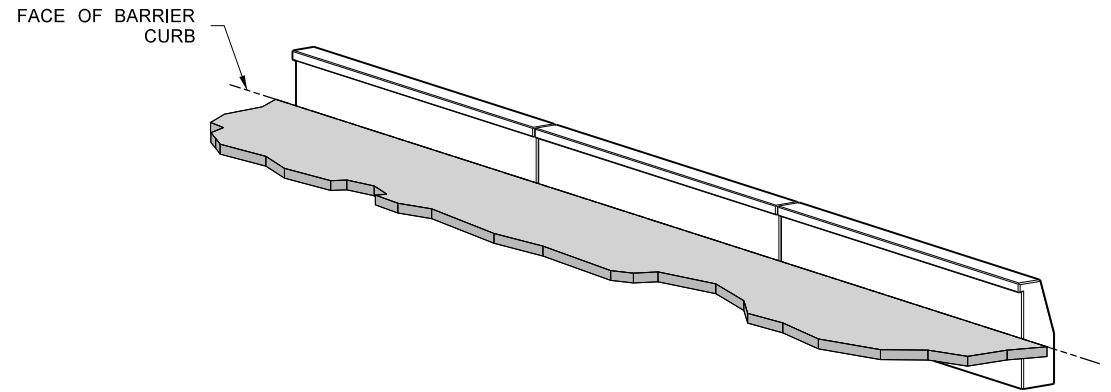
TYPICAL SECTION



NOTES
 ALL BENDS ARE 2" (IN) RADIUS.
 ALL DIMENSIONS ARE OUT TO OUT.



DUMMY JOINT



OBLIQUE VIEW

LOW PROFILE BARRIER CURB TYPE 2 (CAST-IN-PLACE)

FILE NAME	S:\Design R P& S\4-Standards\2-Plan Sheet Library\01-Published PSL\TB) Traffic Barrier\TB-14\TB-14.dgn				REGION NO.	STATE	FED.AID PROJ.NO.	Washington State Department of Transportation	Plot 1
TIME	2:33:49 PM				WASH		PLAN REF NO		
DATE	5/18/2020				JOB NUMBER			TB-14	
PLOTTED BY	liddelf				CONTRACT NO.		LOCATION NO.		SHEET
DESIGNED BY									1
ENTERED BY									OF
CHECKED BY									1
PROJ. ENGR.									SHEETS
REGIONAL ADM.	REVISION	DATE	BY		P.E. STAMP BOX	DATE	P.E. STAMP BOX	DATE	LOW PROFILE BARRIER CURB DETAILS