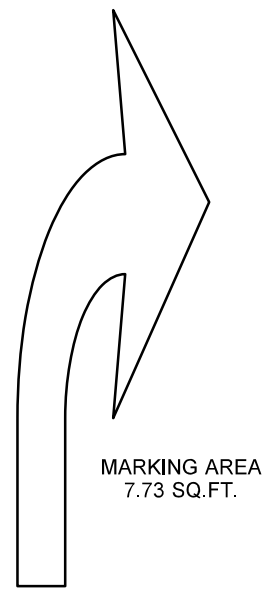


**TYPE 1S
TRAFFIC ARROW**

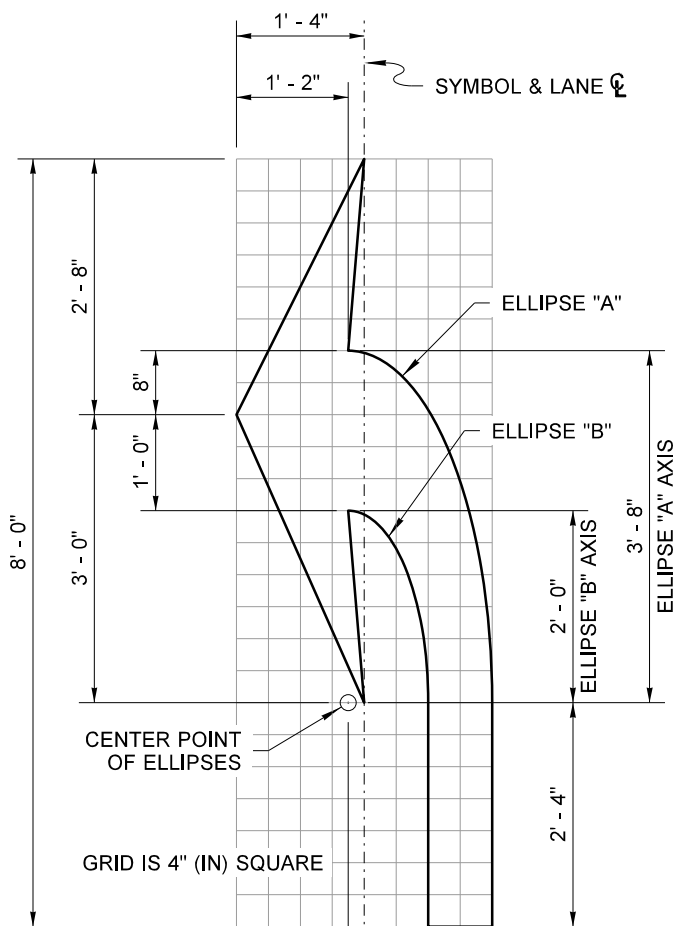
MARKING AREA
8.03 SQ.FT.



MARKING AREA
7.73 SQ.FT.

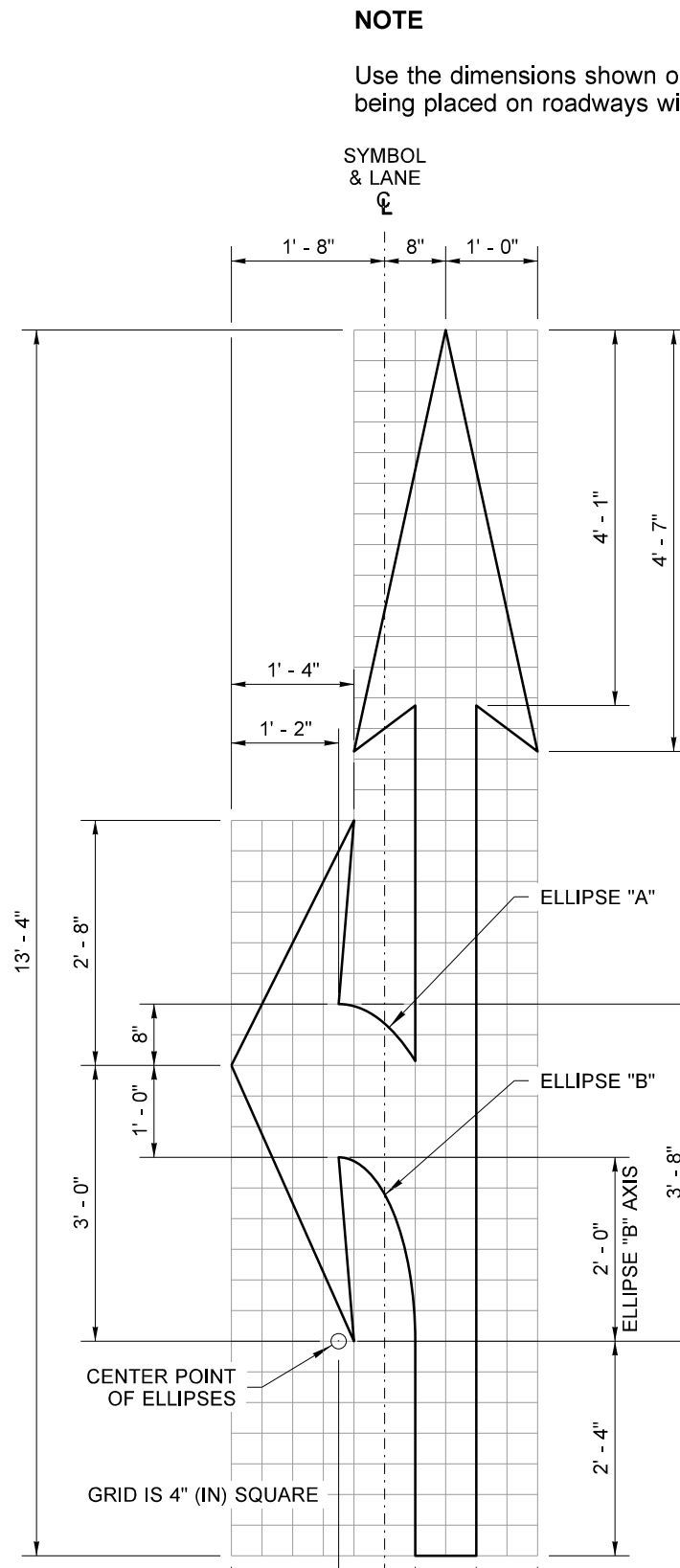
**TYPE 2SR (RIGHT)
TRAFFIC ARROW**

MIRROR IMAGE OF
TYPE 2SL TRAFFIC ARROW
(SHOWN AT REDUCED SCALE)



MARKING AREA
7.73 SQ.FT.

TYPE 2SL (LEFT) TRAFFIC ARROW

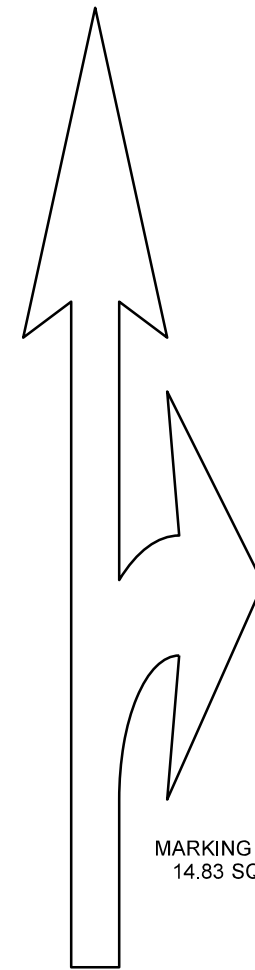


MARKING AREA
14.83 SQ.FT.

TYPE 3SL (LEFT) TRAFFIC ARROW

NOTE

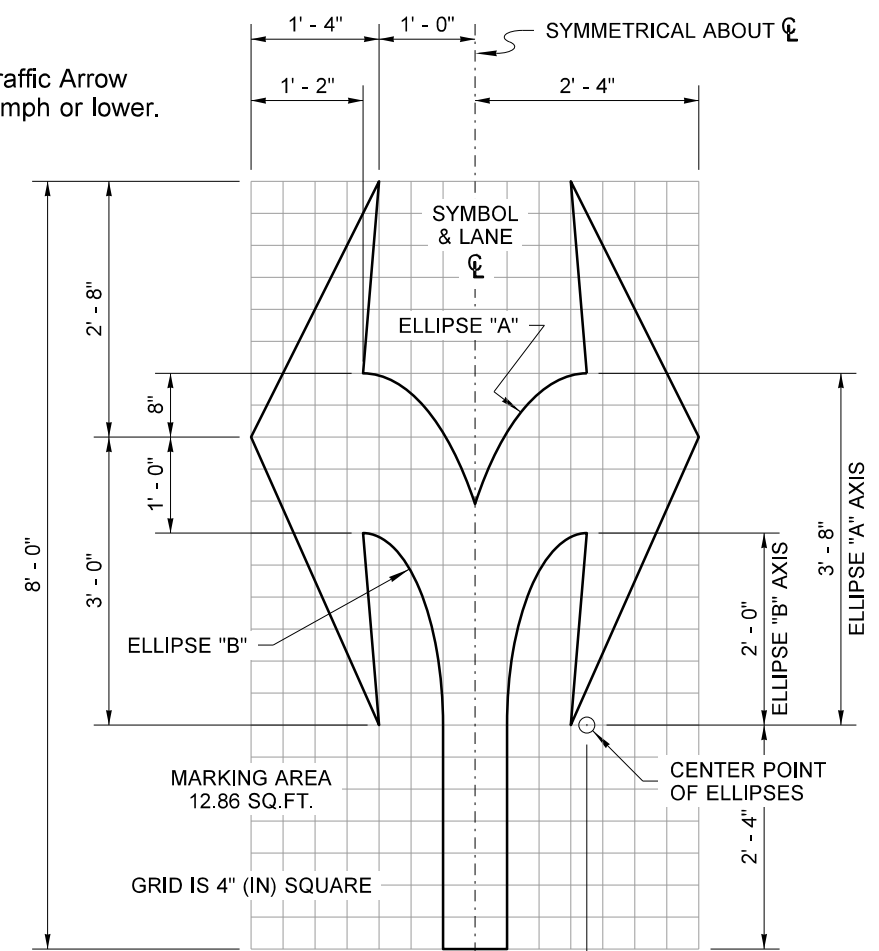
Use the dimensions shown on this plan for each type of Traffic Arrow being placed on roadways with a posted speed limit of 40 mph or lower.



MARKING AREA
14.83 SQ.FT.

**TYPE 3SR (RIGHT)
TRAFFIC ARROW**

MIRROR IMAGE OF
TYPE 3SL TRAFFIC ARROW
(SHOWN AT REDUCED SCALE)



MARKING AREA
12.86 SQ.FT.

**TYPE 4S
TRAFFIC ARROW**

DRAWN BY: COLBY FLETCHER

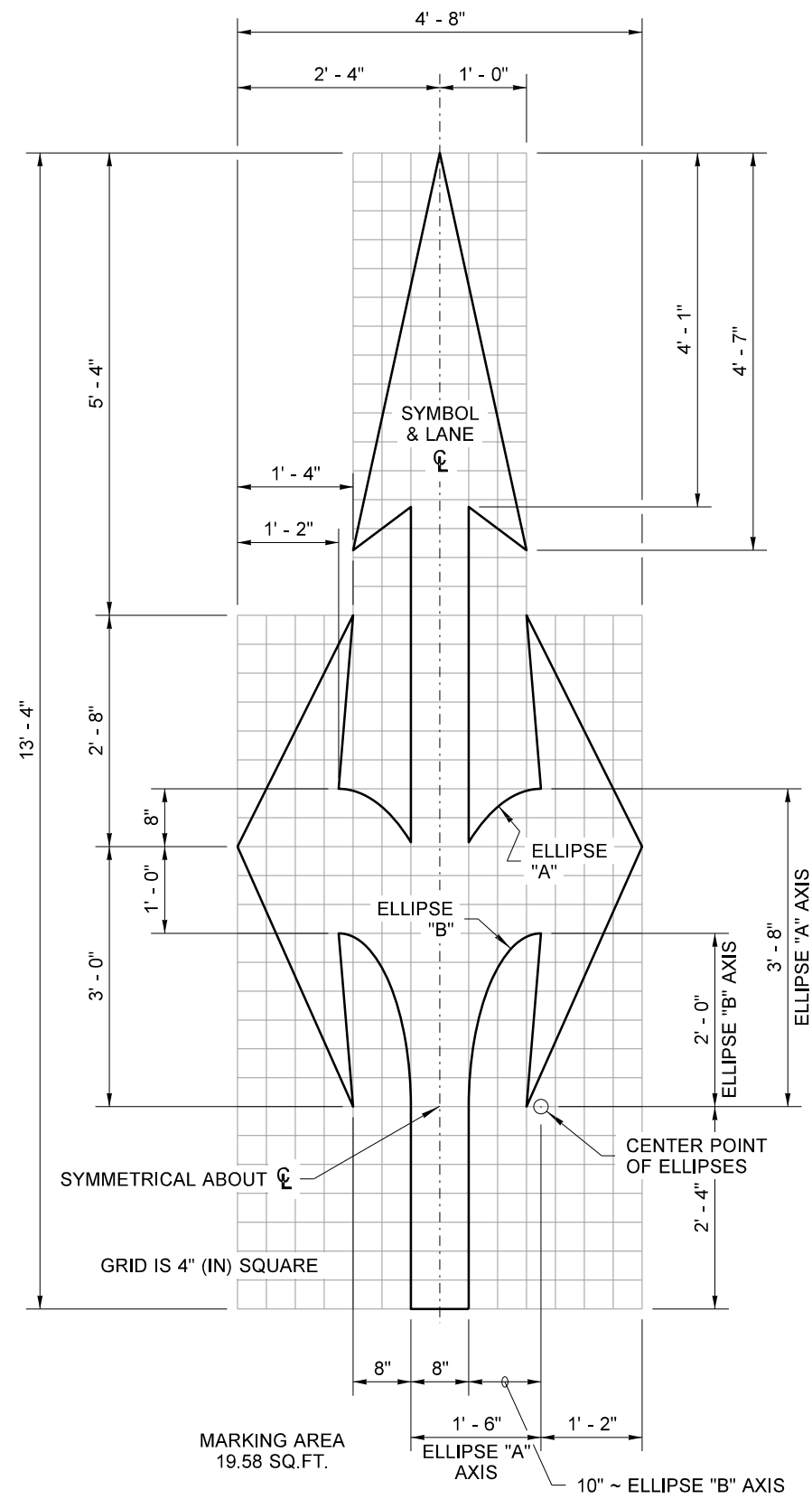


**SYMBOL MARKINGS ~
TRAFFIC ARROWS FOR
LOW-SPEED ROADWAYS
STANDARD PLAN M-24.40-02**

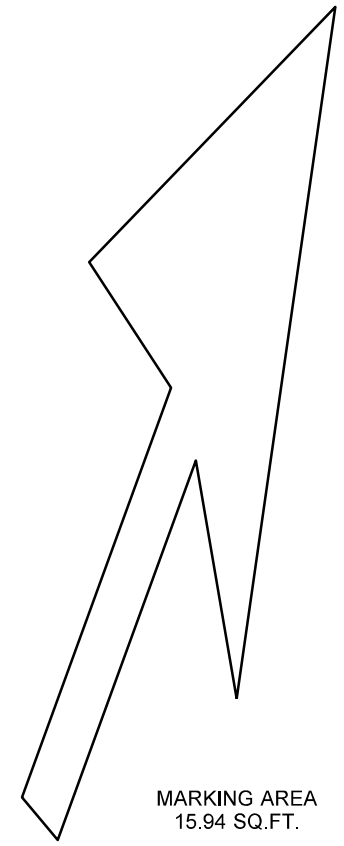
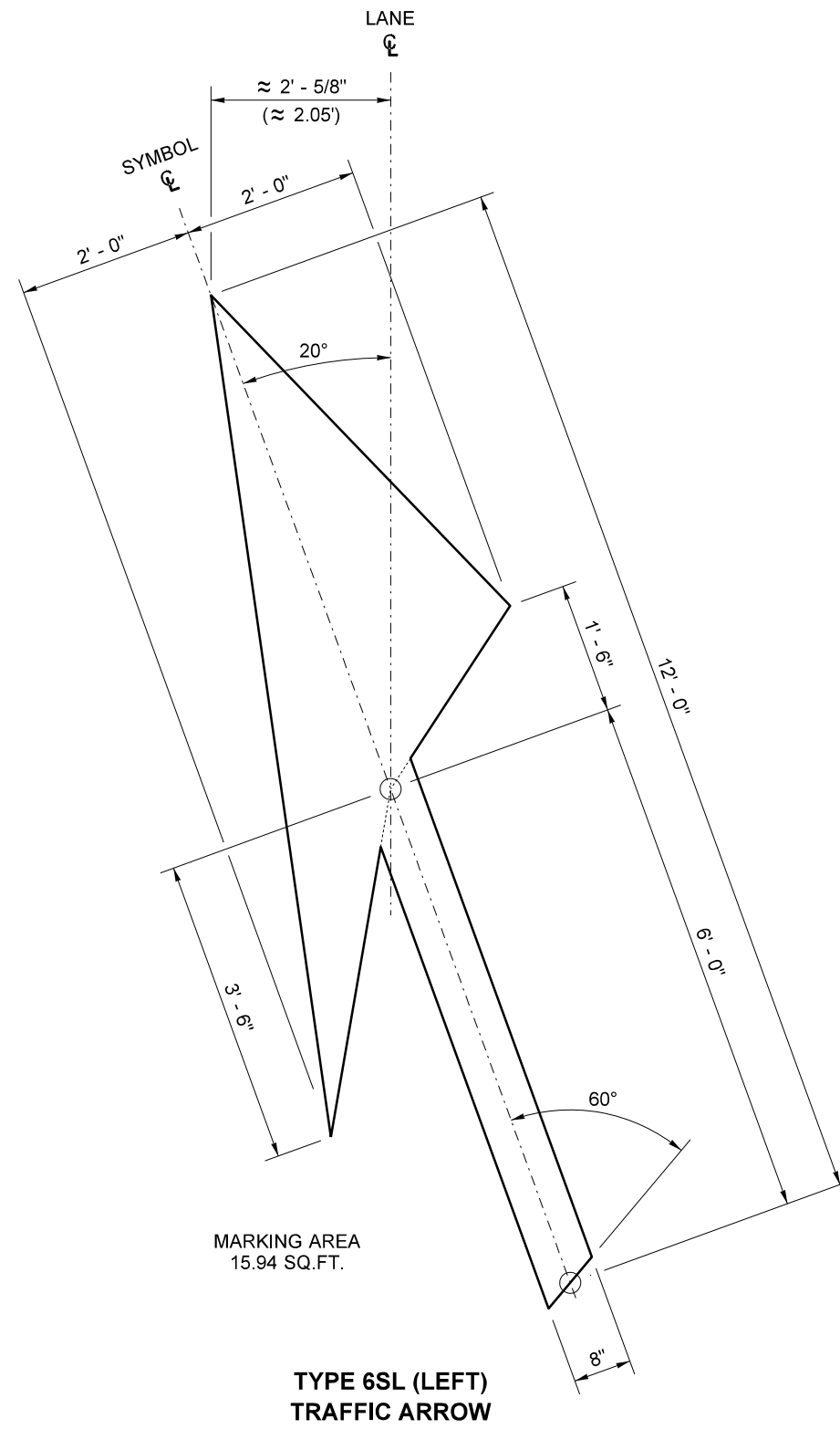
SHEET 1 OF 2 SHEETS

APPROVED FOR PUBLICATION

STATE DESIGN ENGINEER
Washington State Department of Transportation



TYPE 7S TRAFFIC ARROW



TYPE 6SR (RIGHT) TRAFFIC ARROW
MIRROR IMAGE OF TYPE 6SL (MIRRORED ABOUT LANE CENTERLINE) (SHOWN AT REDUCED SCALE)



SYMBOL MARKINGS ~ TRAFFIC ARROWS FOR LOW-SPEED ROADWAYS
STANDARD PLAN M-24.40-02

SHEET 2 OF 2 SHEETS

APPROVED FOR PUBLICATION

STATE DESIGN ENGINEER
Washington State Department of Transportation