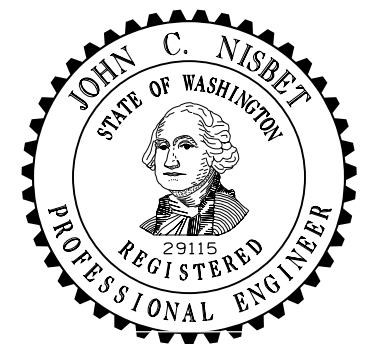
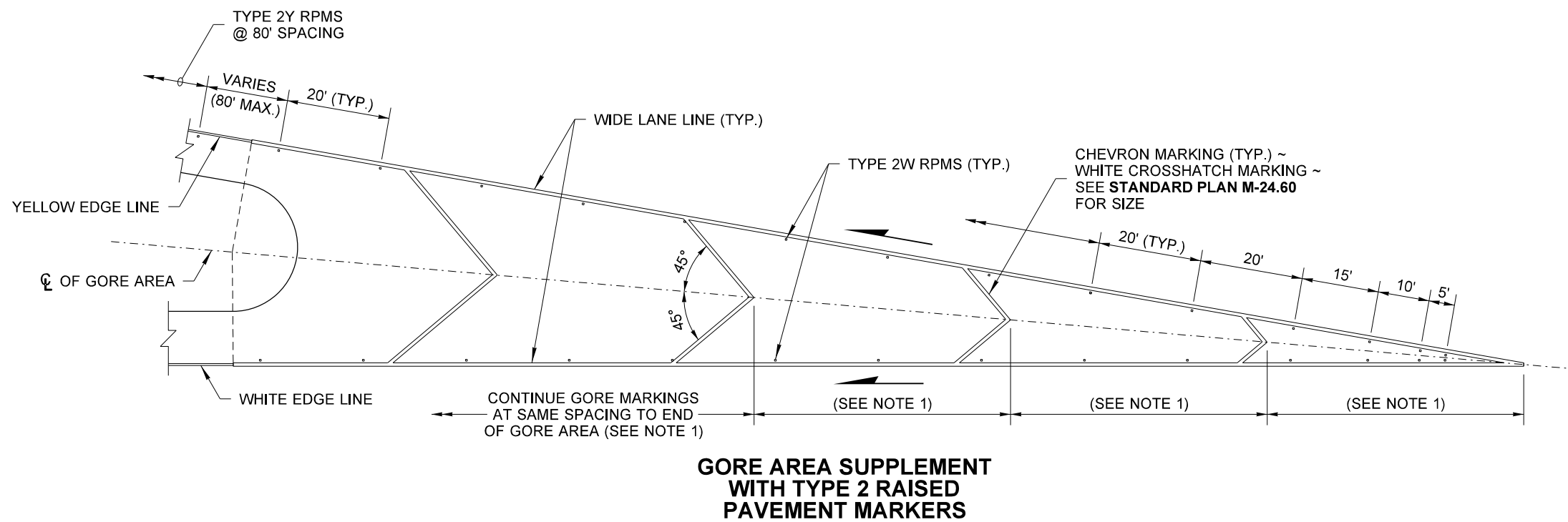
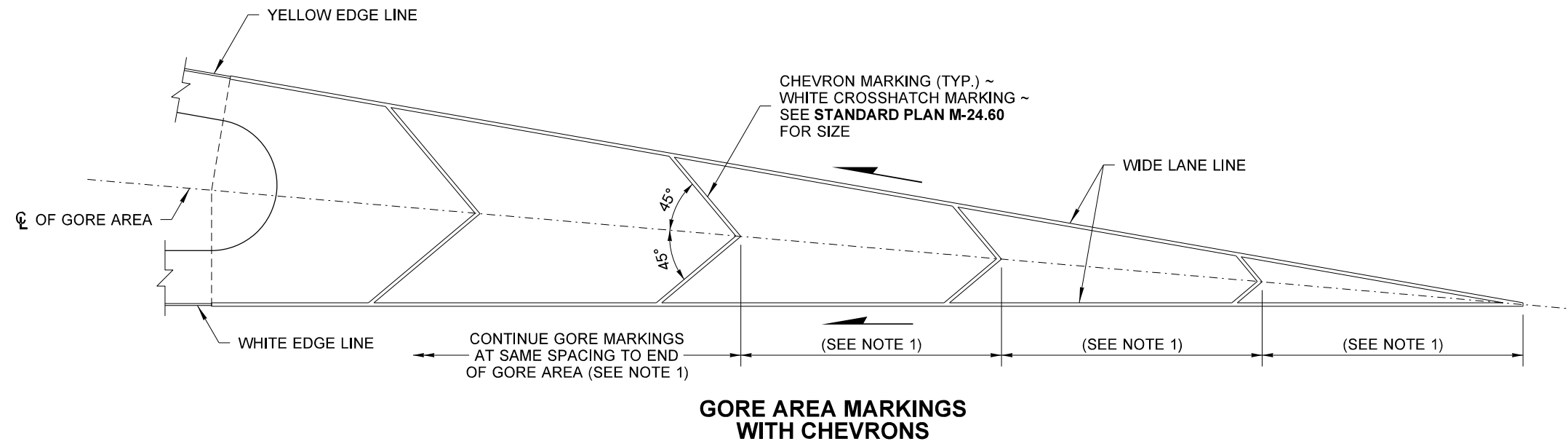


NOTE

1. Install a minimum of 3 sets of diagonals/chevrons in the gore area. A 50' (ft) spacing is standard; however, for gore areas shorter than 150' (ft), use a 25' (ft) spacing, and for gore areas greater than 400' (ft), a spacing of 100' (ft) may be used.



OFF-RAMP GORE AREA MARKING LAYOUTS
STANDARD PLAN M-2.20-03

SHEET 1 OF 1 SHEET

APPROVED FOR PUBLICATION