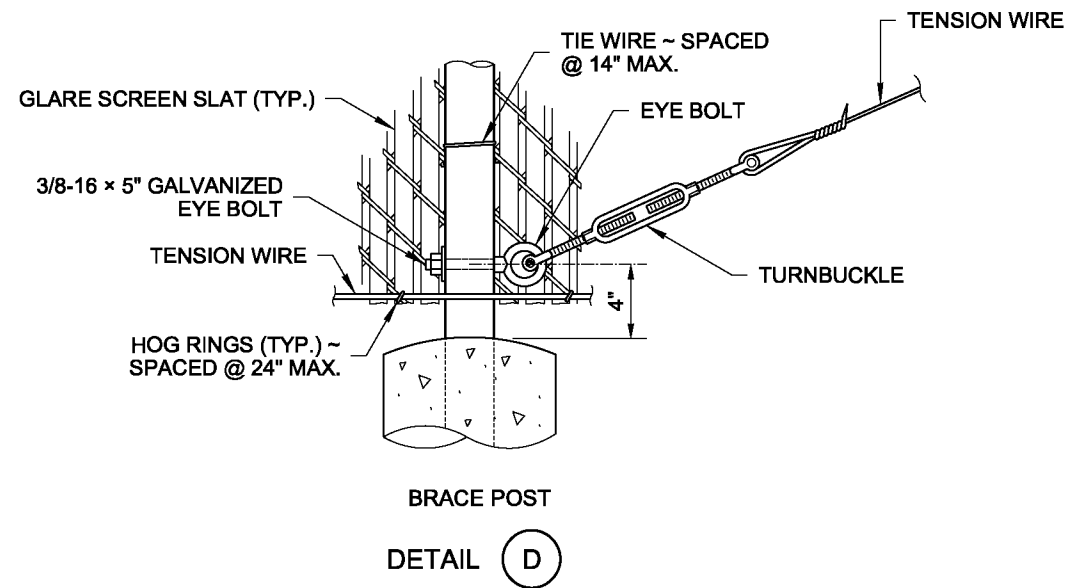
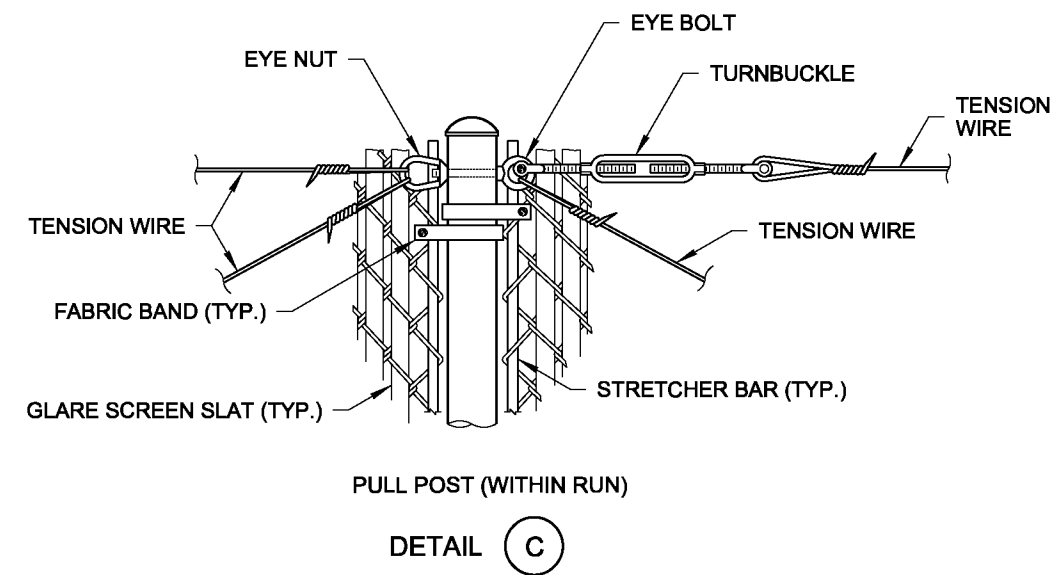
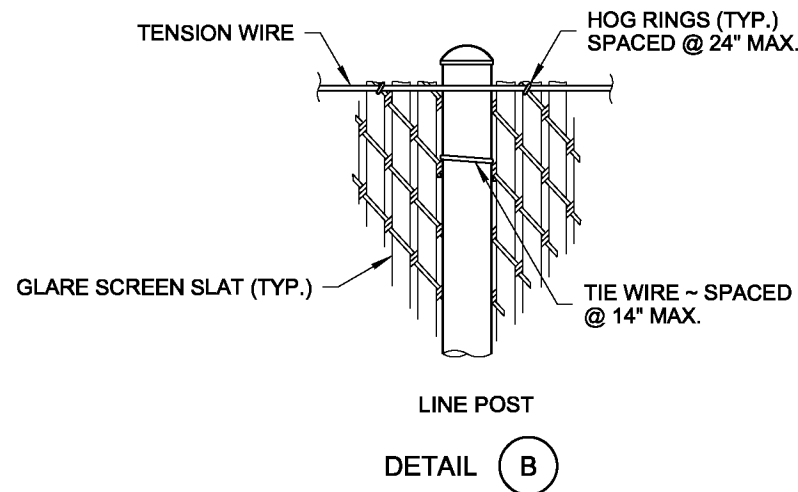
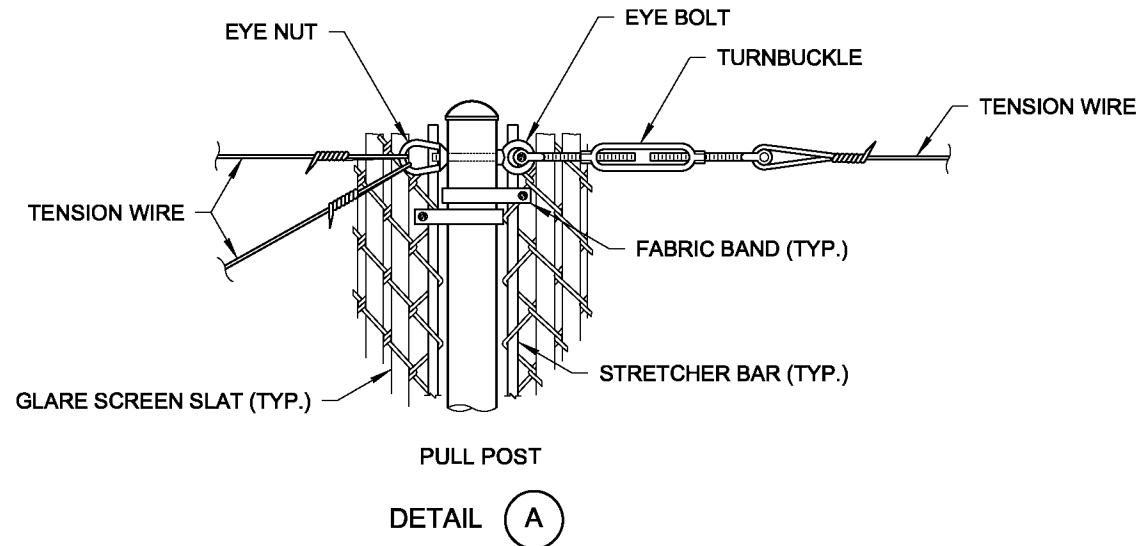
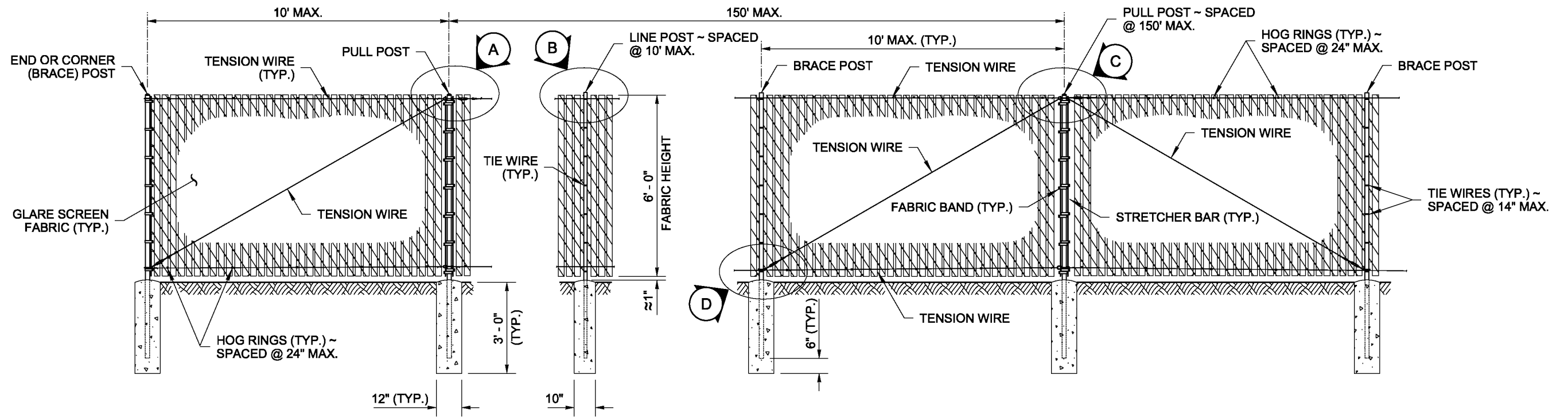


DRAWN BY: LISA CYFORD



NOTE: THIS PLAN IS NOT A LEGAL ENGINEERING DOCUMENT UNTIL ELECTRONICALLY SIGNED BY THE ENGINEER AND APPROVED FOR PUBLICATION IS FILED AT THE WASHINGTON STATE DEPARTMENT OF TRANSPORTATION. A COPY MAY BE OBTAINED UPON REQUEST.

**GLARE SCREEN TYPE 2
(CHAIN LINK WITH SLATS)
STANDARD PLAN L-40.20-02**

SHEET 1 OF 1 SHEET

APPROVED FOR PUBLICATION

Pasco Bakotich III 06/21/12
STATE DESIGN ENGINEER DATE

