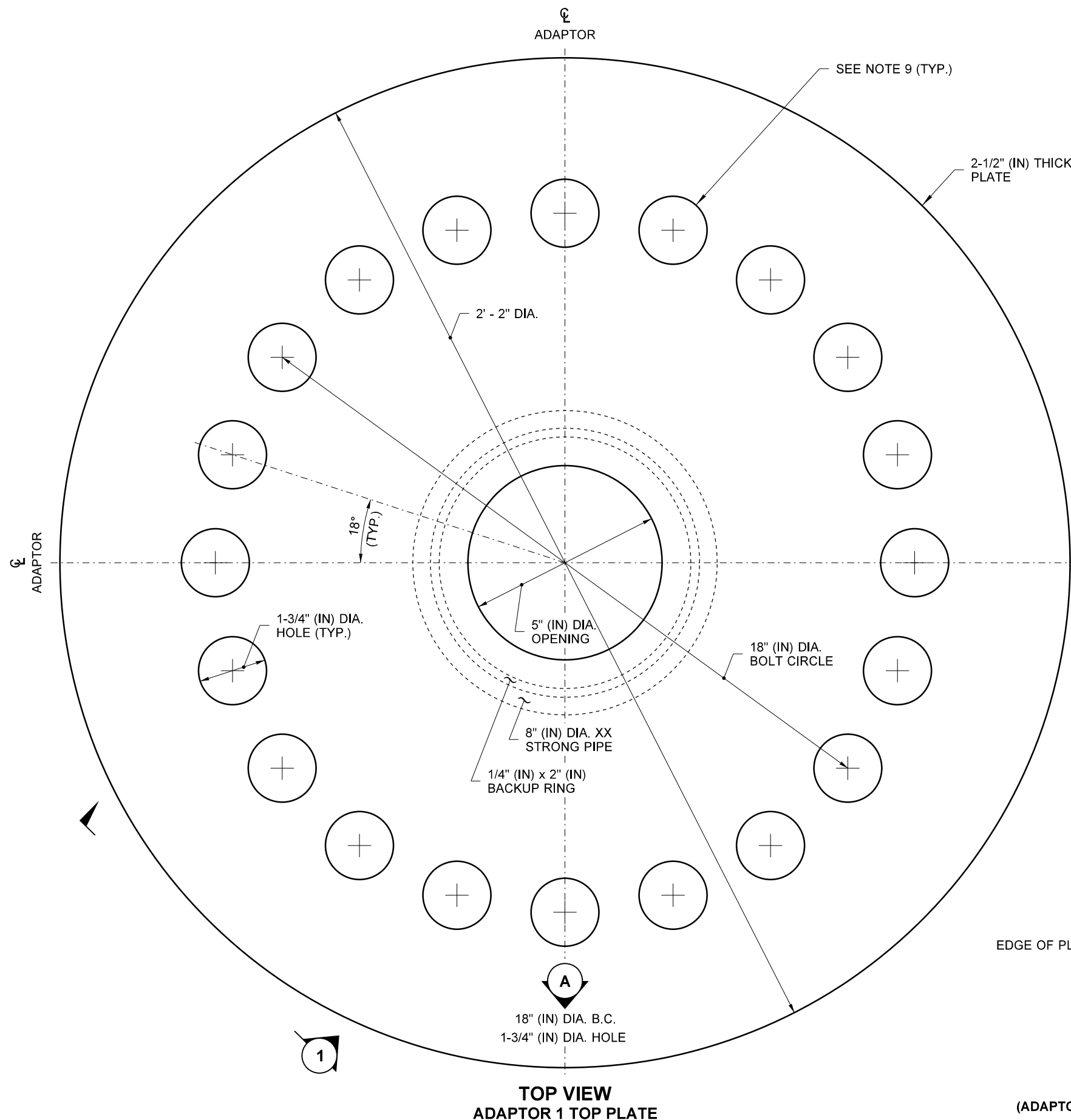


DRAWN BY: COLBY FLETCHER

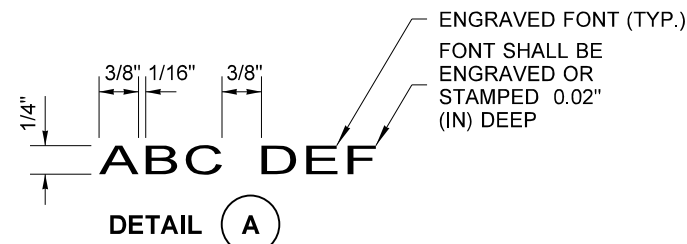


**TOP VIEW  
ADAPTOR 1 TOP PLATE**

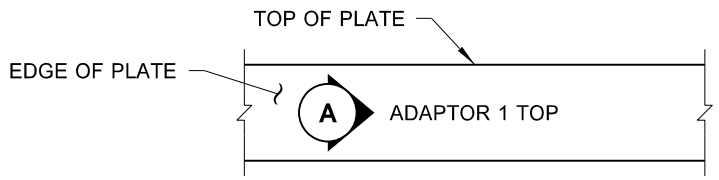
**NOTES**

1. All material and workmanship shall be in accordance with the requirements of the Washington State Department of Transportation **Standard Specifications for Road, Bridge, and Municipal Construction**.
2. The analysis and design for Adaptors 1 and 2 have been done in accordance with AASHTO Standard Specifications for Structural Supports for Highway Signs, Luminaires and Traffic Signals - Fifth Edition - Dated 2009, and Interims, using basic wind speed of 90 MPH and 50 years of design life.
3. Adaptors' parameters are based on field data and existing signal standard anchor bolts and bolt circles. Adaptor 1 shall be used for 15' (ft) thru 45' (ft) mast arm signal standards and Adaptor 2 for 46' (ft) thru 65' (ft).
4. **Adaptors shall only be used for temporary installation of knocked down signal standards.**
5. Materials specifications:
 

All structural steel, except as otherwise noted Pipes Connecting/clamping bolts Nuts Washers	<b>ASTM A572 GR. 50 OR ASTM A588 ASTM A53 GR. B OR A500 GR. B ASTM F3125 GRADE A325 ASTM A563 GRADE DH AASHTO M 293 (ASTM F436)</b>
---	---
6. All bolts, rods, and related hardware shall be galvanized after fabrication per ASTM F2329.
7. Steel surfaces shall be galvanized after fabrication in accordance with AASHTO M 111.
8. Install and secure adaptor to existing support anchor bolts. Then install signal standard on adaptor top plate. Rake to be plumb after all load has been placed.
9. All holes in top and bottom plates of Adaptor 1 and Adaptor 2 are thru holes. See engraved or stamped text for bolt hole diameter.



**DETAIL A**



**SECTION 1**

ADAPTOR 1 TOP SHOWN  
(ADAPTOR 1 BOTTOM, ADAPTOR 2 TOP, AND ADAPTOR 2 BOTTOM SIMILAR)

ALL FONTS MARKED **A** SHALL BE ENGRAVED OR STAMPED



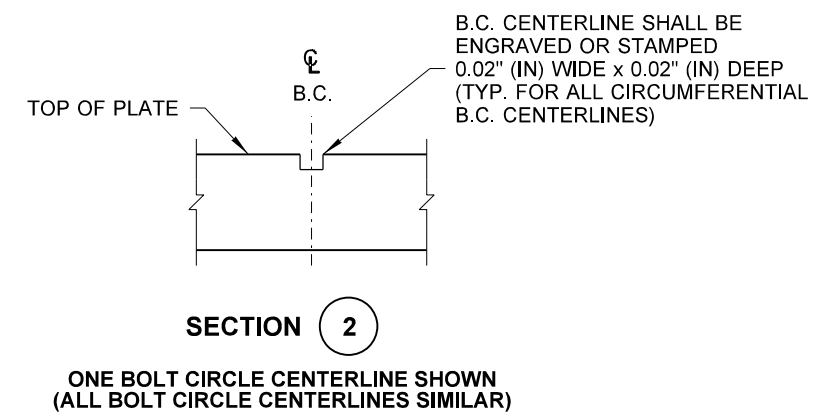
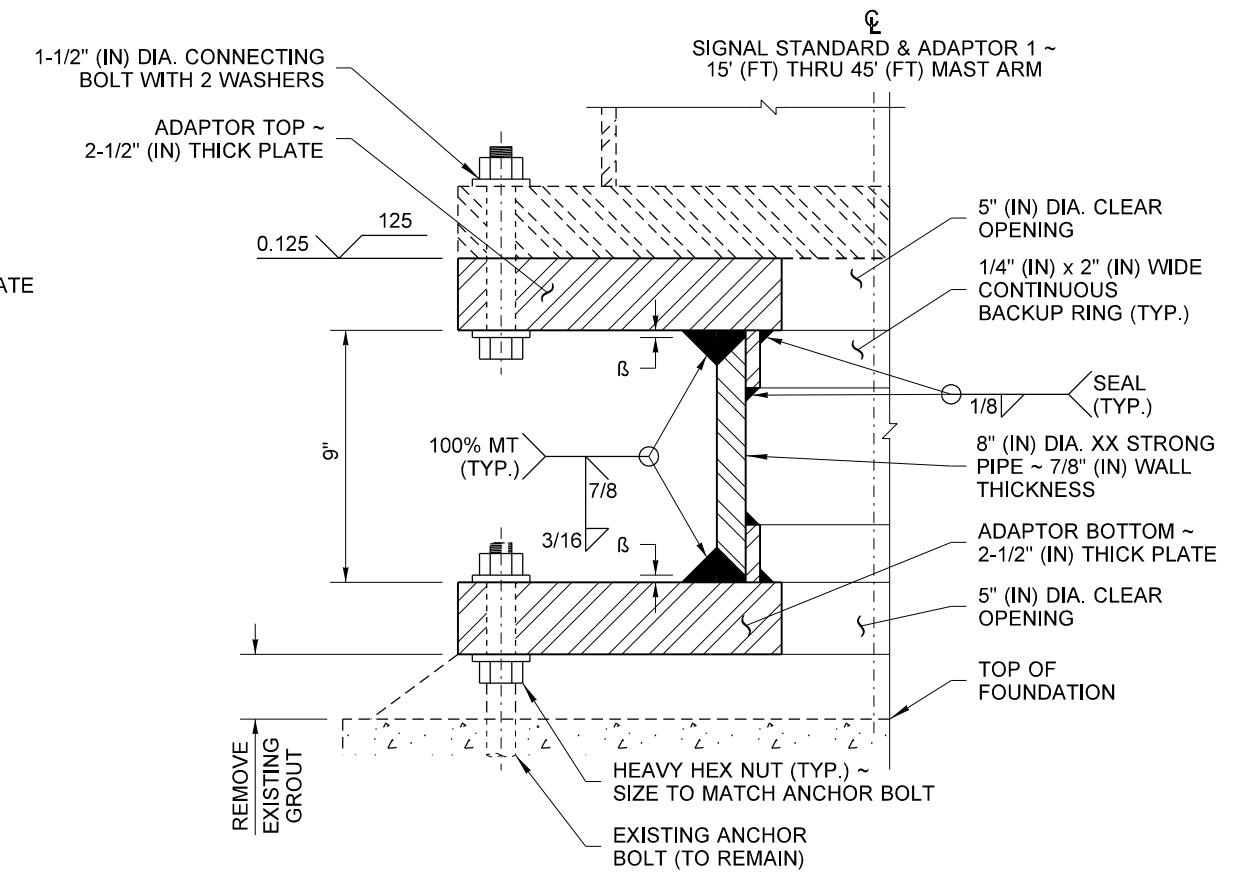
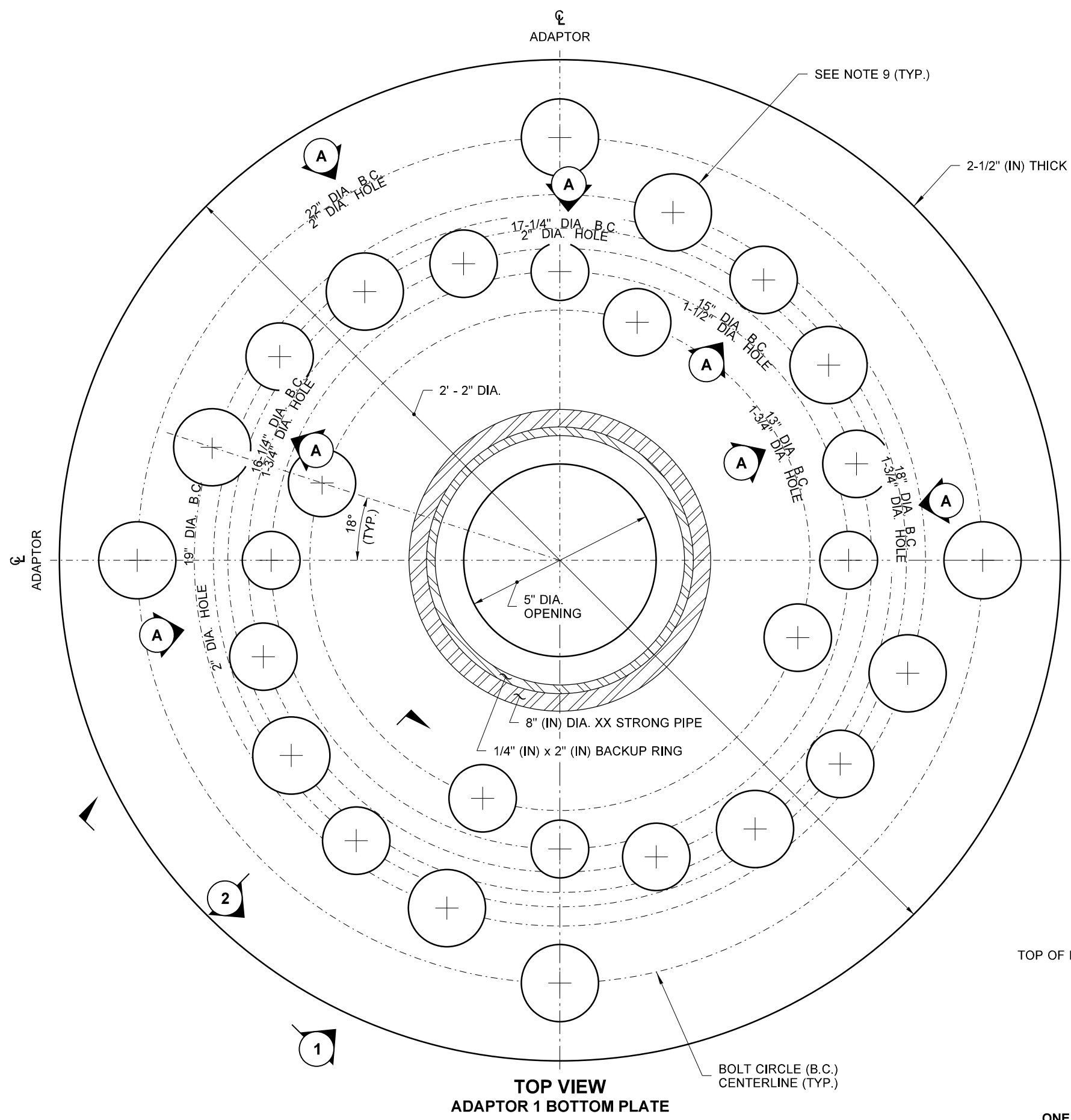
**TEMPORARY SIGNAL  
STANDARD ADAPTOR  
STANDARD PLAN J-26.20-01**

SHEET 1 OF 5 SHEETS

APPROVED FOR PUBLICATION

STATE DESIGN ENGINEER  
Washington State Department of Transportation

DRAWN BY: COLBY FLETCHER



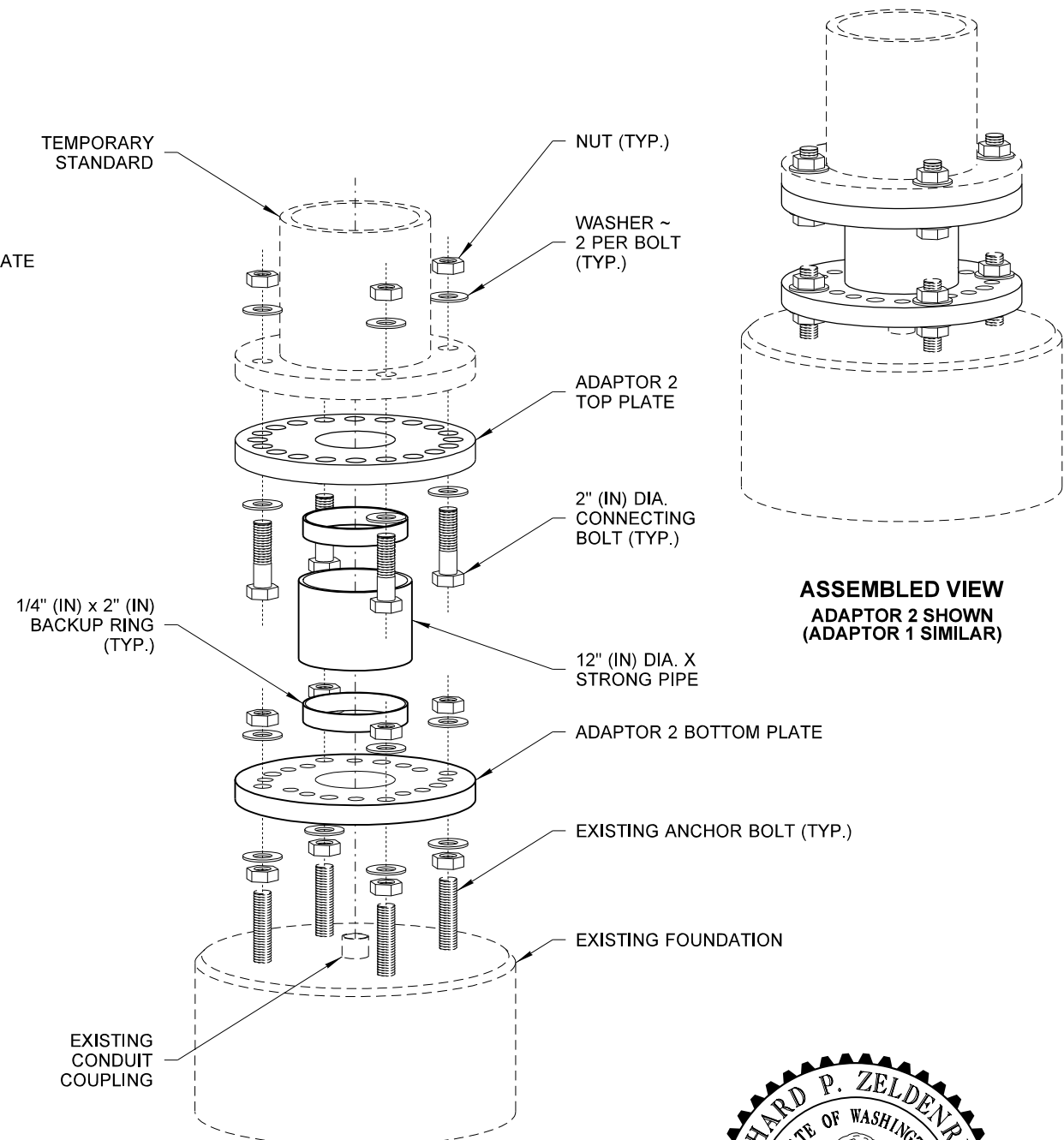
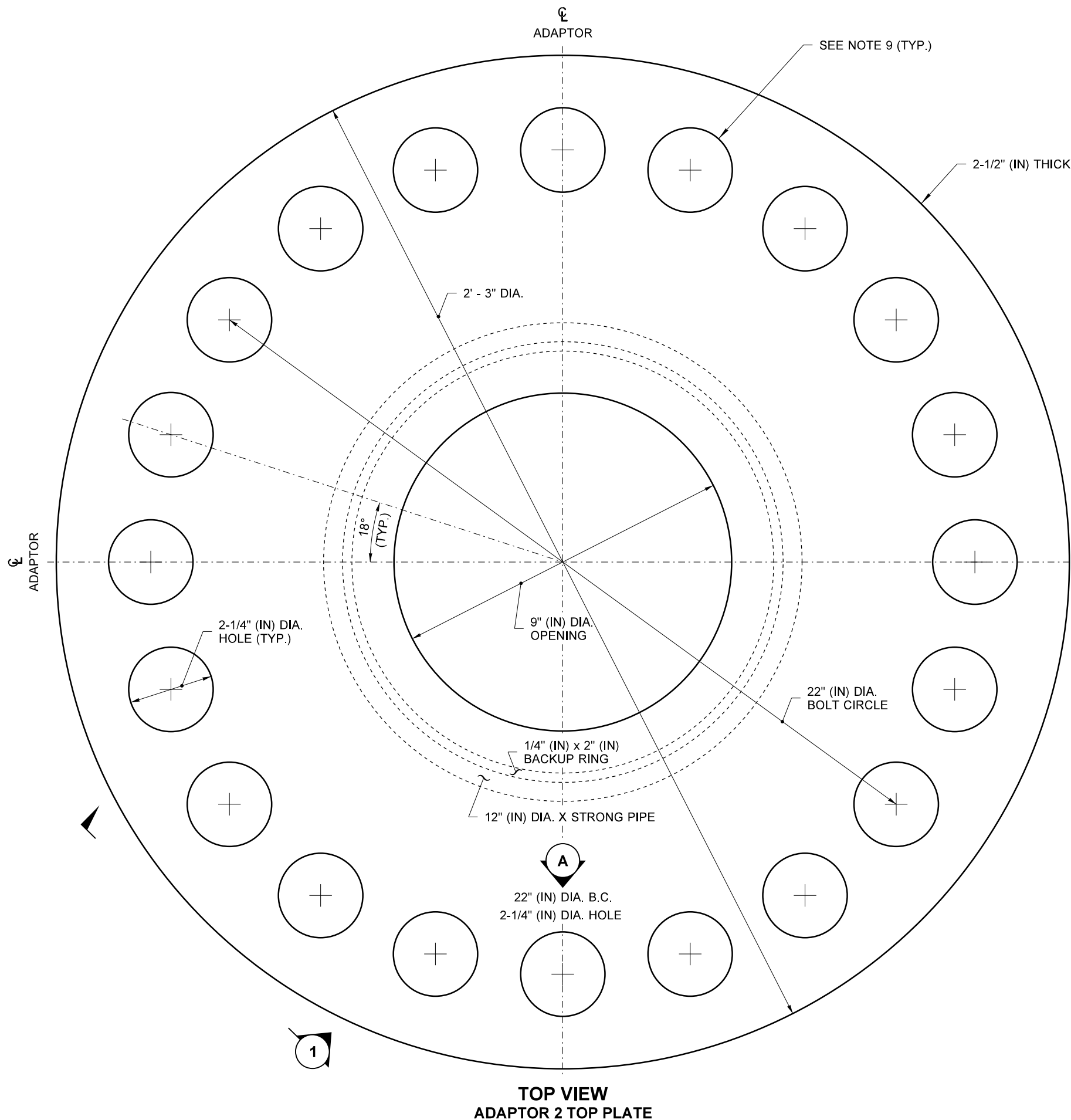
**TEMPORARY SIGNAL  
STANDARD ADAPTOR**

**STANDARD PLAN J-26.20-01**

SHEET 2 OF 5 SHEETS

APPROVED FOR PUBLICATION

STATE DESIGN ENGINEER  
Washington State Department of Transportation

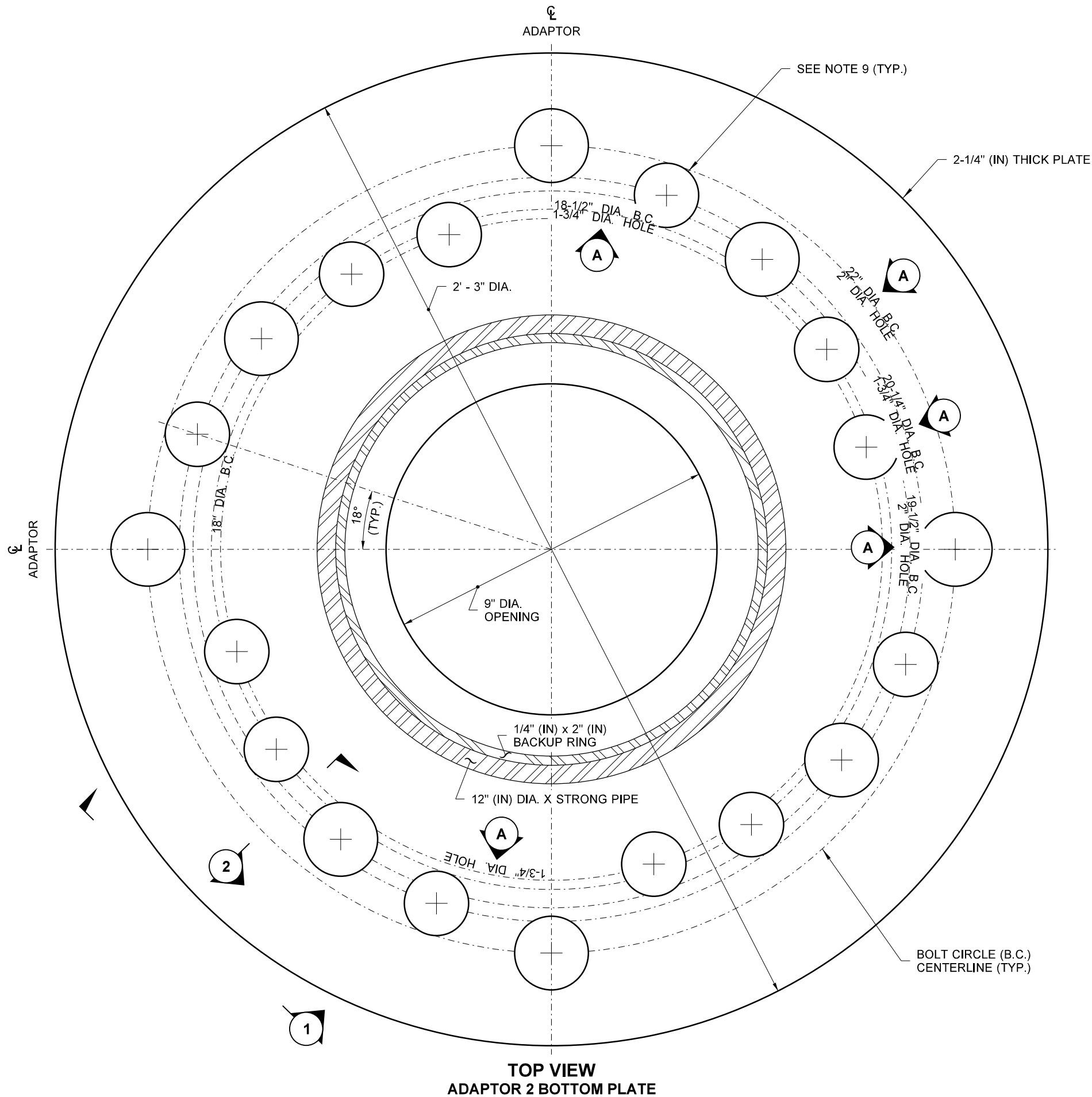


**TEMPORARY SIGNAL  
STANDARD ADAPTOR**  
**STANDARD PLAN J-26.20-01**

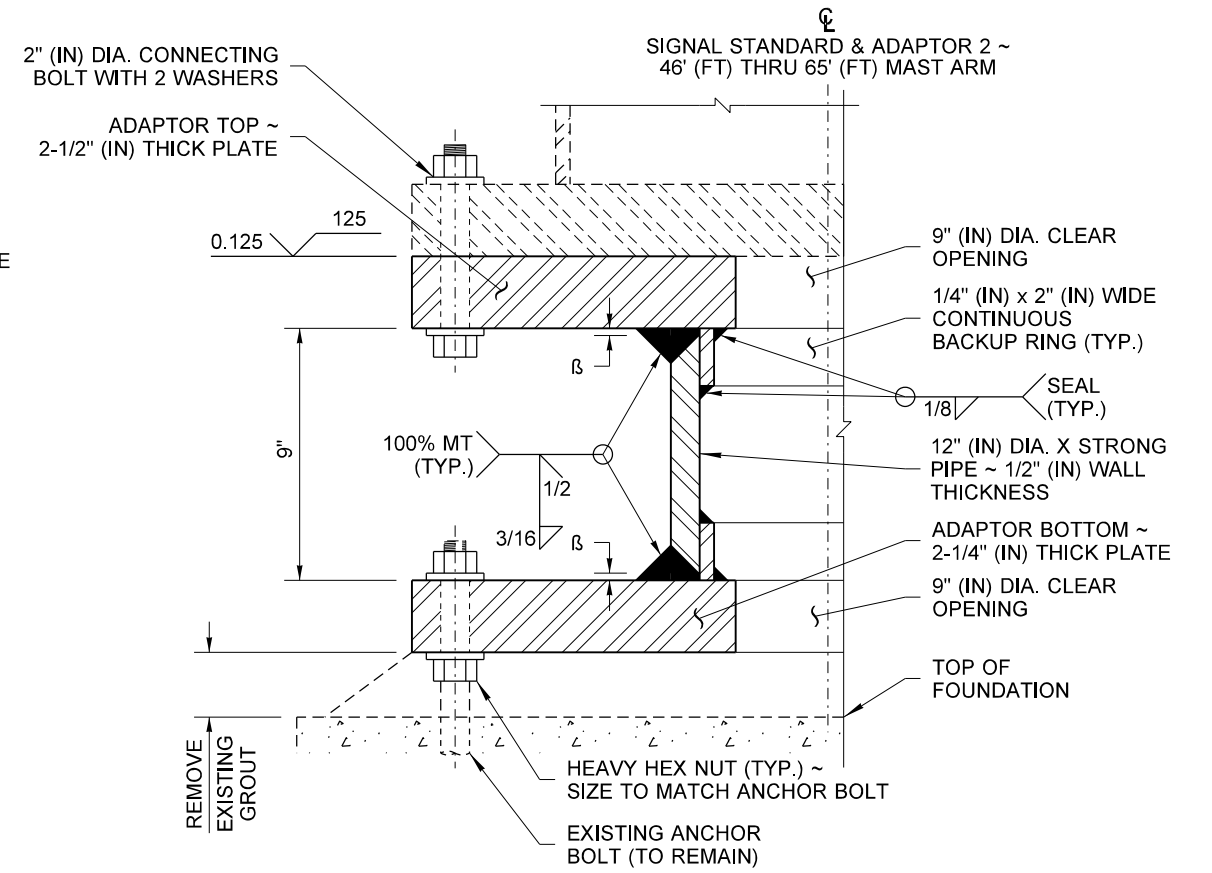
SHEET 3 OF 5 SHEETS

APPROVED FOR PUBLICATION

DRAWN BY: COLBY FLETCHER



TOP VIEW  
ADAPTOR 2 BOTTOM PLATE



TYPICAL SECTION  
β - 3/16" (IN) MAX. GAP BEFORE WELDING

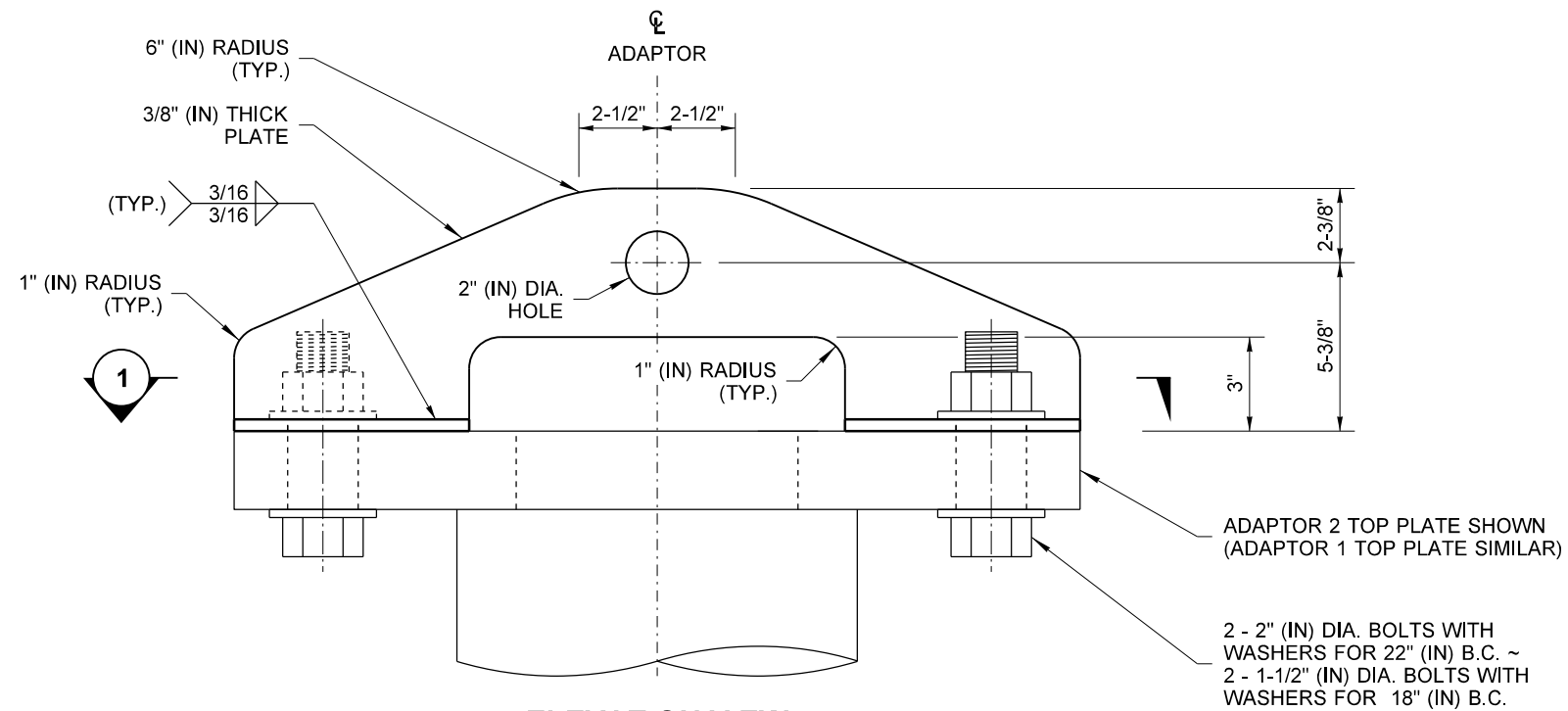


**TEMPORARY SIGNAL  
STANDARD ADAPTOR**  
**STANDARD PLAN J-26.20-01**

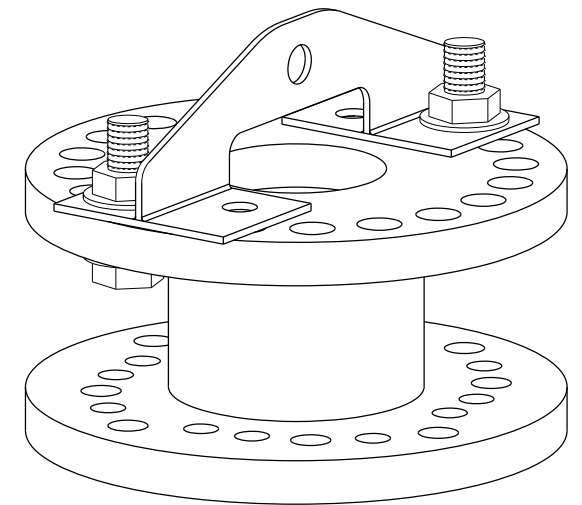
SHEET 4 OF 5 SHEETS

APPROVED FOR PUBLICATION

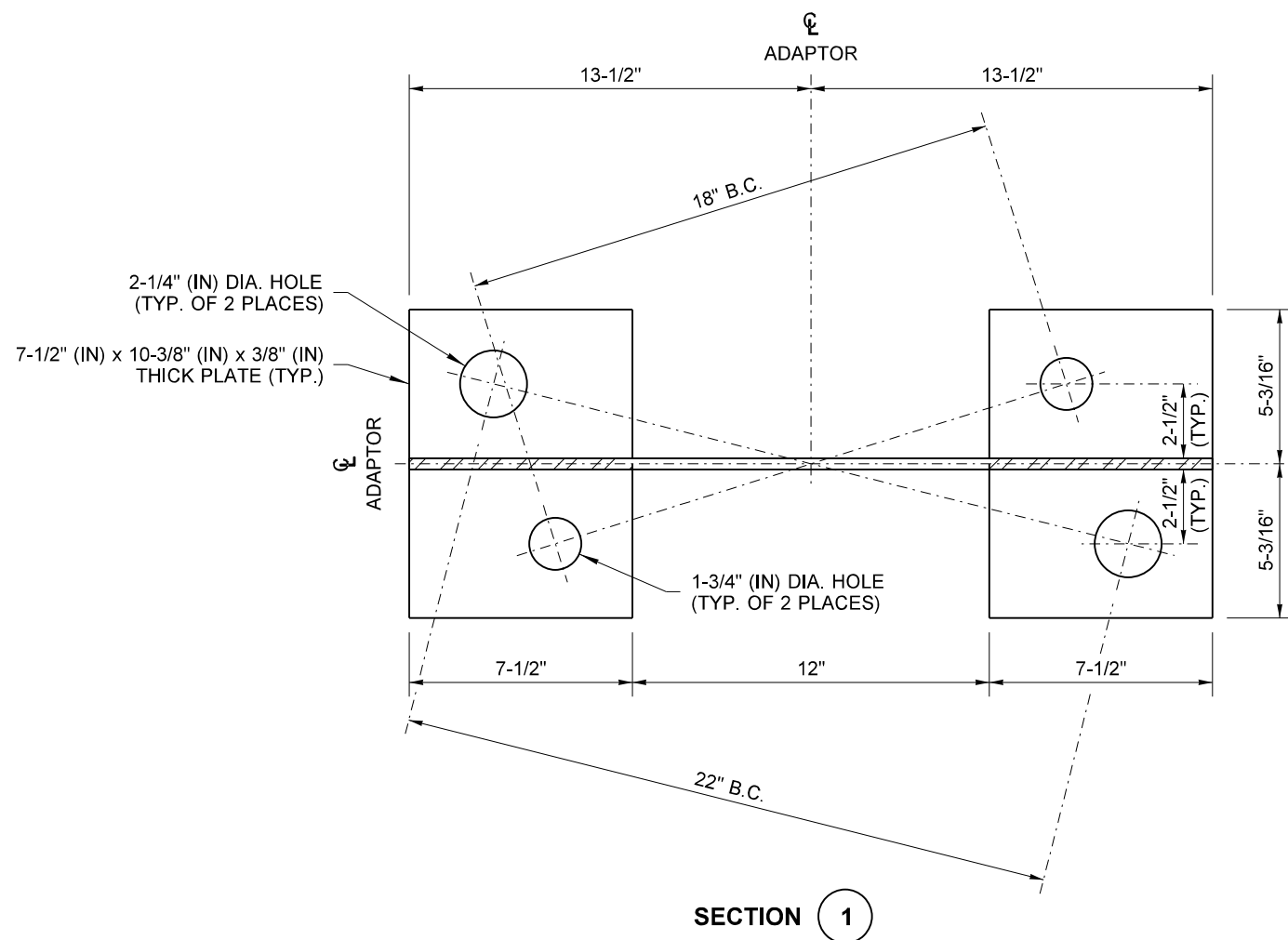
STATE DESIGN ENGINEER  
Washington State Department of Transportation



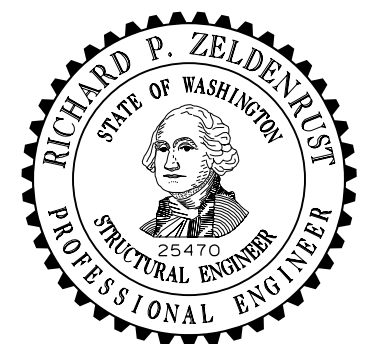
**ELEVATION VIEW  
ADAPTOR LIFTING TOOL**  
REMOVE ALL BURRS AND SHARP EDGES



**ASSEMBLED VIEW  
ADAPTOR LIFTING TOOL  
WITH ADAPTOR 2 SHOWN  
(ADAPTOR 1 SIMILAR)**



**SECTION 1**



**TEMPORARY SIGNAL  
STANDARD ADAPTOR**  
**STANDARD PLAN J-26.20-01**

SHEET 5 OF 5 SHEETS

APPROVED FOR PUBLICATION

STATE DESIGN ENGINEER  
Washington State Department of Transportation