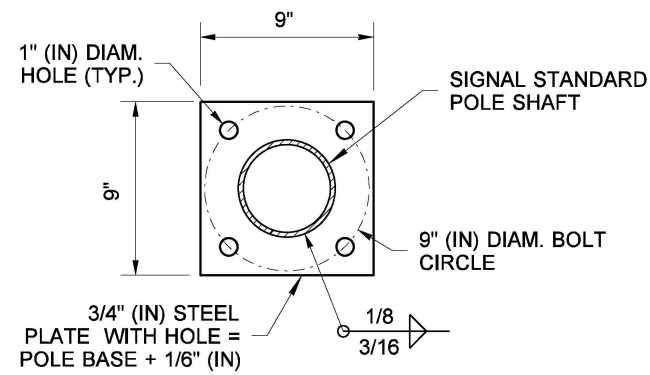
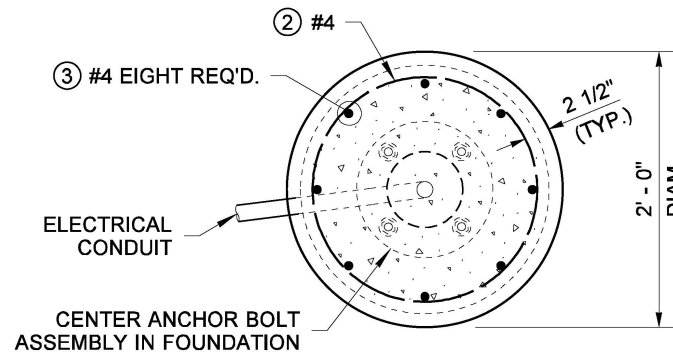


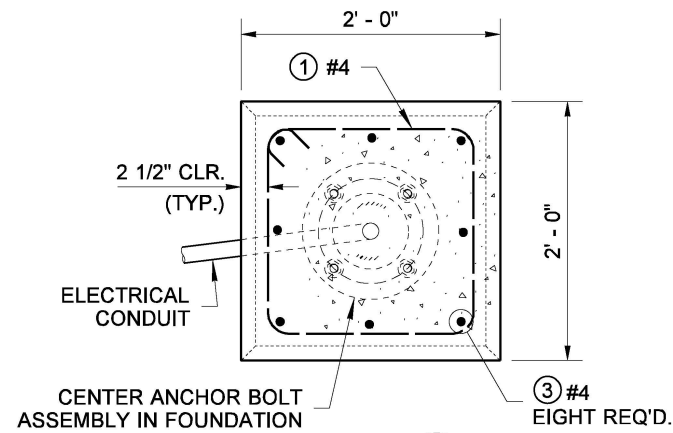
ANCHOR BOLT TEMPLATE



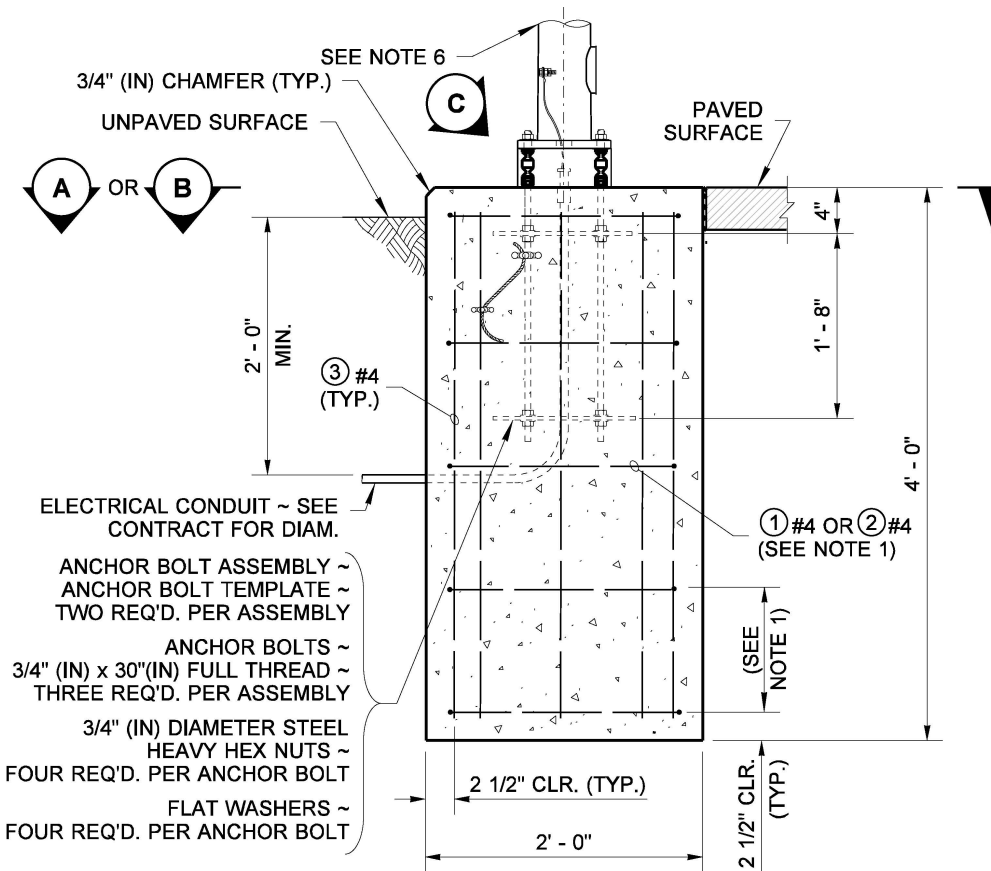
BASE PLATE DETAIL



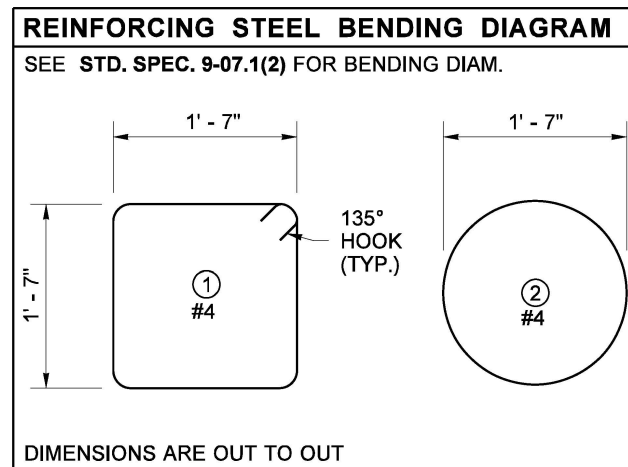
**SECTION A
ROUND FOUNDATION - PLAN VIEW**



**SECTION B
SQUARE FOUNDATION - PLAN VIEW**



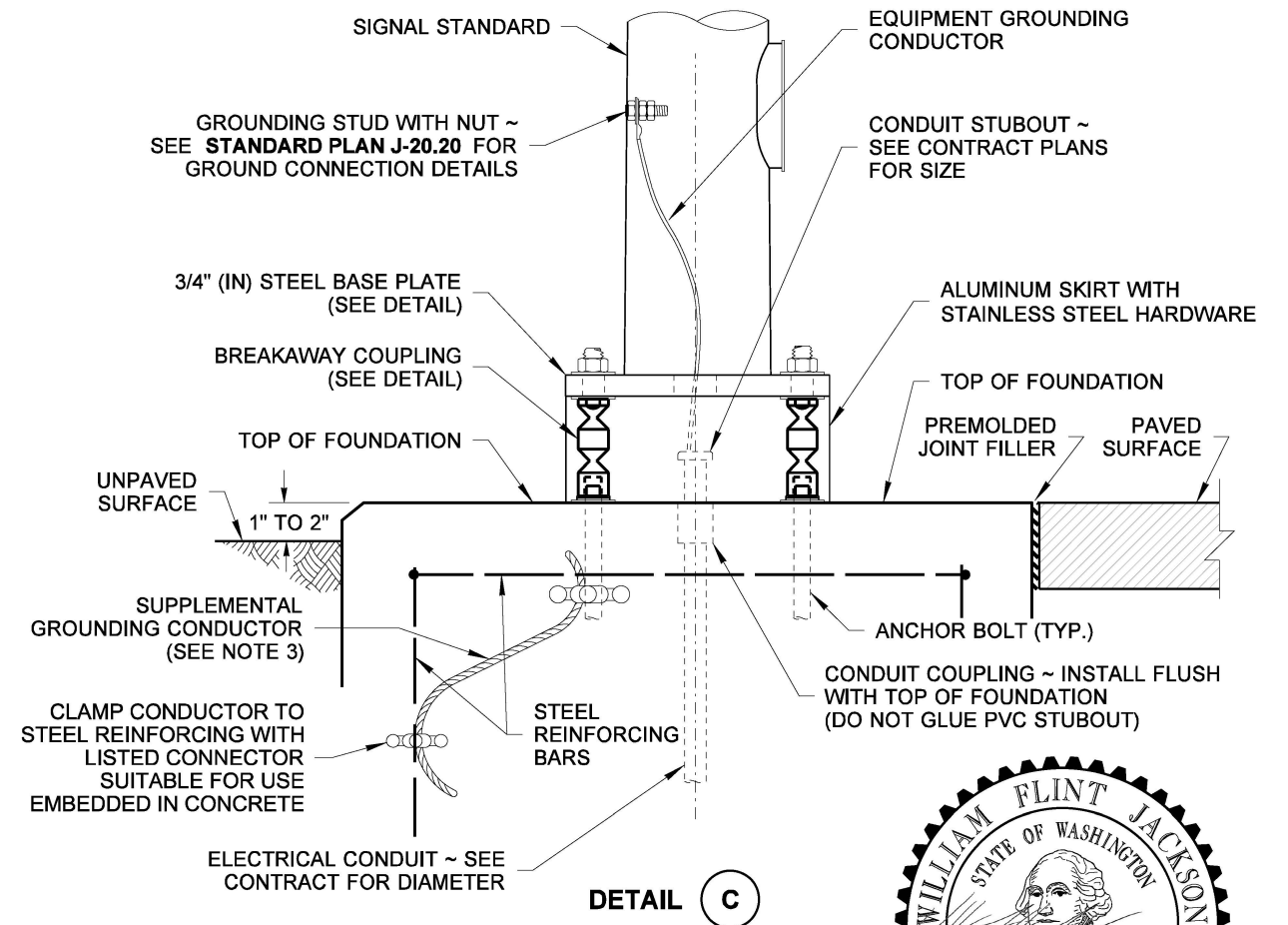
**ELEVATION
FLAT FOUNDATION DETAIL**



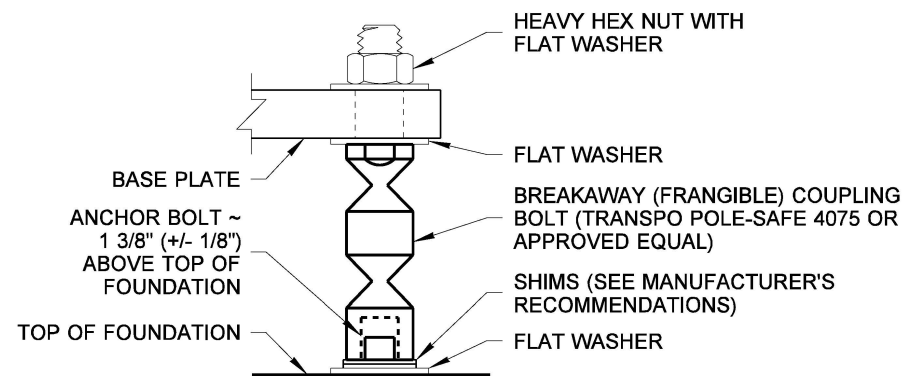
REINFORCING STEEL BENDING DIAGRAM
SEE STD. SPEC. 9-07.1(2) FOR BENDING DIAM.
DIMENSIONS ARE OUT TO OUT

NOTES

1. Round foundations require five reinforcing steel hoops at ~ 10" spacing. Square foundations require three reinforcing steel hoops at ~ 1' - 3 1/2" spacing.
2. Nuts for anchor bolts shall be **ASTM A563** Grade A, D, or DH. Washers for anchor bolts shall meet ASTM F436.
3. Supplemental grounding conductor shall be non-insulated #4 AWG stranded copper and shall be clamped to vertical rebar and anchor bolt with connectors suitable for use embedded in concrete. Supplemental ground shall be verified intact by Contracting Agency Inspector before placing concrete.
4. Junction box serving the Standard shall preferably be located 5' - 0" (10' - 0" Max.) from the Standard.
5. Provide cable tie at wiring entering the junction box ~ See **Detail A, Standard Plan J-28.70**.
6. See **Standard Plan J-20.16, J-21.15, J-21.16, or J-22.15** as applicable for pole details above this point.



DETAIL C



BREAKAWAY COUPLING DETAIL



Jun 20, 2024

**TYPE PS, TYPE 1, RM
& FB SIGNAL STANDARD
FOUNDATION DETAILS
STANDARD PLAN J-21.10-05**

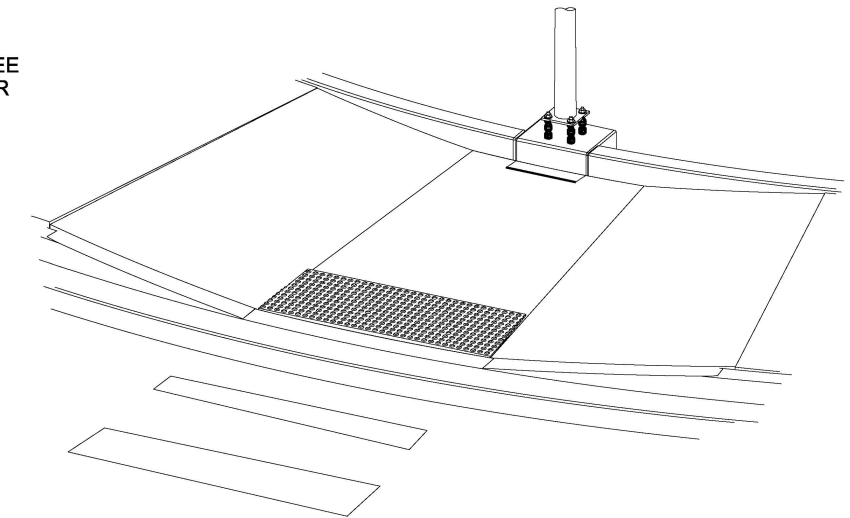
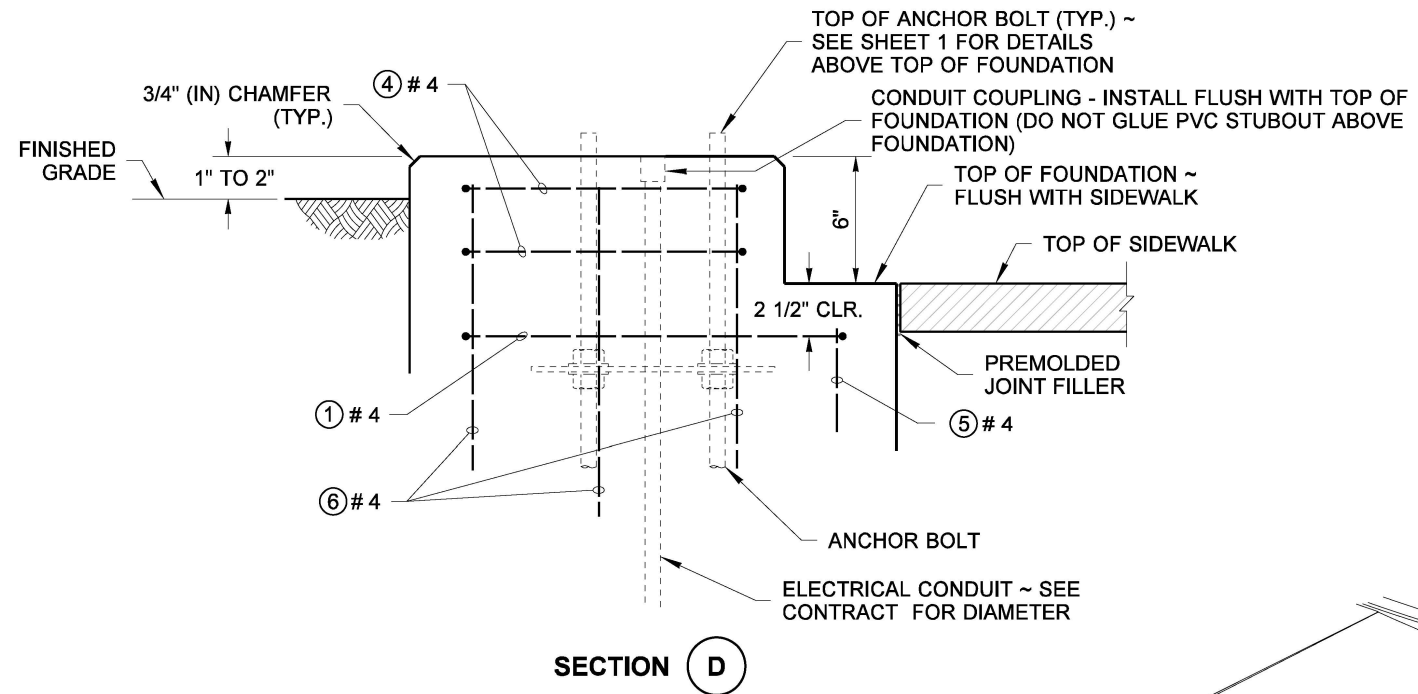
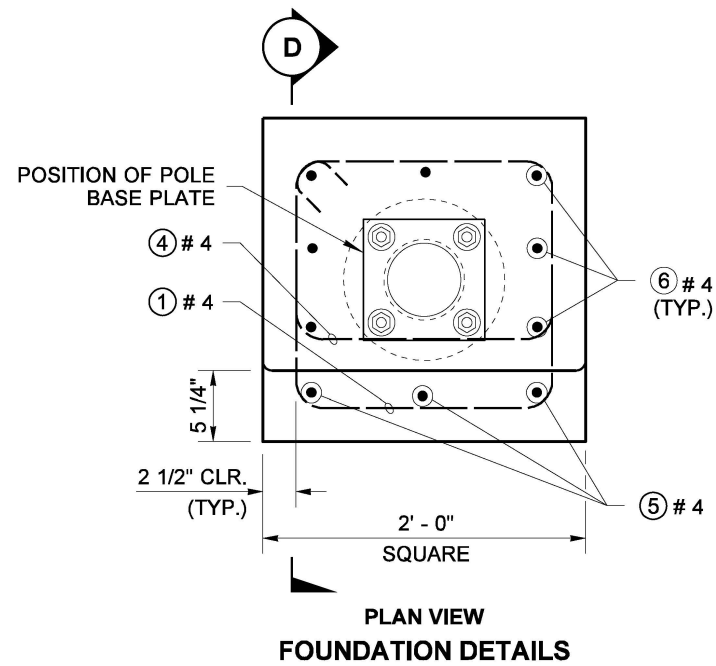
SHEET 1 OF 2 SHEETS

APPROVED FOR PUBLICATION

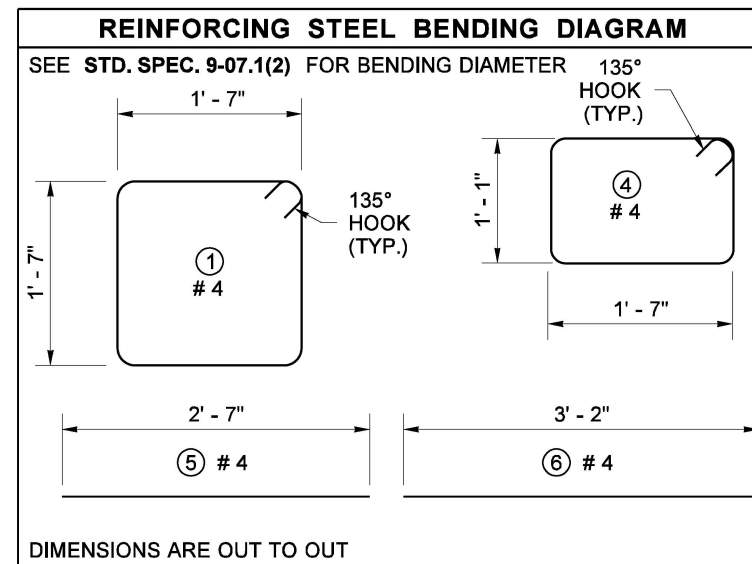
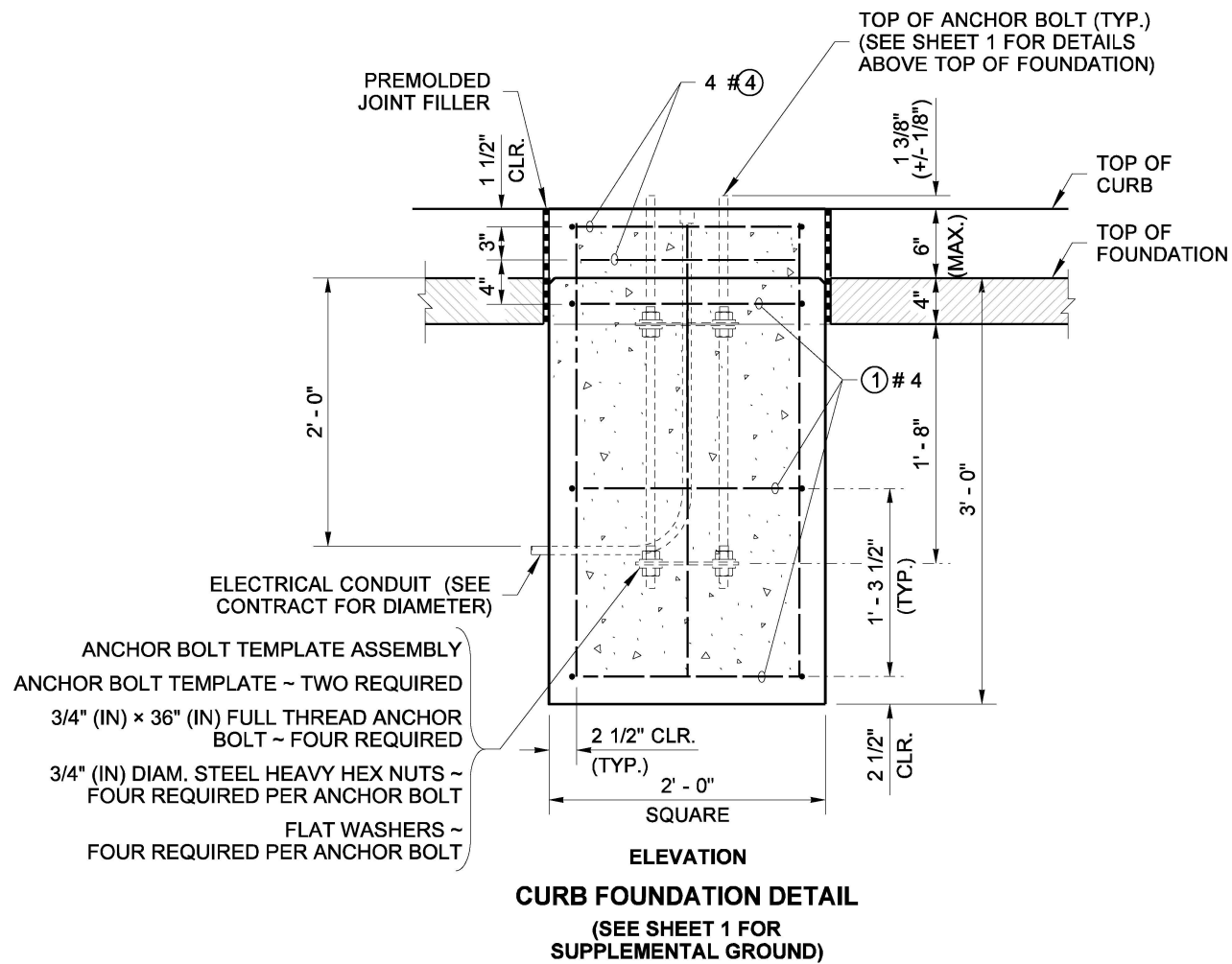
Mark A. Poirer Jun 21, 2024

STATE DESIGN ENGINEER





REINFORCING STEEL QUANTITIES LIST				
MARK	①	④	⑤	⑥
QTY.	3	2	3	7



Jun 20, 2024

**TYPE PS, TYPE 1, RM & FB SIGNAL STANDARD FOUNDATION DETAILS
STANDARD PLAN J-21.10-05**

SHEET 2 OF 2 SHEETS

APPROVED FOR PUBLICATION

Mark A. Daines

Jun 21, 2024

STATE DESIGN ENGINEER



Washington State Department of Transportation