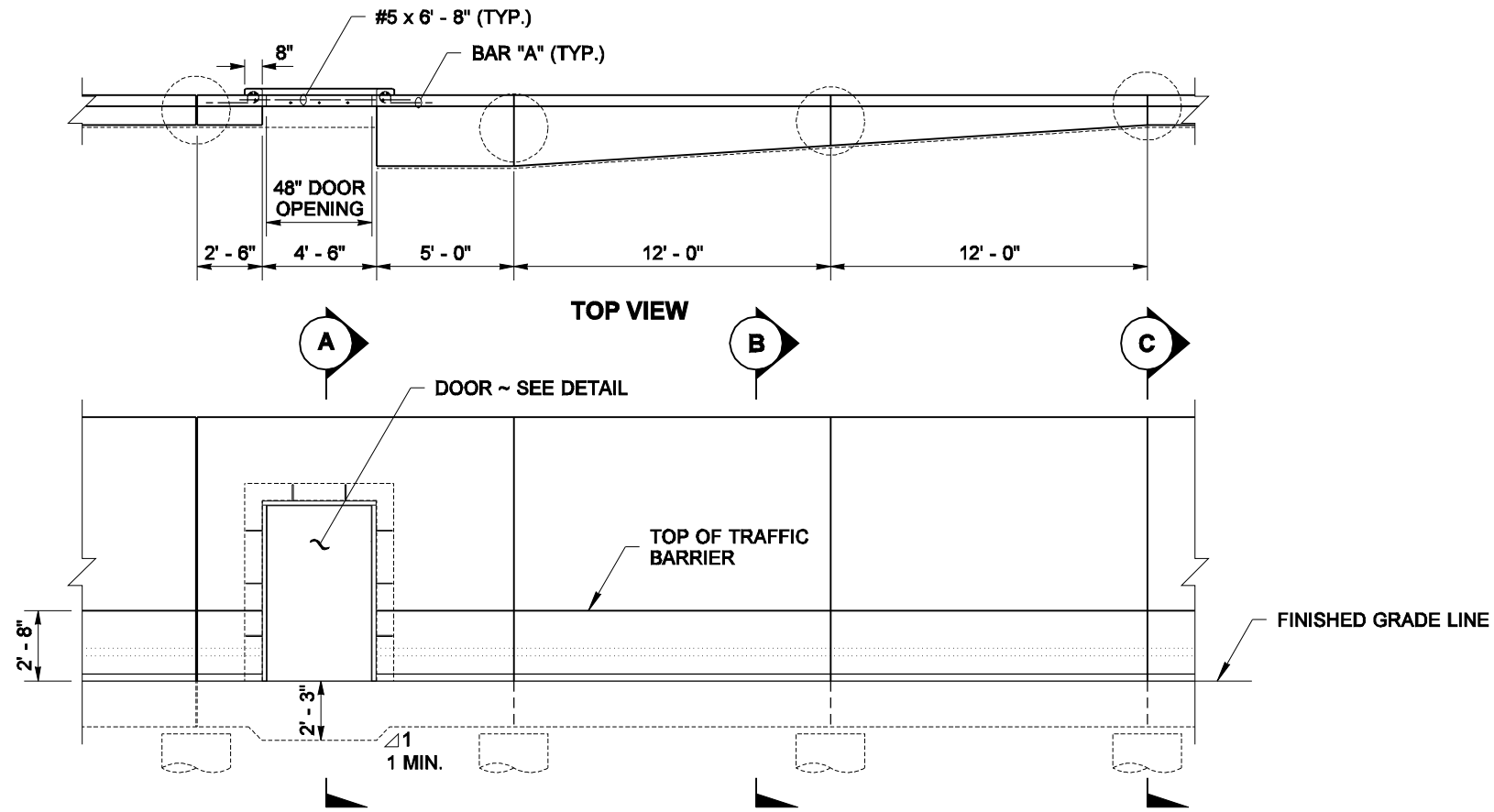
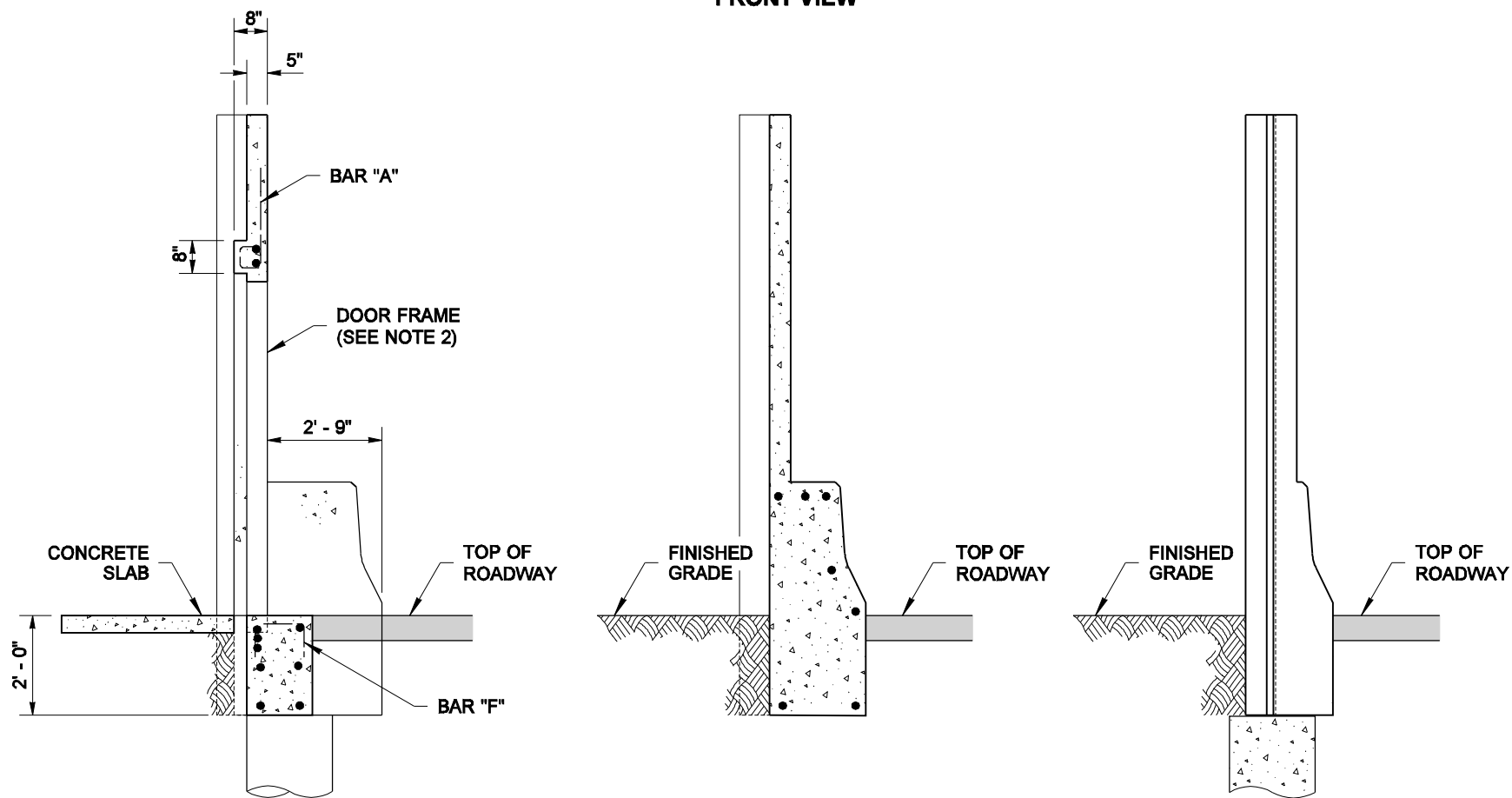


DRAWN BY: ADAM COCHRAN



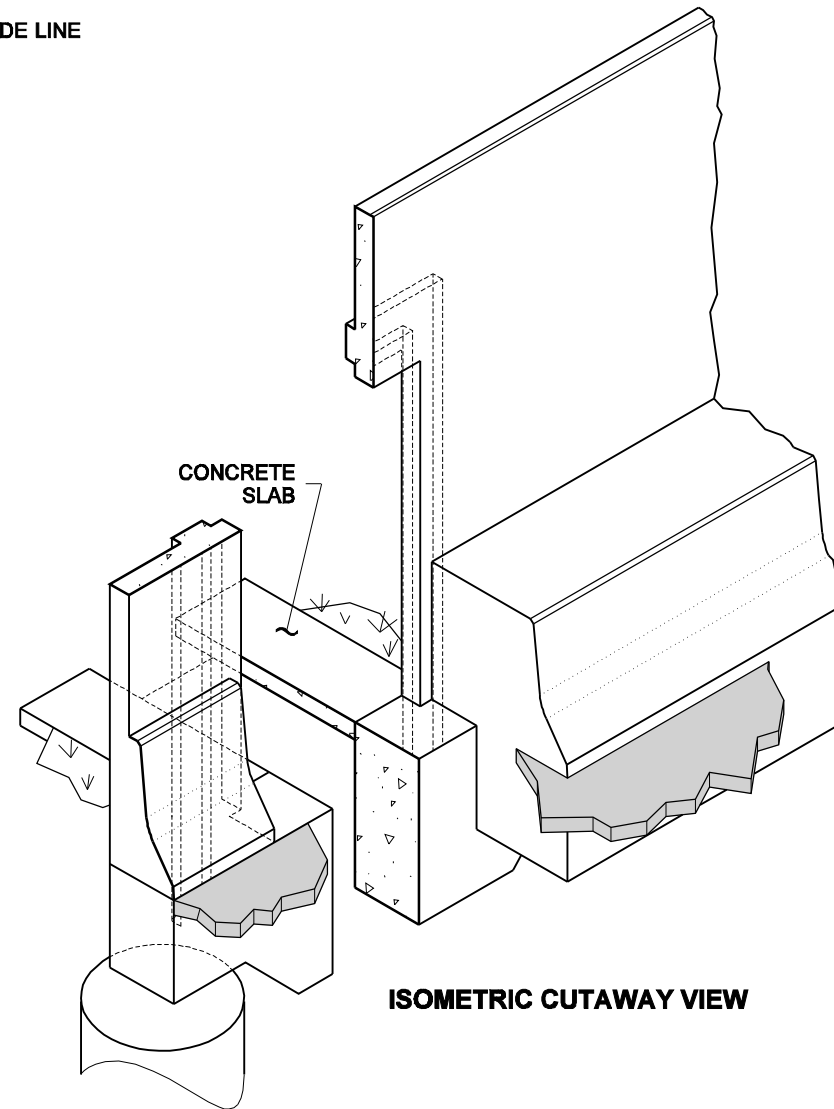
FRONT VIEW



SECTION A

SECTION B

SECTION C



ISOMETRIC CUTAWAY VIEW

NOTES

1. All rebar shall have a minimum 1 1/2" cover.
2. See Standard Plan D-2.92 for door and frame details.
3. See Standard Plan D-2.44 for wall reinforcement not shown.

**FOR PRECAST WALL W/
TRAFFIC BARRIER ON
SHAFT FOUNDATION**



EXPIRES AUGUST 23, 2006

NOTE: THIS PLAN IS NOT A LEGAL ENGINEERING DOCUMENT UNLESS IT IS SIGNED BY THE ENGINEER AND APPROVED FOR PUBLICATION IS KEPT ON FILE AT THE WASHINGTON STATE DEPARTMENT OF TRANSPORTATION. A COPY MAY BE OBTAINED UPON REQUEST.

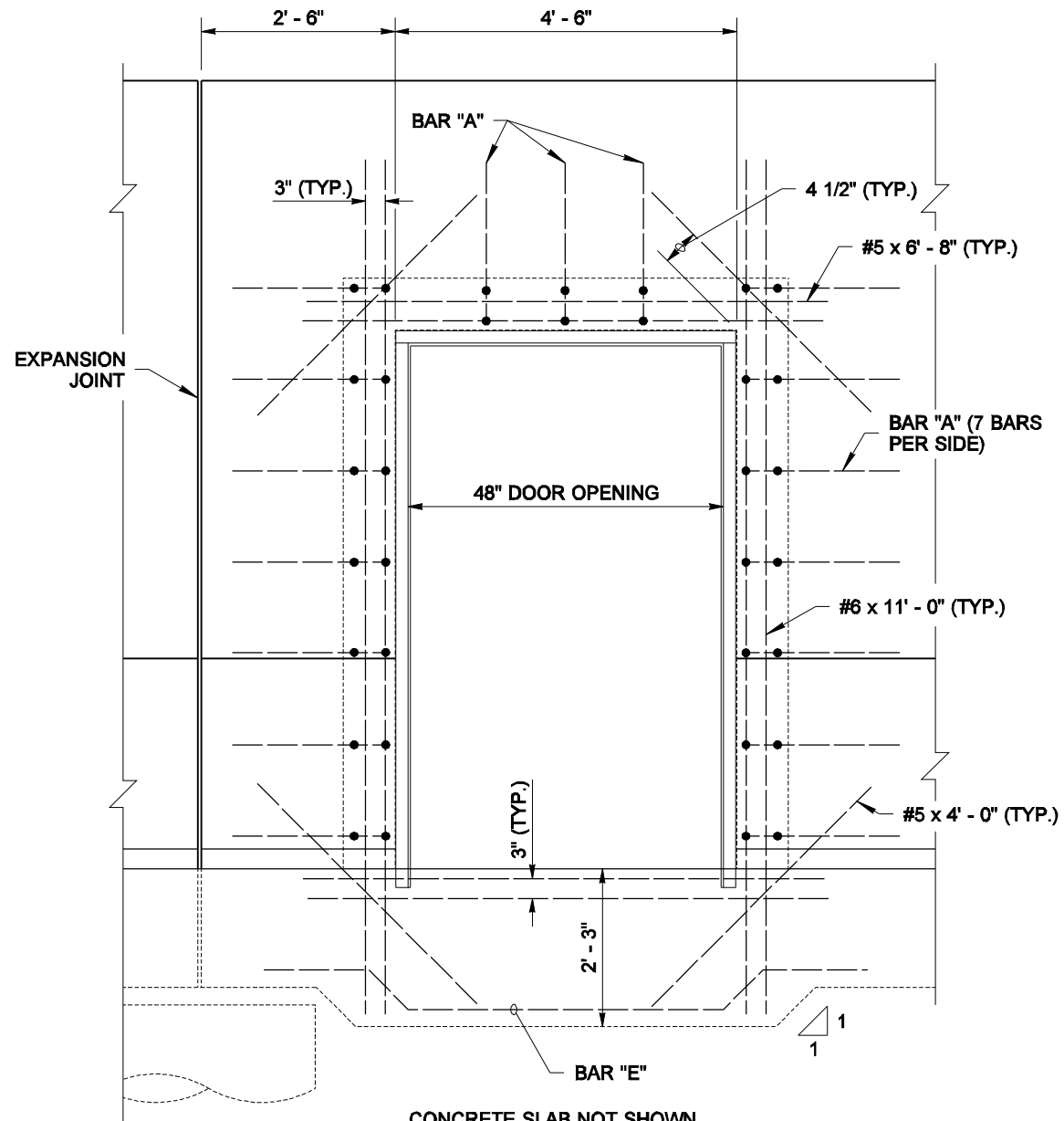
**NOISE BARRIER WALL
ACCESS DOOR TYPE 4
STANDARD PLAN D-2.86-00**

SHEET 1 OF 2 SHEETS

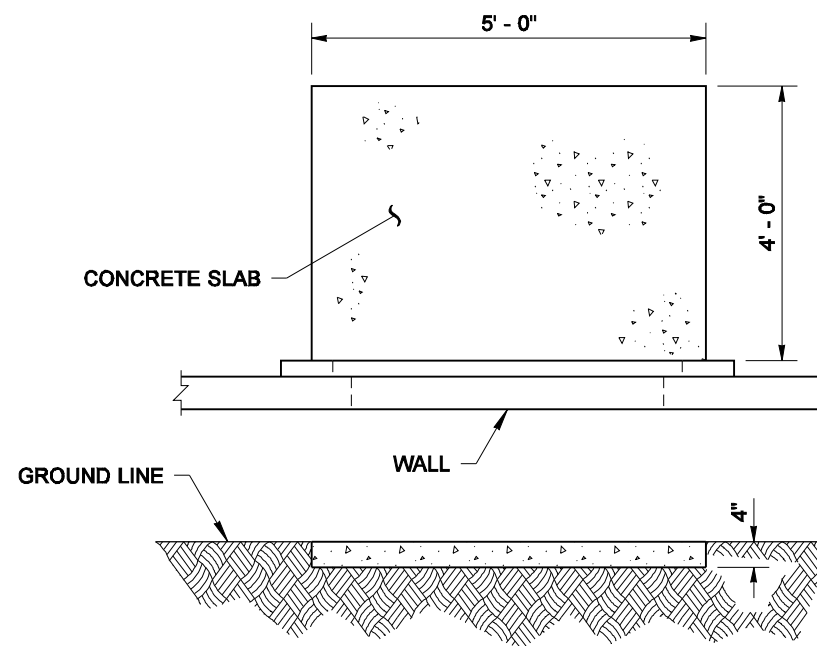
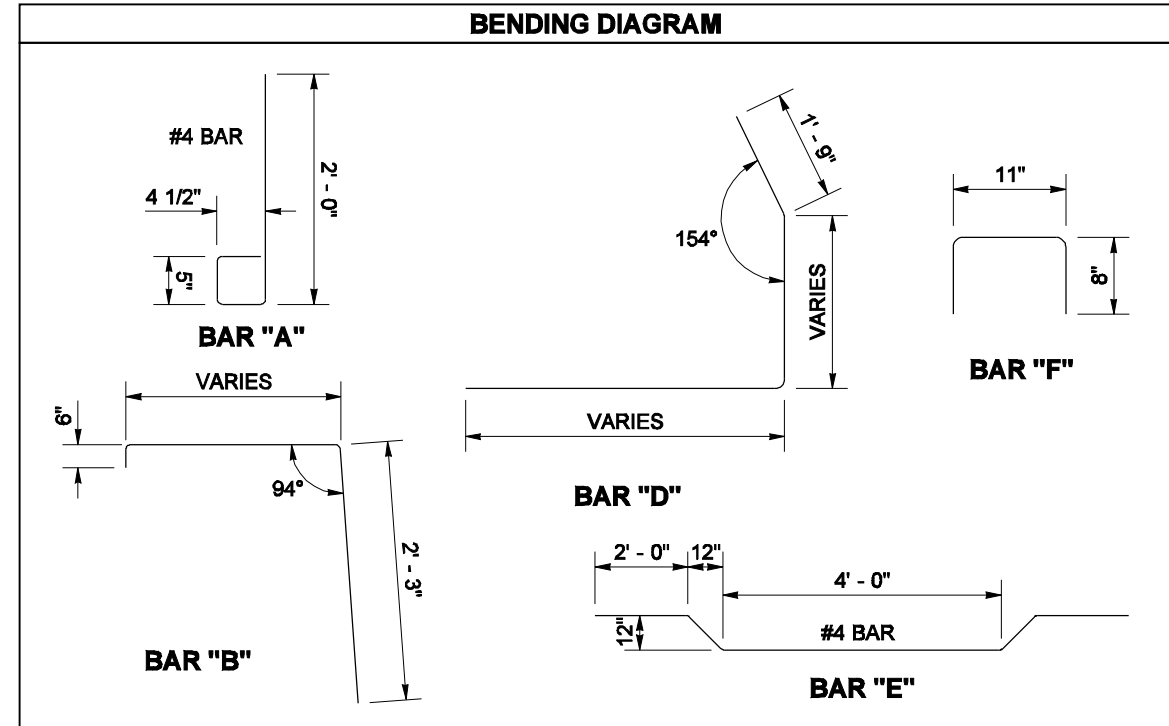
APPROVED FOR PUBLICATION

Harold J. Peterfeso 11-10-05
STATE DESIGN ENGINEER DATE





CONCRETE SLAB NOT SHOWN
DOOR DETAIL
(SEE NOTE 2)



CONCRETE SLAB DETAIL

**FOR PRECAST WALL W/
TRAFFIC BARRIER ON
SHAFT FOUNDATION**



EXPIRES AUGUST 23, 2006

NOTE: THIS PLAN IS NOT A LEGAL ENGINEERING DOCUMENT BUT AN ELECTRONIC DUPLICATE. THE ORIGINAL, SIGNED BY THE ENGINEER AND APPROVED FOR PUBLICATION, IS KEPT ON FILE AT THE WASHINGTON STATE DEPARTMENT OF TRANSPORTATION. A COPY MAY BE OBTAINED UPON REQUEST.

**NOISE BARRIER WALL
ACCESS DOOR TYPE 4
STANDARD PLAN D-2.86-00**

SHEET 2 OF 2 SHEETS

APPROVED FOR PUBLICATION

Harold J. Peterfeso 11-10-05
STATE DESIGN ENGINEER DATE

