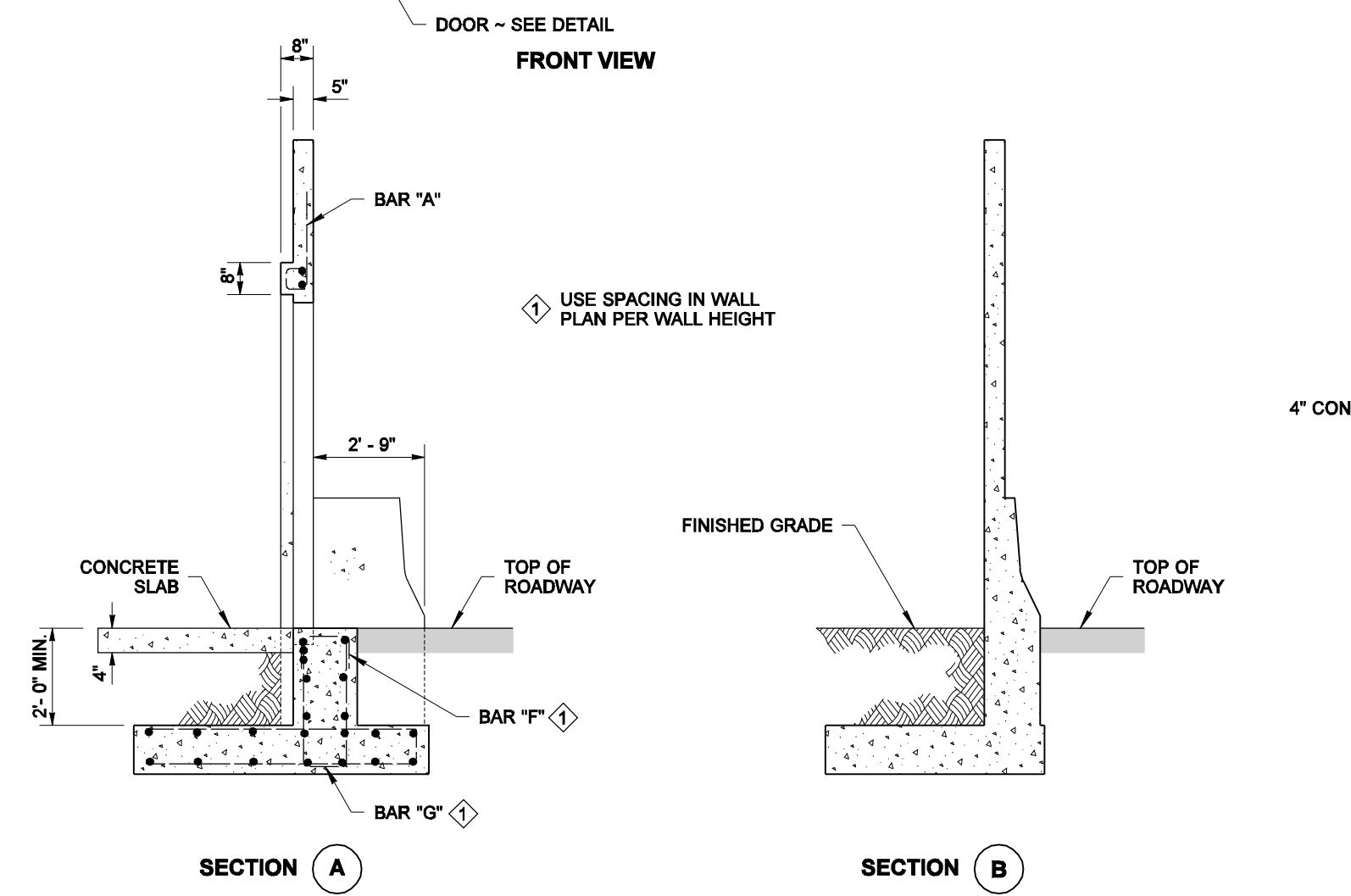
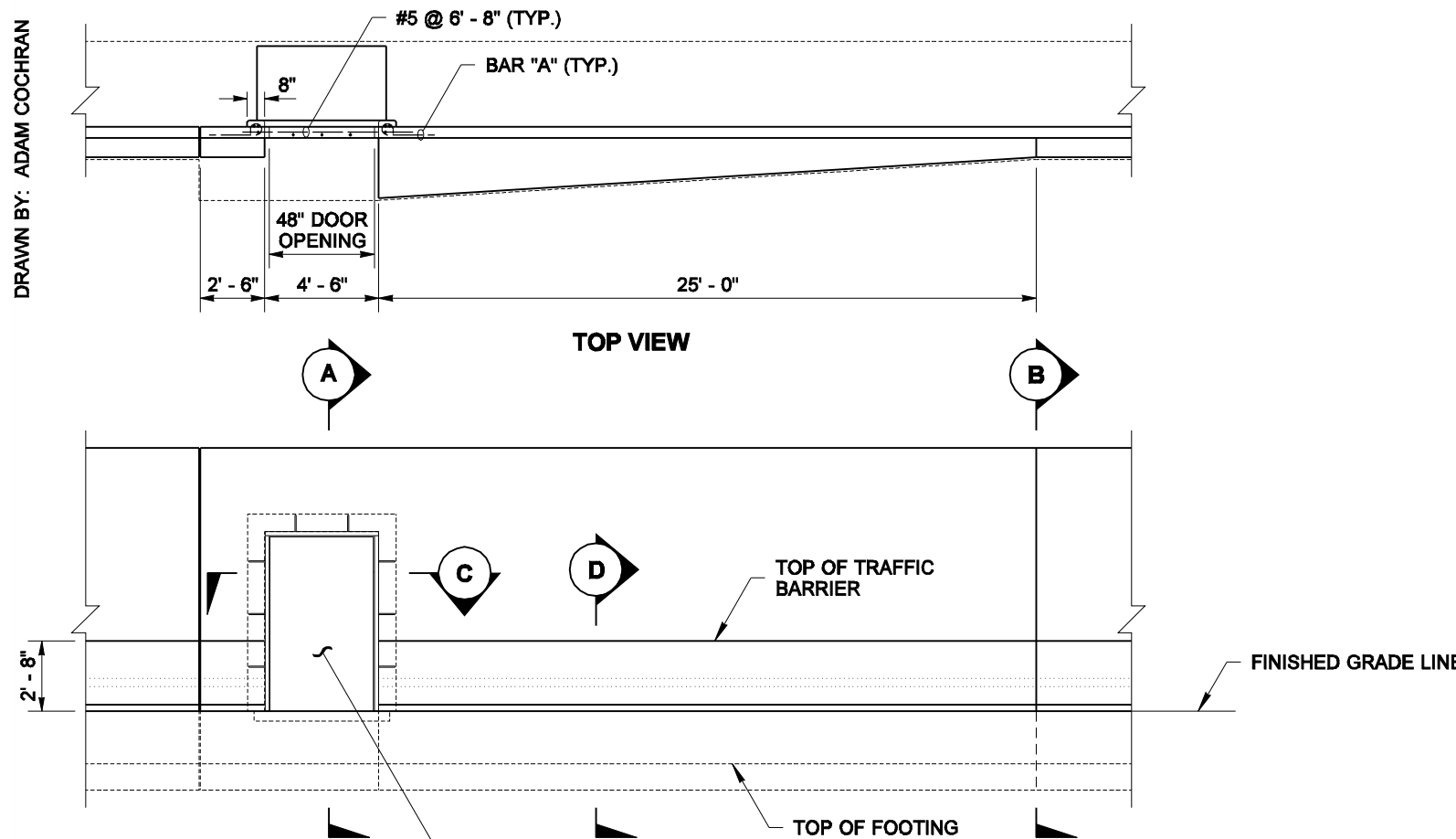
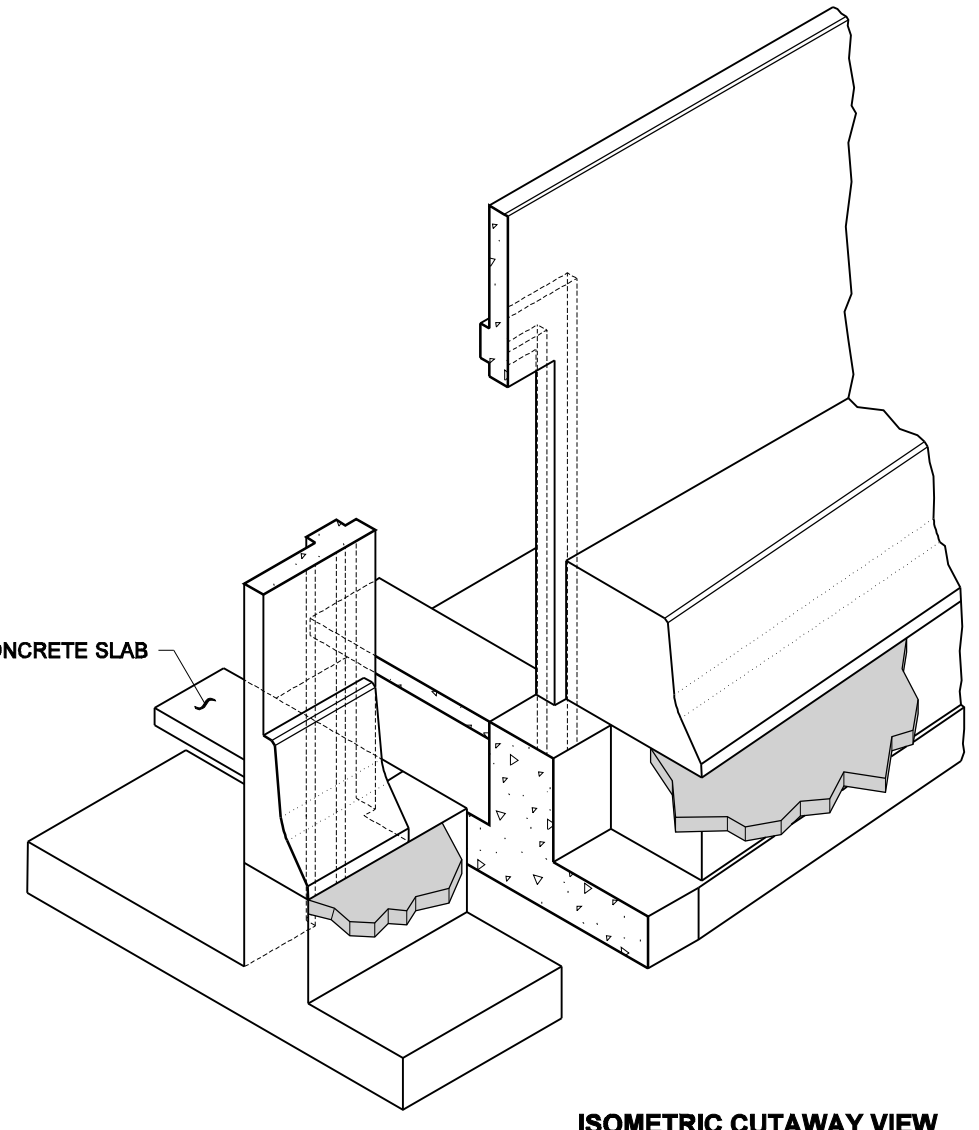
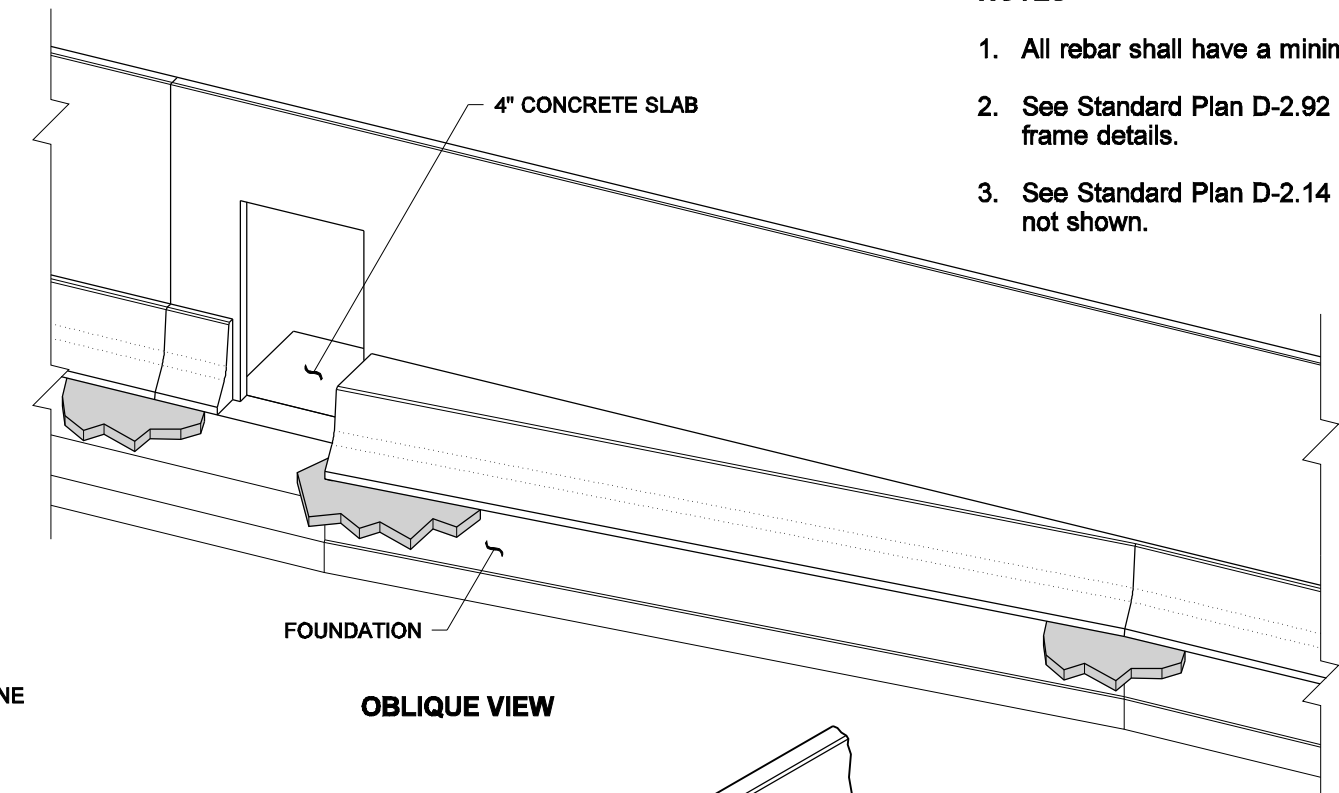


DRAWN BY: ADAM COCHRAN



NOTES

1. All rebar shall have a minimum 1 1/2" cover.
2. See Standard Plan D-2.92 for door and frame details.
3. See Standard Plan D-2.14 for wall reinforcement not shown.



**FOR CAST-IN-PLACE WALL
W/ TRAFFIC BARRIER**



EXPIRES AUGUST 23, 2006

NOTE: THIS PLAN IS NOT A LEGAL ENGINEERING DOCUMENT UNLESS IT IS SIGNED BY THE ENGINEER AND APPROVED FOR PUBLICATION. IT IS KEPT ON FILE AT THE WASHINGTON STATE DEPARTMENT OF TRANSPORTATION. A COPY MAY BE OBTAINED UPON REQUEST.

**NOISE BARRIER WALL
ACCESS DOOR TYPE 2
STANDARD PLAN D-2.82-00**

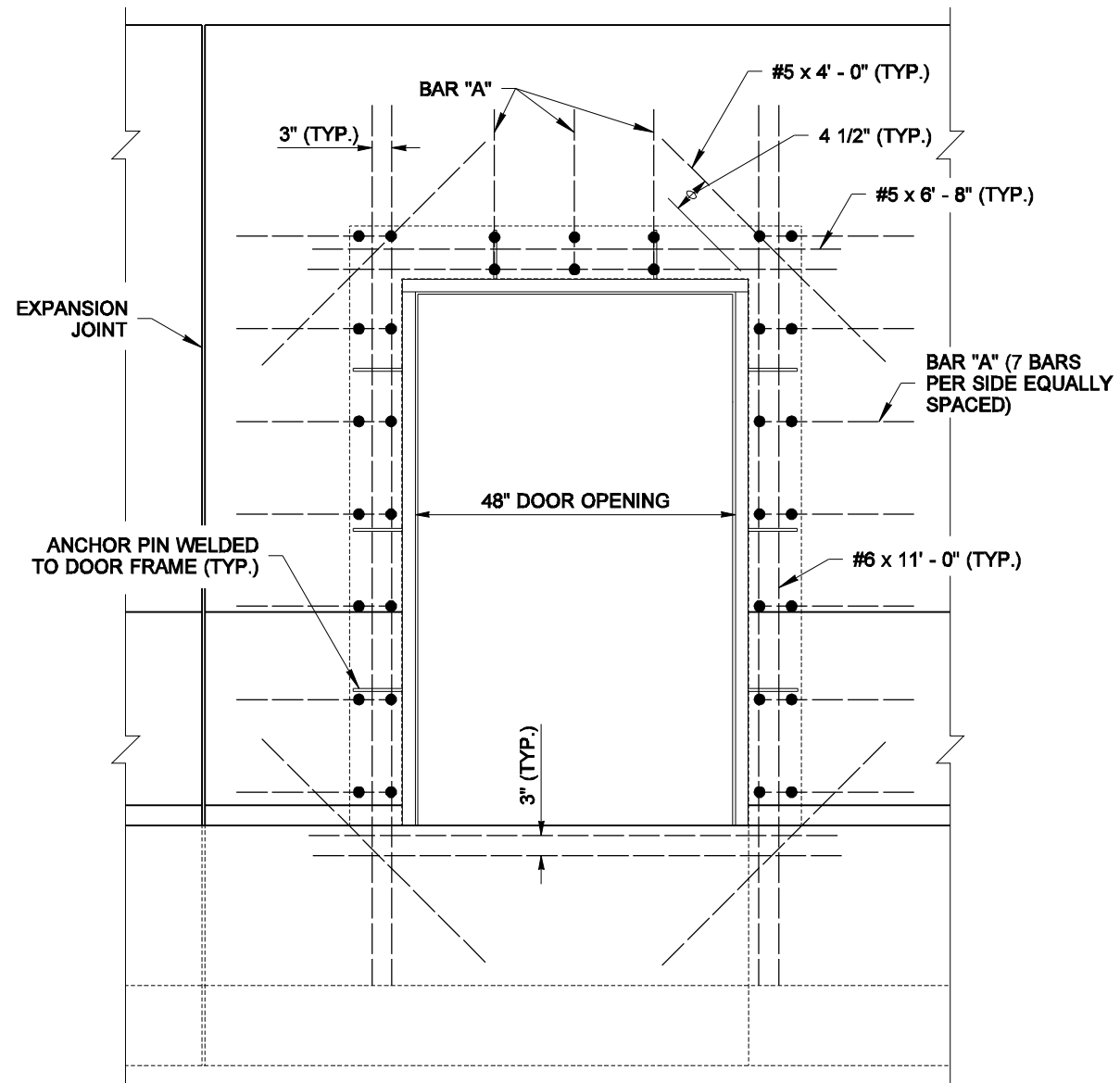
SHEET 1 OF 2 SHEETS

APPROVED FOR PUBLICATION

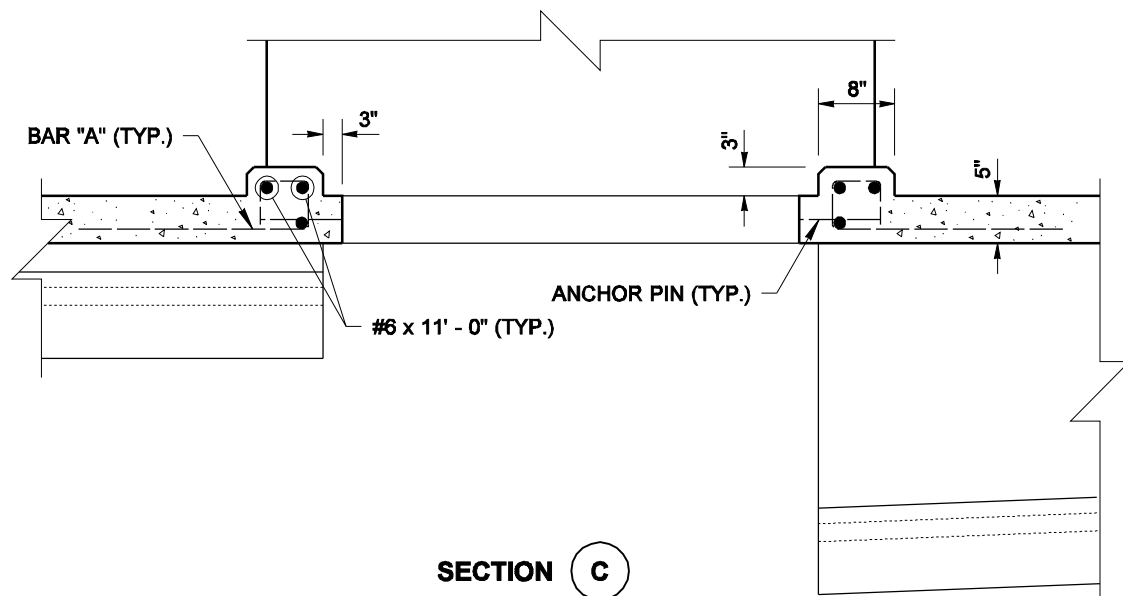
Harold J. Peterfeso 11-10-05
STATE DESIGN ENGINEER DATE



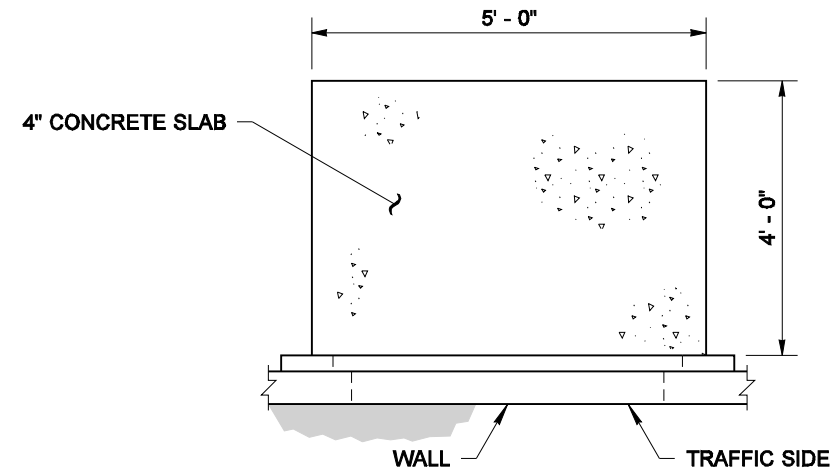
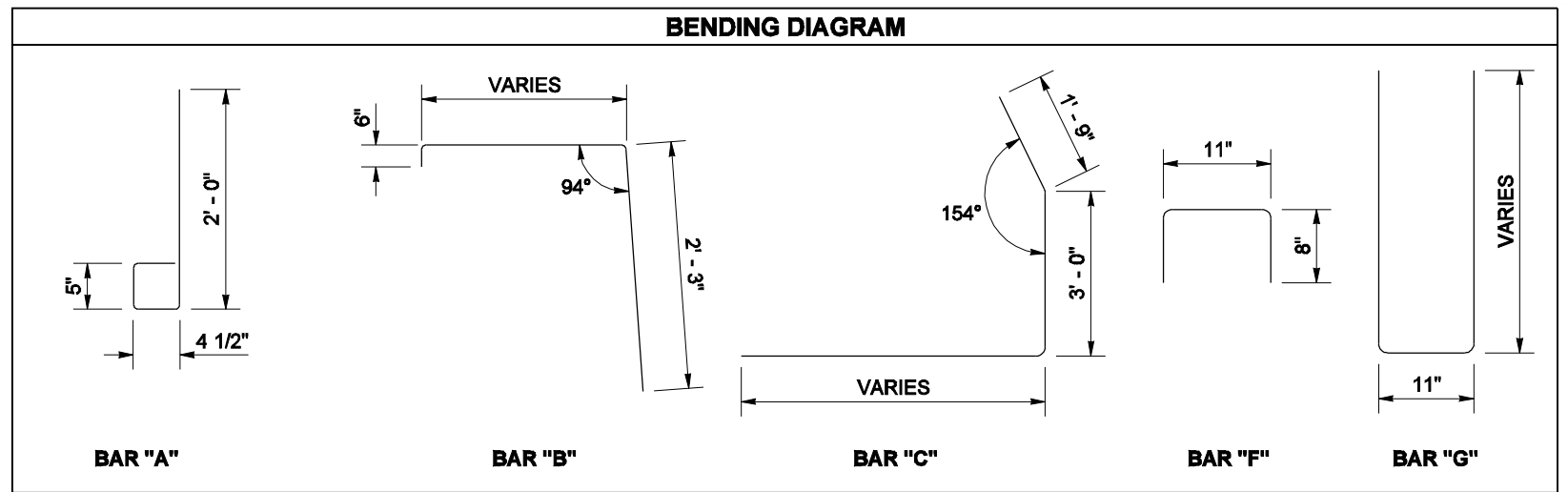
DRAWN BY: ADAM COCHRAN



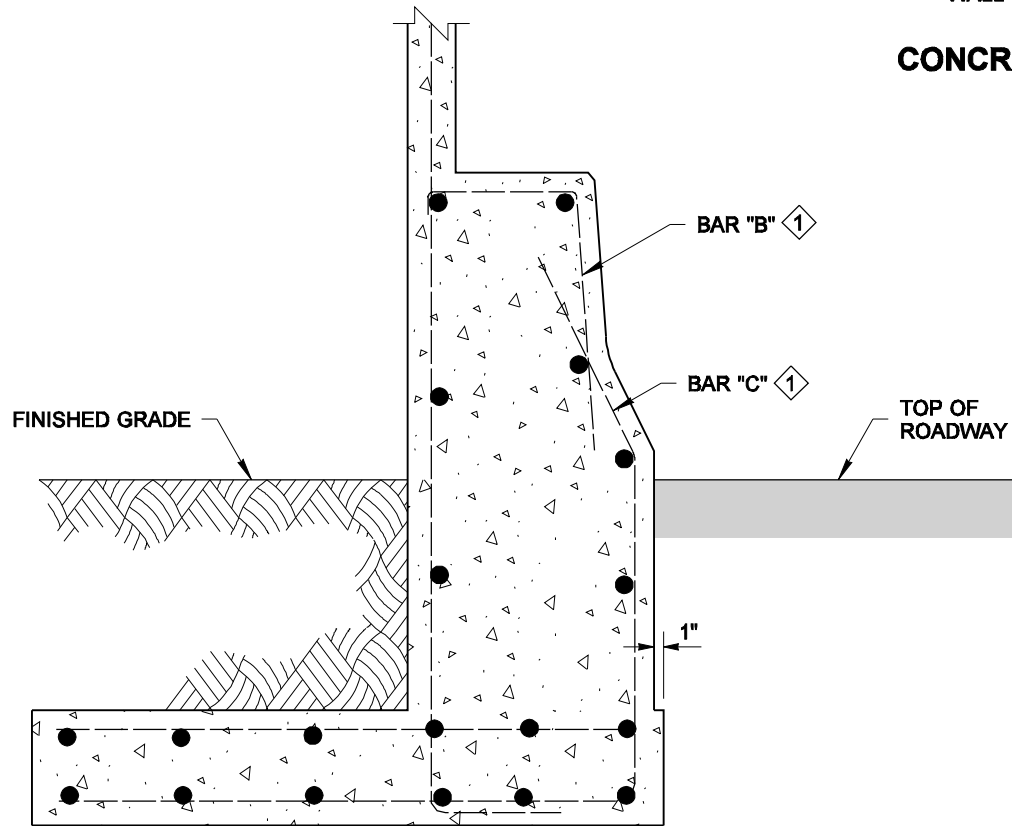
DOOR DETAIL
(SEE NOTE 2)



SECTION C



CONCRETE SLAB DETAIL



SECTION D

**FOR CAST-IN-PLACE WALL
W/ TRAFFIC BARRIER**



EXPIRES AUGUST 23, 2006

NOTE: THIS PLAN IS NOT A LEGAL ENGINEERING DOCUMENT UNLESS IT IS SIGNED BY THE ENGINEER AND APPROVED FOR PUBLICATION IS KEPT ON FILE AT THE WASHINGTON STATE DEPARTMENT OF TRANSPORTATION. A COPY MAY BE OBTAINED UPON REQUEST.

**NOISE BARRIER WALL
ACCESS DOOR TYPE 2
STANDARD PLAN D-2.82-00**

SHEET 2 OF 2 SHEETS

APPROVED FOR PUBLICATION

Harold J. Peterfeso 11-10-05

STATE DESIGN ENGINEER

DATE



Washington State Department of Transportation