

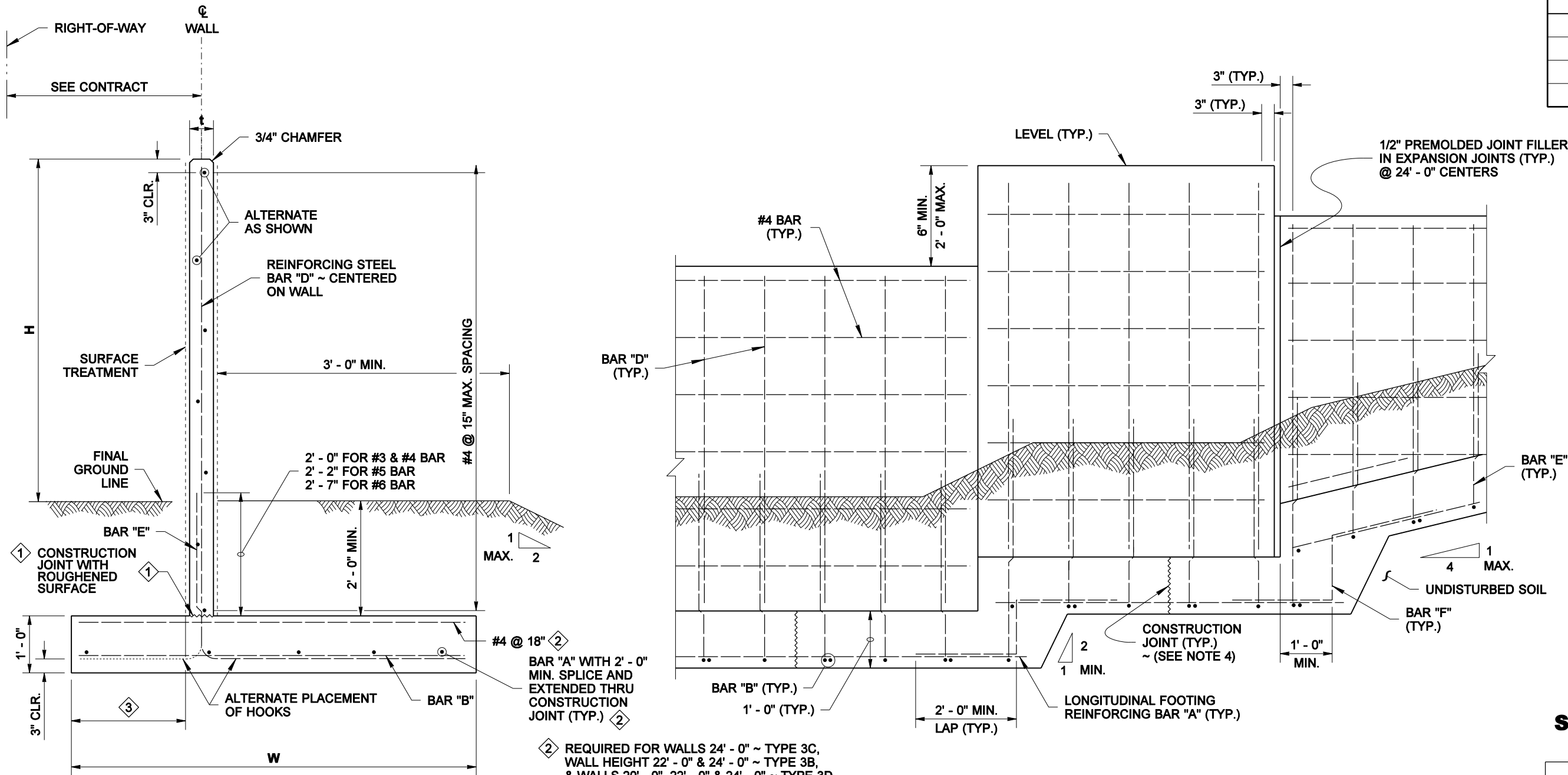
WALL HT H	TYPE 3A					TYPE 3B					TYPE 3C					TYPE 3D					WALL HT H
	W	t	BARS "A"&"F"	BAR "B"	BARS "D"&"E"	W	t	BARS "A"&"F"	BAR "B"	BARS "D"&"E"	W	t	BARS "A"&"F"	BAR "B"	BARS "D"&"E"	W	t	BARS "A"&"F"	BAR "B"	BARS "D"&"E"	
6' - 0"	2' - 0"	5"	3 ~ #4	#4 @ 18"	#3 @ 15"	2' - 3"	5"	3 ~ #4	#4 @ 18"	#3 @ 12"	2' - 0"	5"	3 ~ #4	#4 @ 18"	#3 @ 15"	2' - 6"	5"	3 ~ #4	#4 @ 18"	#3 @ 11"	6' - 0"
8' - 0"	2' - 3"	5"	3 ~ #4	#4 @ 18"	#3 @ 12"	2' - 9"	5"	3 ~ #4	#4 @ 18"	#4 @ 15"	2' - 6"	5"	3 ~ #4	#4 @ 18"	#3 @ 10"	3' - 3"	5"	5 ~ #4	#4 @ 18"	#4 @ 12"	8' - 0"
10' - 0"	2' - 6"	5"	3 ~ #4	#4 @ 18"	#3 @ 9"	3' - 3"	5"	5 ~ #4	#4 @ 18"	#4 @ 10"	2' - 9"	5"	3 ~ #4	#4 @ 18"	#4 @ 12"	3' - 6"	5"	5 ~ #4	#4 @ 18"	#4 @ 10"	10' - 0"
12' - 0"	3' - 0"	5"	3 ~ #4	#4 @ 18"	#4 @ 12"	3' - 9"	5"	5 ~ #4	#4 @ 18"	#4 @ 10"	3' - 3"	5"	3 ~ #4	#4 @ 18"	#4 @ 10"	4' - 3"	5"	5 ~ #4	#4 @ 18"	#5 @ 12"	12' - 0"
14' - 0"	3' - 3"	5"	3 ~ #4	#4 @ 18"	#4 @ 10"	4' - 3"	5"	5 ~ #4	#4 @ 18"	#5 @ 11"	3' - 9"	5"	5 ~ #4	#4 @ 18"	#4 @ 9"	5' - 3"	5"	5 ~ #4	#4 @ 18"	#5 @ 8"	14' - 0"
16' - 0"	3' - 9"	5"	5 ~ #4	#4 @ 18"	#4 @ 9"	5' - 3"	5"	5 ~ #4	#4 @ 18"	#6 @ 12"	4' - 3"	5"	5 ~ #4	#4 @ 18"	#5 @ 11"	6' - 3"	5"	5 ~ #4	#4 @ 18"	#6 @ 9"	16' - 0"
18' - 0"	4' - 0"	5"	5 ~ #4	#4 @ 18"	#5 @ 11"	6' - 0"	5"	5 ~ #4	#4 @ 18"	#6 @ 9"	5' - 0"	5"	5 ~ #4	#4 @ 18"	#6 @ 12"	7' - 0"	6"	5 ~ #4	#4 @ 18"	#6 @ 9"	18' - 0"
20' - 0"	5' - 0"	5"	5 ~ #4	#4 @ 18"	#6 @ 12"	7' - 0"	6"	5 ~ #4	#4 @ 18"	#6 @ 9"	5' - 9"	5"	5 ~ #4	#4 @ 18"	#6 @ 9"	8' - 0"	6"	6 ~ #4	#4 @ 12"	#6 @ 6"	20' - 0"
22' - 0"	5' - 6"	5"	5 ~ #4	#4 @ 18"	#6 @ 9"	7' - 9"	6"	6 ~ #4	#4 @ 12"	#6 @ 6"	6' - 6"	6"	5 ~ #4	#4 @ 18"	#6 @ 9"	9' - 0"	7"	7 ~ #4	#4 @ 12"	#6 @ 6"	22' - 0"
24' - 0"	6' - 3"	5"	5 ~ #4	#4 @ 18"	#6 @ 9"	8' - 6"	7"	6 ~ #4	#4 @ 12"	#6 @ 6"	7' - 6"	6"	6 ~ #4	#4 @ 12"	#6 @ 6"	9' - 9"	7"	7 ~ #4	#4 @ 15"	#6 @ 6"	24' - 0"

t = WALL THICKNESS

**NOTES**

- Wall to be designated Noise Barrier Wall Type 3A, 3B, 3C or 3D. The Contract specifies actual wall designations.
- For intermediate wall heights not listed, use the next higher H.
- Panels shall have at least 3 feet of level ground on each side.
- Construction joints in the footing shall be spaced at 120 feet maximum.

WIND EXPOSURE & VELOCITY		
NOISE BARRIER TYPE	WIND EXPOSURE	WIND VELOCITY (MPH)
3A	B1	80
3B	B1	90
3C	B2	80
3D	B2	90



**TYPICAL SECTION**

**ELEVATION**

- ② REQUIRED FOR WALLS 24' - 0" ~ TYPE 3C, WALL HEIGHT 22' - 0" & 24' - 0" ~ TYPE 3B, & WALLS 20' - 0", 22' - 0" & 24' - 0" ~ TYPE 3D
- ③ WHEN W IS : < 2' - 6" ..... CENTER WALL ON FOOTING  
 2' - 6" ≤ W < 4' - 6" ..... DIM. = 1' - 0"  
 ≥ 4' - 6" ..... DIM. = 2' - 0"

**CAST-IN-PLACE CONCRETE WALL ON OFFSET SPREAD FOOTING**



NOTE: THIS PLAN IS NOT A LEGAL ENGINEERING DOCUMENT. NO ENGINEERING OR DESIGN SERVICES ARE BEING PROVIDED BY THE ENGINEER UNLESS SPECIFICALLY STATED OTHERWISE. THIS PLAN IS FILED AT THE WASHINGTON STATE DEPARTMENT OF TRANSPORTATION. A COPY MAY BE OBTAINED UPON REQUEST.

**NOISE BARRIER WALL TYPE 3**

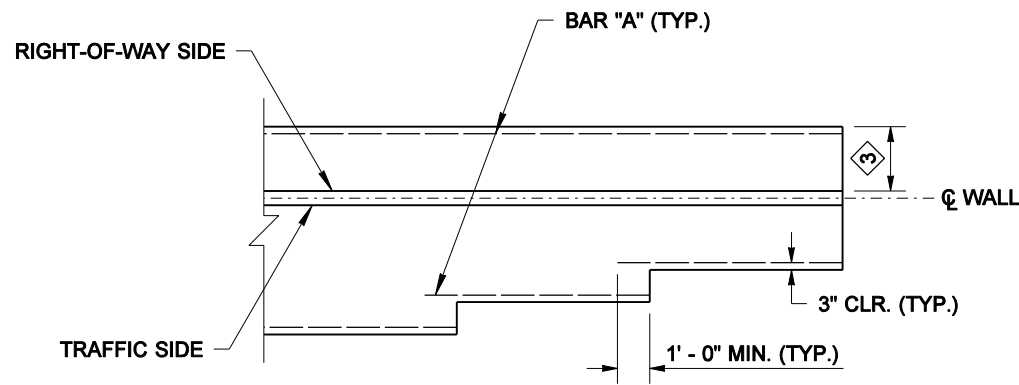
**STANDARD PLAN D-2.06-01**

SHEET 1 OF 2 SHEETS

APPROVED FOR PUBLICATION

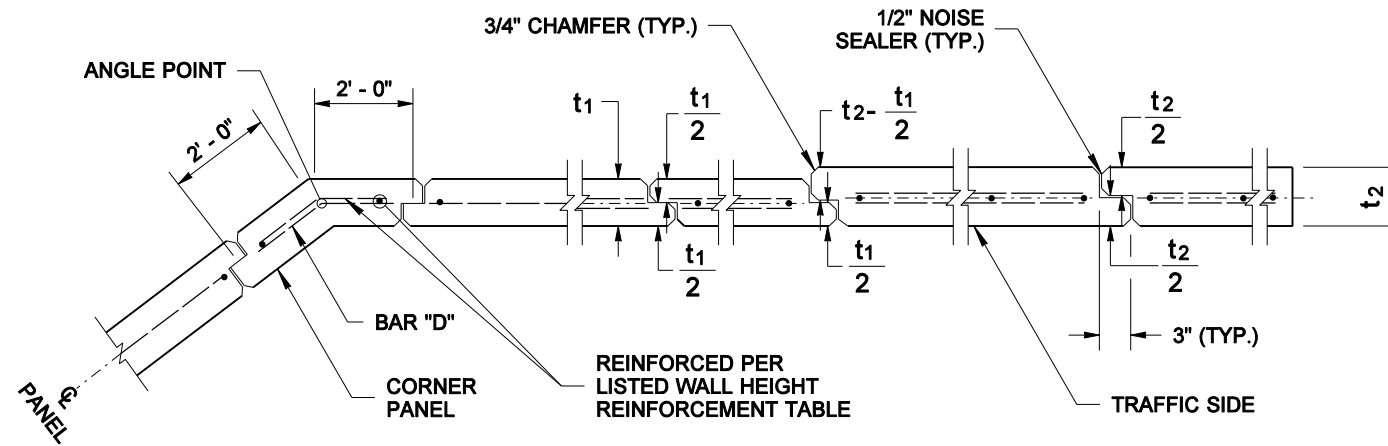
**Pasco Bakotich III** 01-06-09  
 STATE DESIGN ENGINEER DATE





(TRANSVERSE BARS NOT SHOWN)

**FOOTING WIDTH TRANSITION DETAIL**  
FOR LOCATIONS WITHOUT FOOTING STEP



**JOINT AND CORNER DETAIL**

**CAST-IN-PLACE CONCRETE  
WALL ON OFFSET  
SPREAD FOOTING**



NOTE: THIS PLAN IS NOT A LEGAL ENGINEERING DOCUMENT UNTIL IT IS APPROVED FOR PUBLICATION BY THE ENGINEER AND APPROVED FOR BY THE STATE OF WASHINGTON. THIS PLAN IS NOT VALID FOR CONSTRUCTION WITHOUT THE SIGNATURE AND SEAL OF THE ENGINEER. A COPY MAY BE OBTAINED UPON REQUEST.

**NOISE BARRIER WALL  
TYPE 3**

**STANDARD PLAN D-2.06-01**

SHEET 2 OF 2 SHEETS

APPROVED FOR PUBLICATION

**Pasco Bakotich III** 01-06-09

STATE DESIGN ENGINEER

DATE



Washington State Department of Transportation