

**NOTES:**

1. The Beam Guardrail (Type 31) Transition Section Type 25 shall only be used with the Short Radius Guardrail System (SRGS). See Standard Plan C-20.44.
2. This guardrail transition is for connection to a vertical concrete shape, a single slope, or a safety-shape barrier. The toe of the single slope and the safety-shape barrier shall be tapered so that the toe of the barrier does not project past the face of the approach guardrail.
3. See Standard Plan C-24.10 for details regarding connection to bridge rail or traffic barrier.
4. For details of typical components not shown, see Standard Plans - C-1b Beam Guardrail Posts and Blocks - C-7 Beam Guardrail End Sections - C-7a Thrie Beam End Sections - C-20.10 Beam Guardrail Type 31
5. See Standard Plans A-50.10 or A-50.40 for beam guardrail transition grading details at bridge ends.
6. It is permissible to fabricate the anchor plate from 1/4\" (in) thick plates welded to equal strength and dimensions shown.
7. Two Short Anchor Brackets with four (4x) 5/8\" (in) x 1 1/2\" (in) machine bolts w/hex nut and washer each. Place washer on face side of rail.
8. Fasten the Rail Cable Assembly using a single 3/4\" (in) nut and washer at both ends of the cable.
9. An additional 18\" - 9\" W-beam Rail is attached to the back of the Beam Guardrail (Type 31) Transition Section Type 25. This w-beam backrail is directly connected to the posts without blockouts. Fasten the \"W-Beam End Section - Design C\" to the back of the \"W-Beam Spacer Guardrail with Eyebolt Holes\" using two 5/8\" dia. x 2\" (in) long button head bolts with recessed nuts and round washers. Place the washers under the nuts. Furnishing and installing w-beam backrail, rounded end section and associated hardware shall be included in the Beam Guardrail (Type 31) Transition Section Type 25 Bid Item.



Jul 25, 2024

**BEAM GUARDRAIL (TYPE 31)  
TRANSITION SECTION TYPE 25**

**STANDARD PLAN C-25.32-00**

SHEET 1 OF 2 SHEETS

APPROVED FOR PUBLICATION

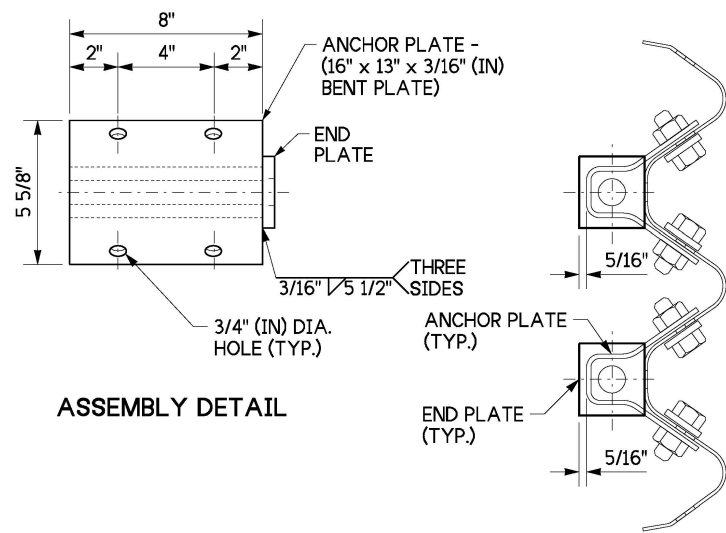
*Mark A. Davis*

Jul 29, 2024

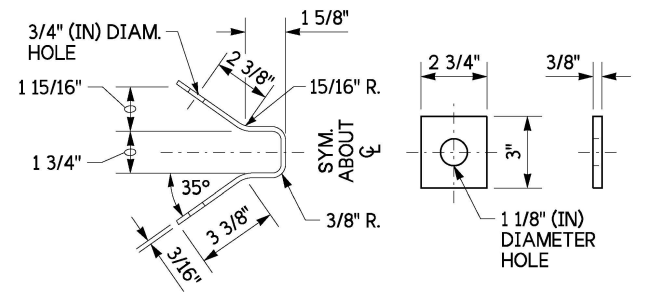
STATE DESIGN ENGINEER



**Washington State  
Department of Transportation**

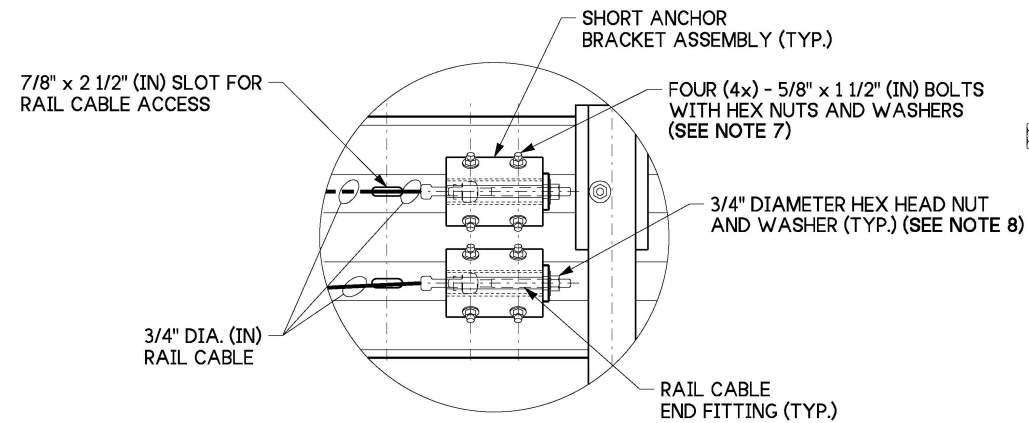


ASSEMBLY DETAIL

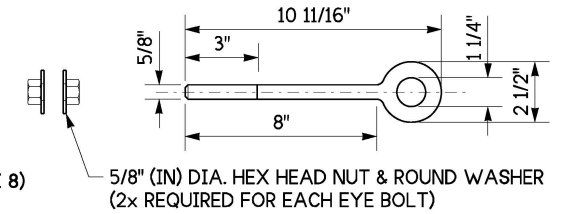


ANCHOR PLATE DETAIL  
(SEE NOTE 6)  
ASTM A36

END PLATE DETAIL  
ASTM A36

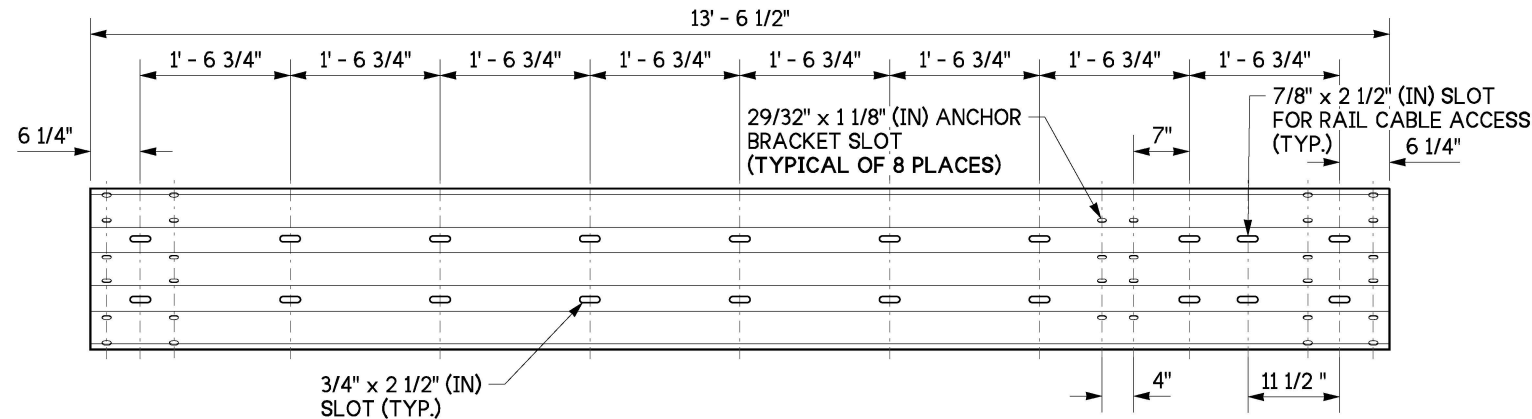


DETAIL ①

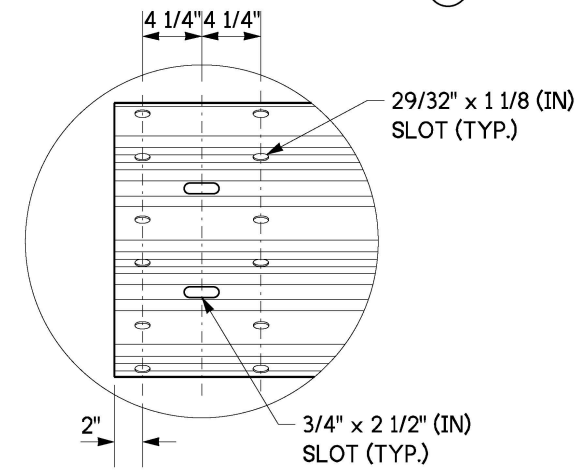


EYE BOLT DETAIL

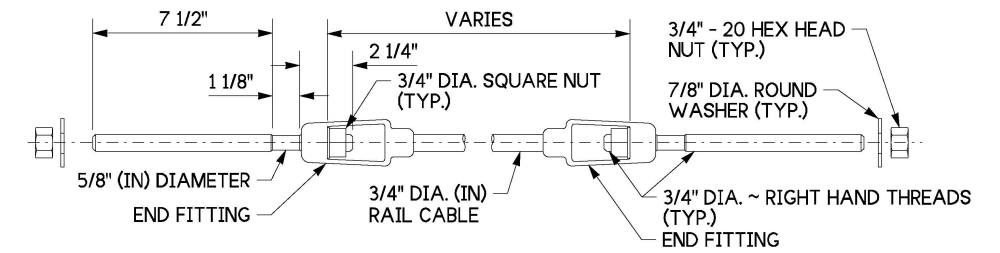
SHORT ANCHOR BRACKET ASSEMBLY DETAIL



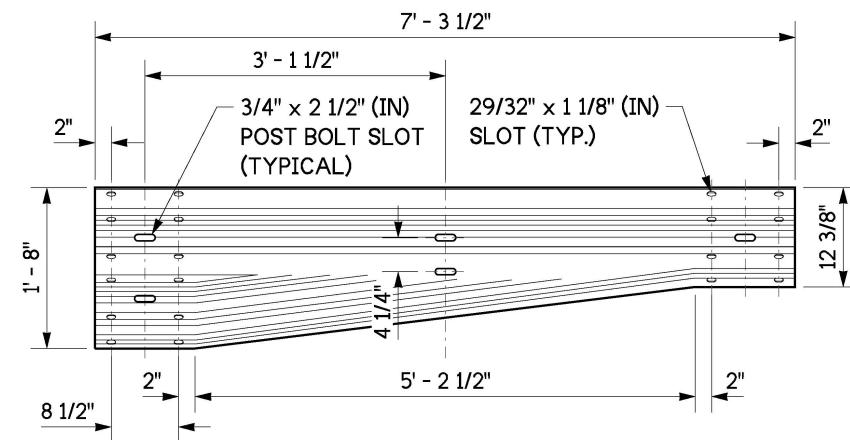
① 8 - SPACE THRIE BEAM GUARDRAIL WITH ANCHOR HOLES & SLOTS (10 GAUGE) DETAIL



TYPICAL THRIE BEAM GUARDRAIL SECTION END DETAIL

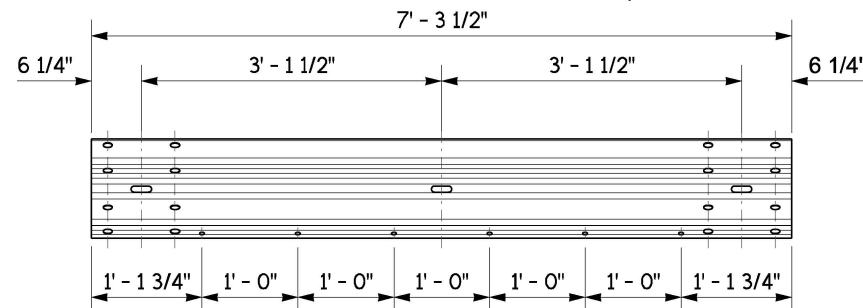


RAIL CABLE WITH END FITTINGS DETAIL

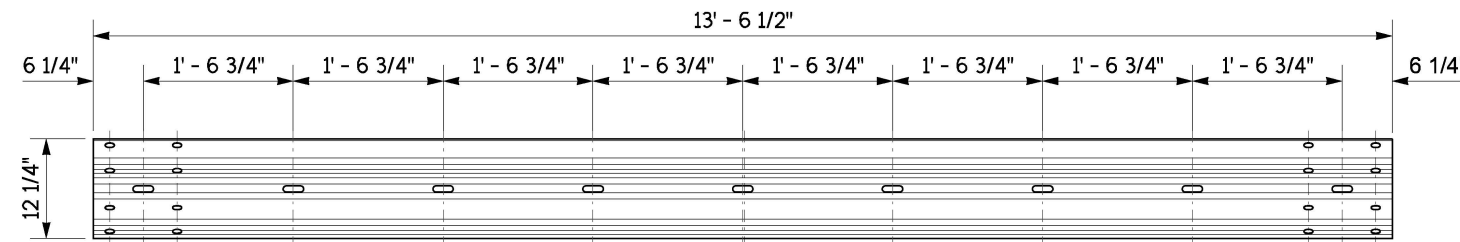


② REDUCER ELEMENT TYPE C (10 GAUGE) DETAIL

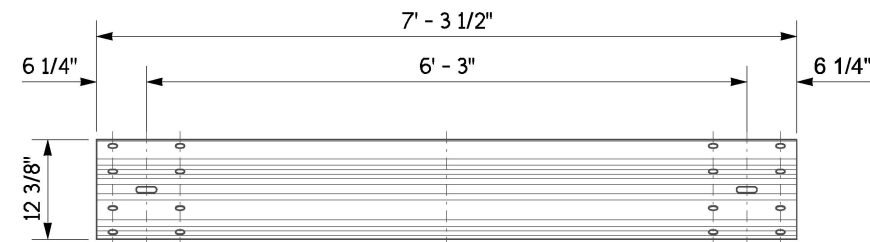
(LEFT REDUCER SHOWN - RIGHT REDUCER IS MIRROR IMAGE OF LEFT)



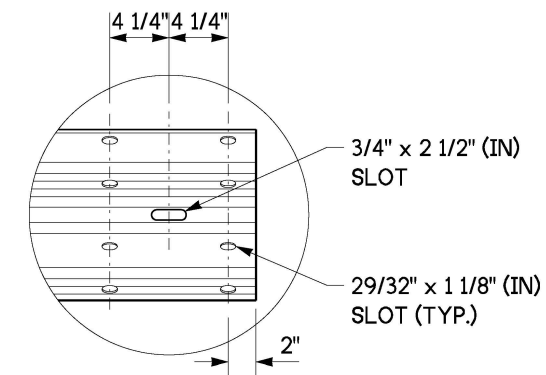
③ W-BEAM SPACER GUARDRAIL WITH EYE BOLT HOLES (10 GAUGE) DETAIL



④ 8 - SPACE W-BEAM GUARDRAIL (10 GAUGE) DETAIL



⑤ W-BEAM SPACER GUARDRAIL (10 GAUGE) DETAIL



TYPICAL W-BEAM GUARDRAIL SECTION END DETAIL



Jul 25, 2024

BEAM GUARDRAIL (TYPE 31)  
TRANSITION SECTION TYPE 25

STANDARD PLAN C-25.32-00

SHEET 2 OF 2 SHEETS

APPROVED FOR PUBLICATION

*Mark A. Plaines*

Jul 29, 2024

STATE DESIGN ENGINEER

Washington State  
Department of Transportation