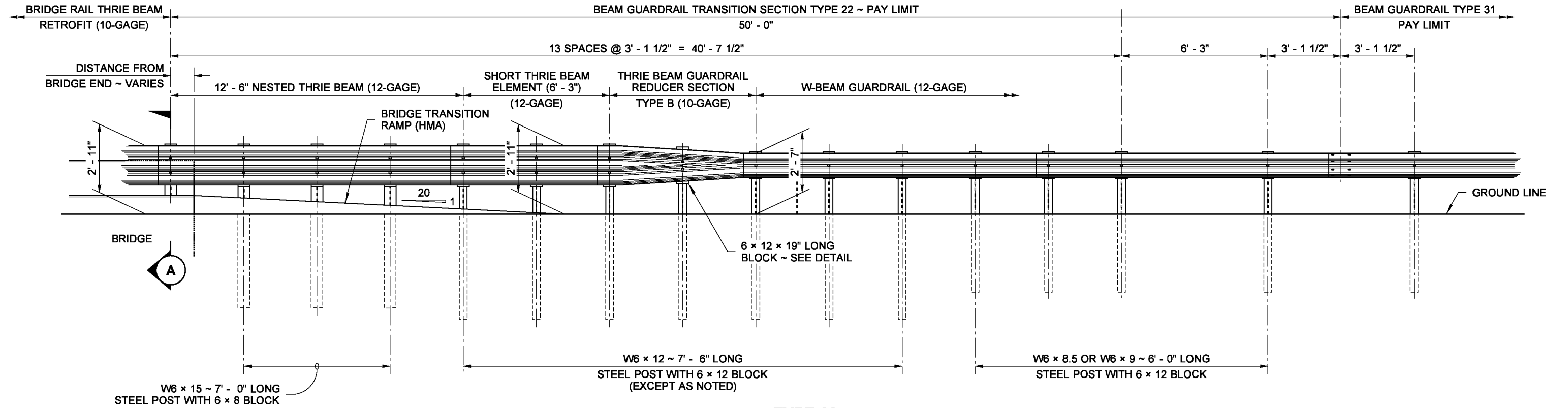
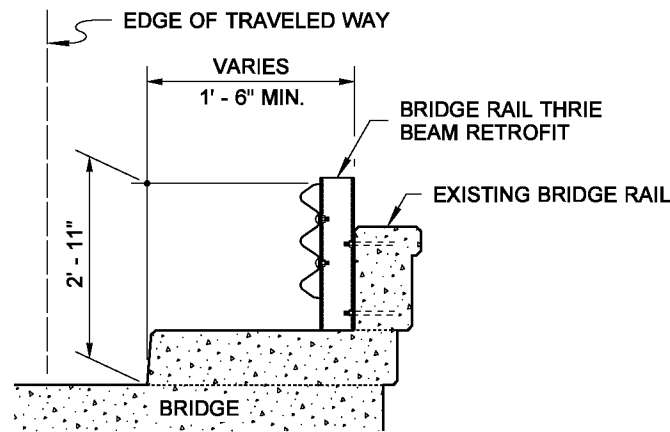


**NOTES**

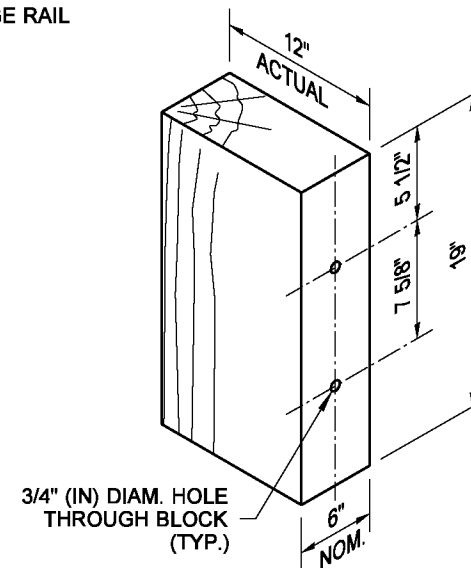
1. See **Standard Plans C-1b, C-1d, C-20.10, and C-25.20** for rail elements and thrie beam block details.
2. When a transition is required on the trailing end of the bridge, use a mirror image of this plan.



**TYPE 22**  
**APPROACH END (SHOWN - SEE NOTE 2)**  
 THRIE BEAM INSTALLED AT FACE OF BRIDGE RAIL



**SECTION A**



**THRIE BEAM REDUCER WOOD BLOCK**



**BEAM GUARDRAIL (TYPE 31)  
 TRANSITION SECTION  
 TYPE 22  
 STANDARD PLAN C-25.22-05**

SHEET 1 OF 1 SHEET

APPROVED FOR PUBLICATION