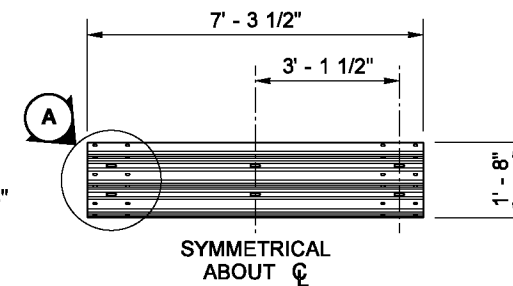
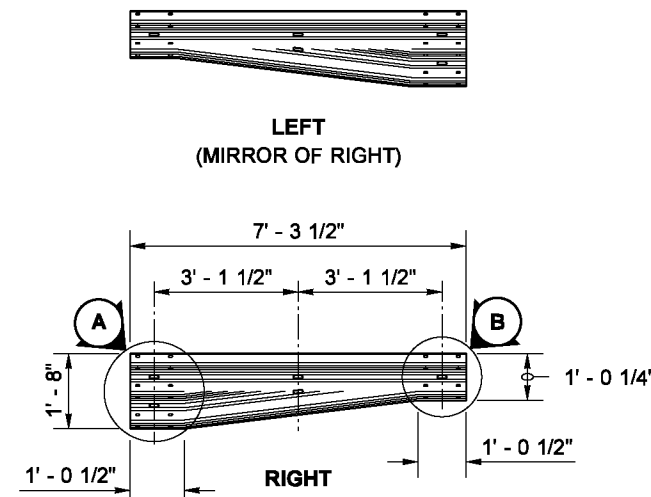
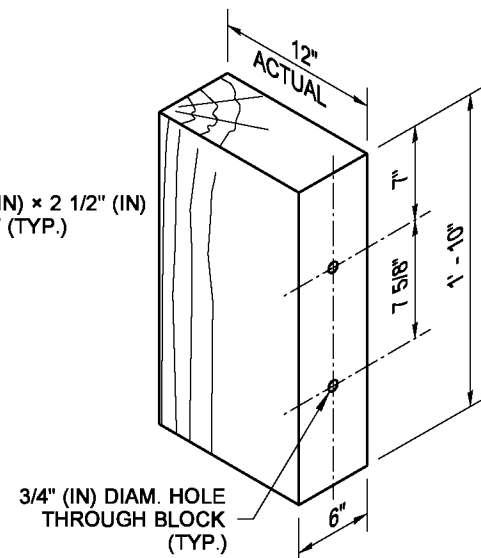
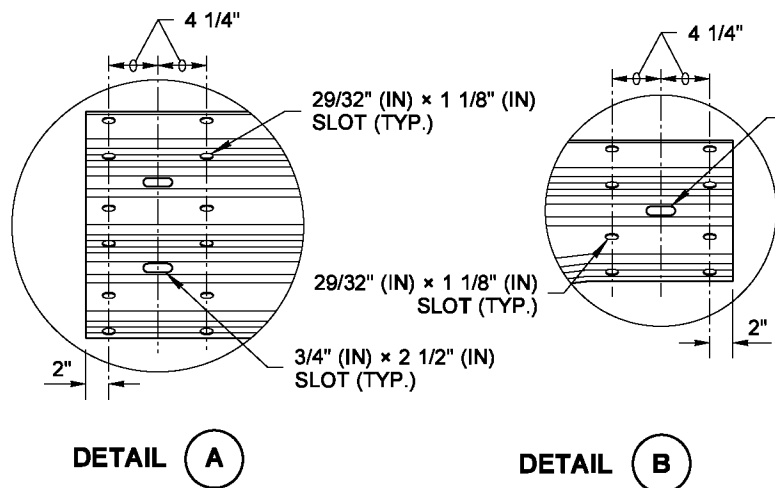
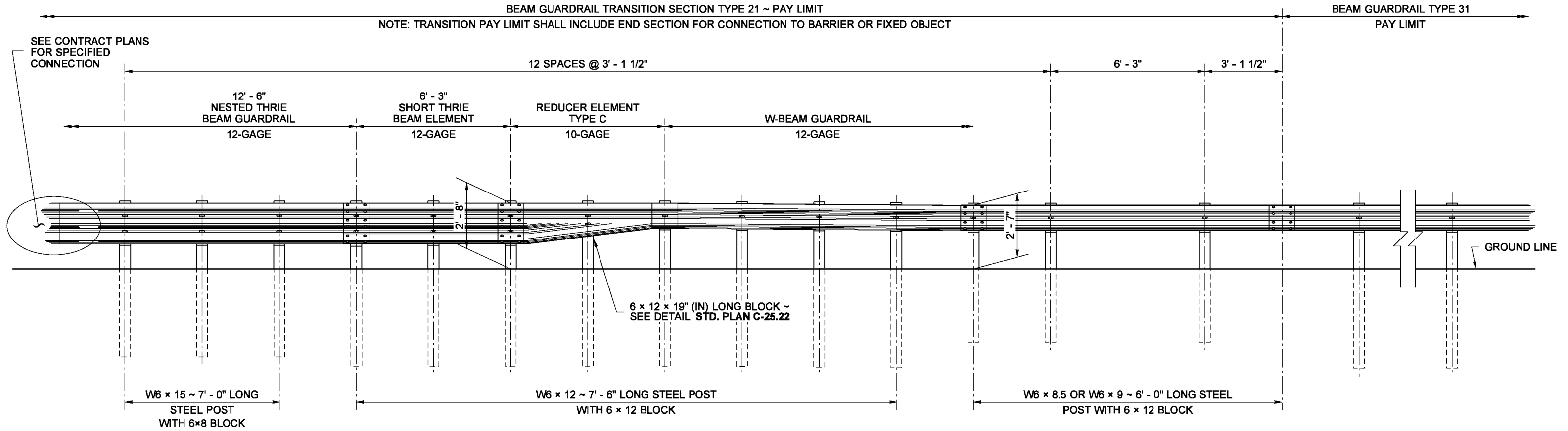


NOTES

1. This guardrail transition is for connection to a vertical concrete shape, a single slope, or a safety-shape barrier. The toe of the single slope and the safety-shape barrier shall be tapered or the barrier blocked out so that the toe of the barrier does not project past the face of the approach guardrail.
2. See **Standard Plan C-24.10** for details regarding connection to bridge rail or traffic barrier.
3. For details of typical components, see **Standard Plans C-1b** and **C-20.10**.



**BEAM GUARDRAIL (TYPE 31)
TRANSITION SECTION
TYPE 21
STANDARD PLAN C-25.20-06**

SHEET 1 OF 1 SHEET

APPROVED FOR PUBLICATION