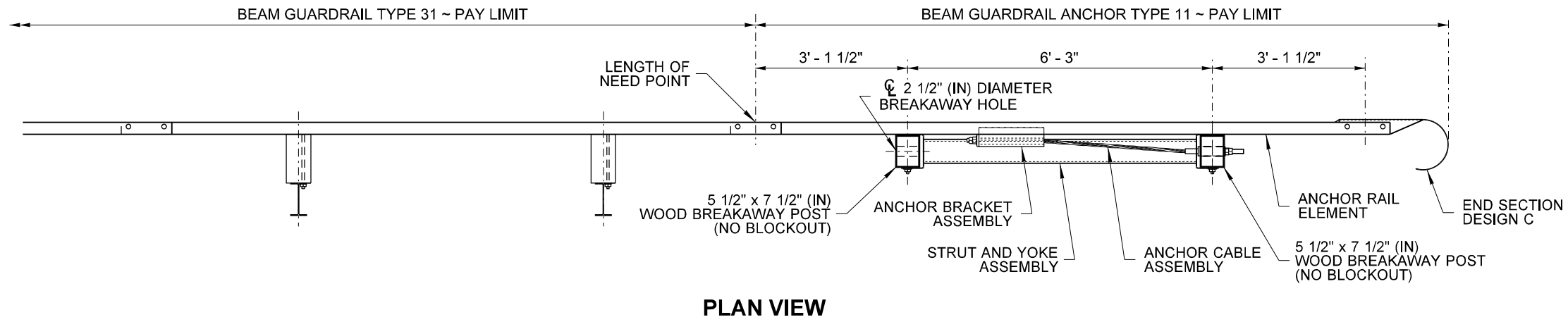
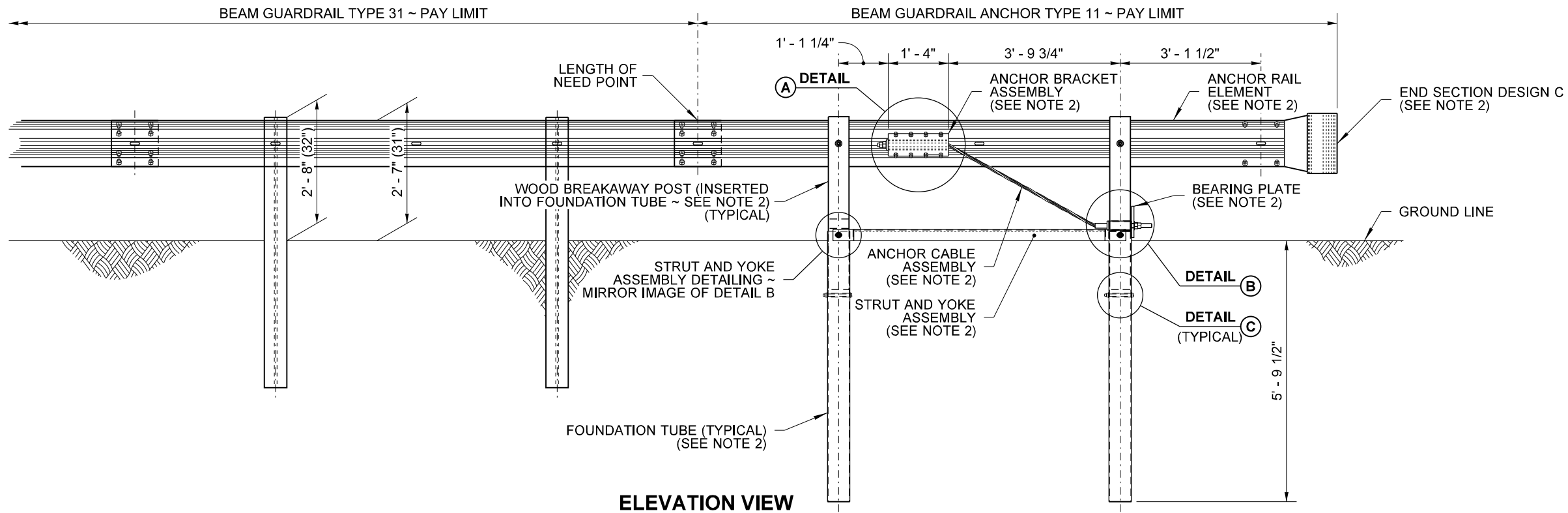


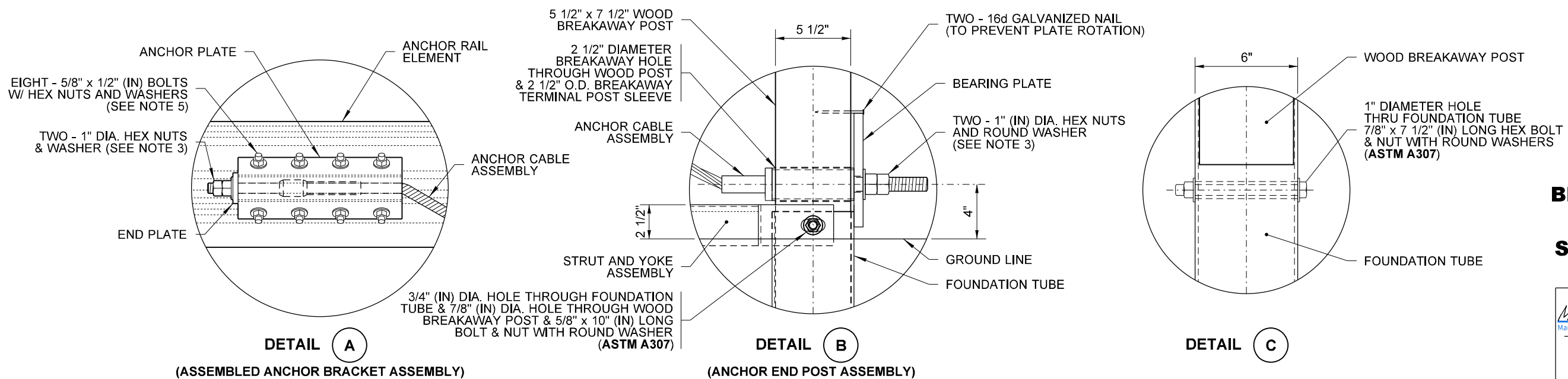
DRAWN BY: BILL BERENS



PLAN VIEW



ELEVATION VIEW



NOTES

1. For typical rail element and post details not shown on this plan refer to Standard Plans **C-20.10** and **C-1b**.
2. For additional details not shown, see **Sheet 2** of this Plan.
3. Fasten the Anchor Cable using two 1" (in) nuts and washer, at both ends of cable. Outside nut shall be torqued against inside nut a minimum of 100 ft.-lbs.
4. It is permissible to fabricate the anchor plate from 1/4" (in) thick plates welded to equal strength and dimensions as shown.
5. Eight 5/8" x 1 1/2" (in) machine bolts with hex nut and washer. Place washer on face side of rail.
6. Galvanizing of Anchor metal components shall be in accordance with **Standard Specification Section 9-16.3(5)**.



Aug 22, 2022

**BEAM GUARDRAIL (TYPE 31)
ANCHOR TYPE 11**

STANDARD PLAN C-23.70-00

SHEET 1 OF 2 SHEETS

APPROVED FOR PUBLICATION

Mark Gaines
Mark Gaines (Aug 22, 2022 10:58 PDT)

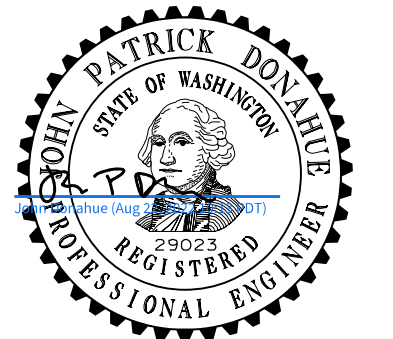
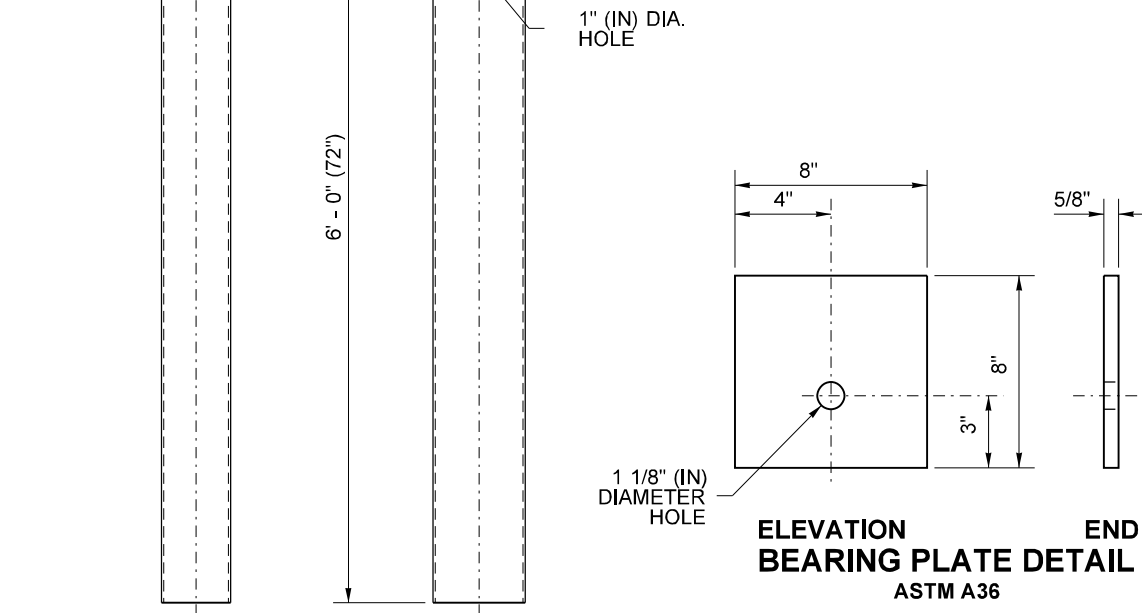
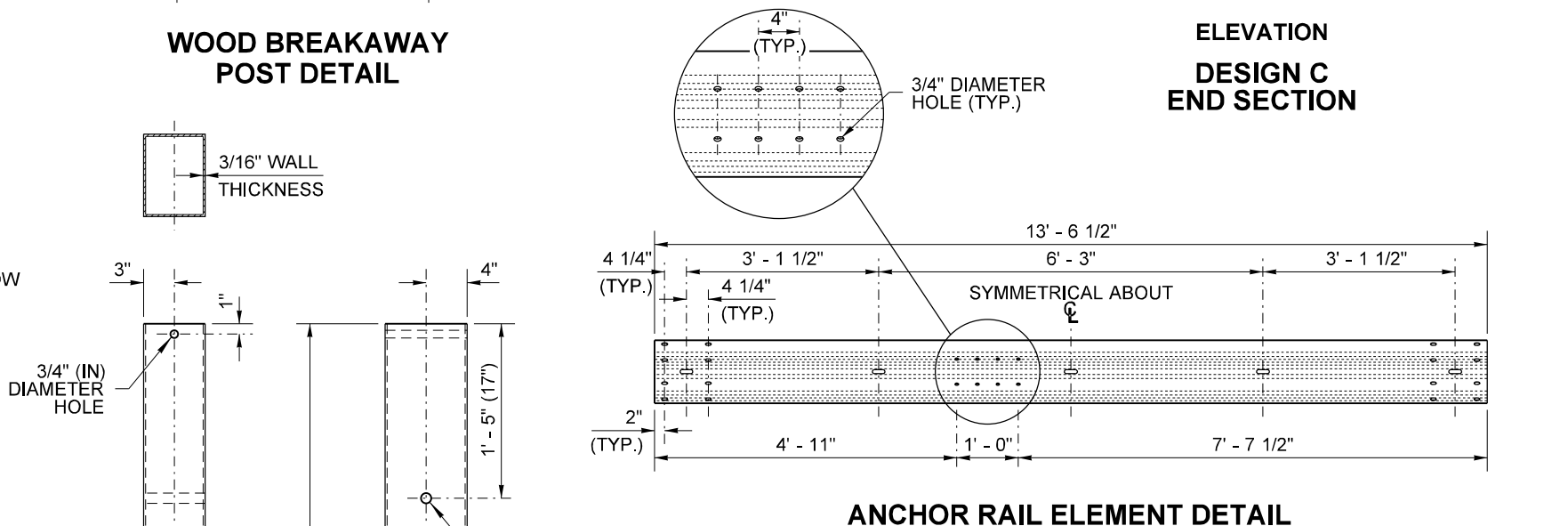
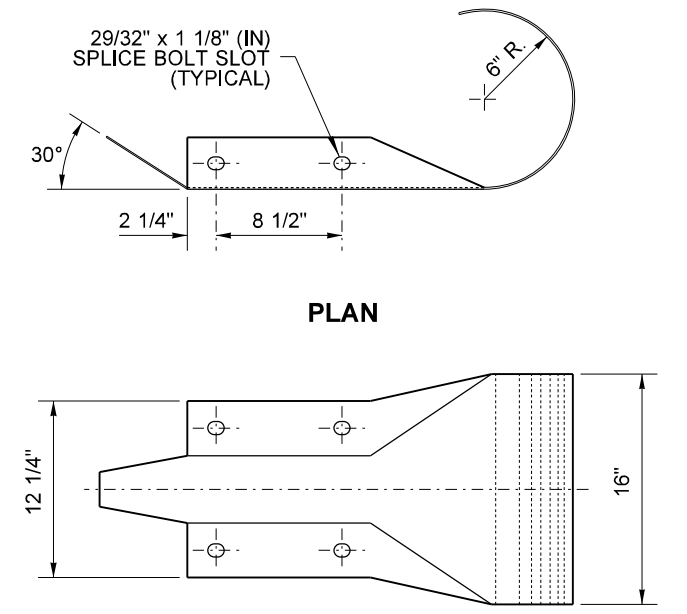
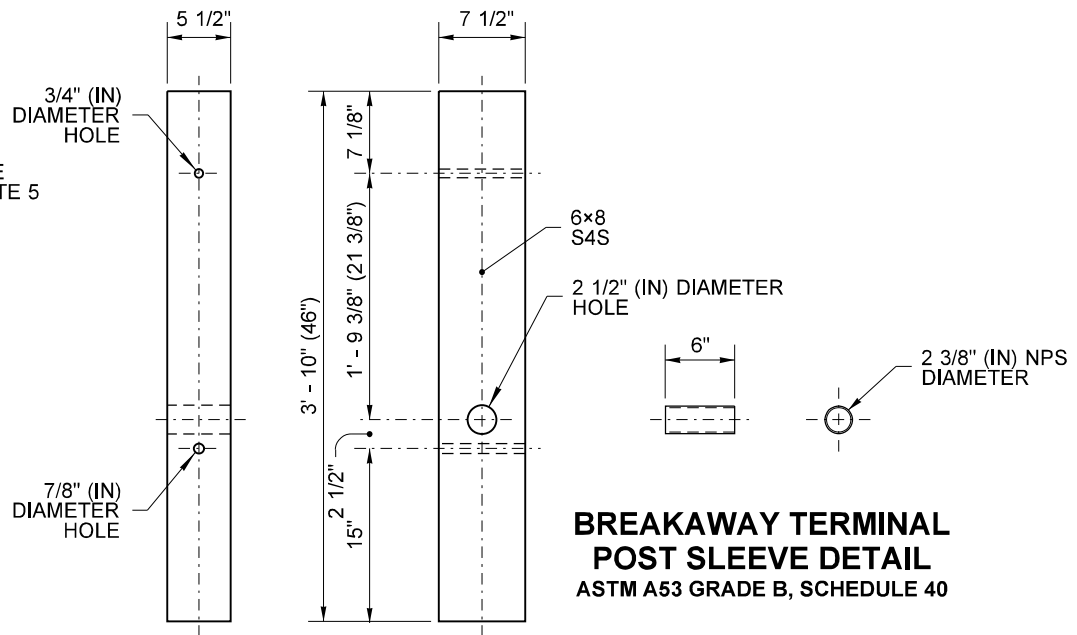
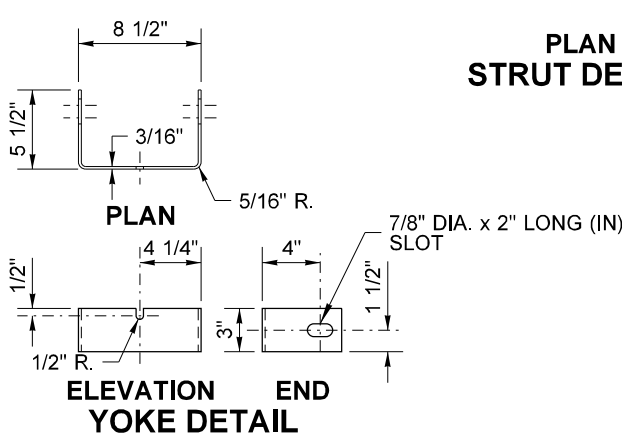
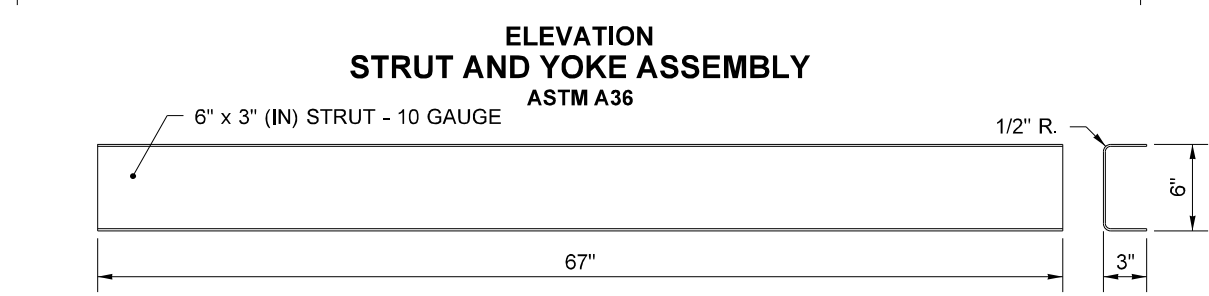
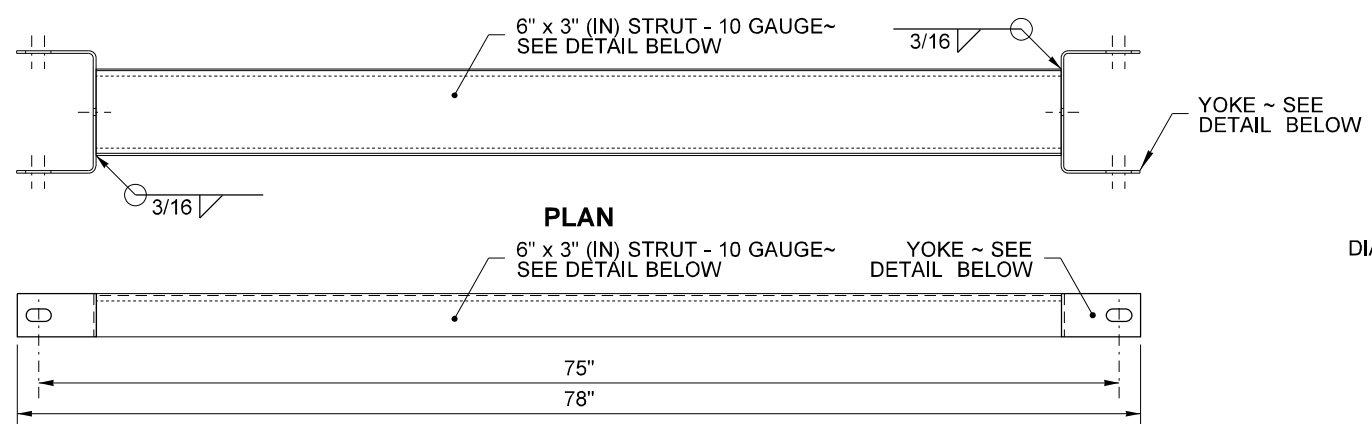
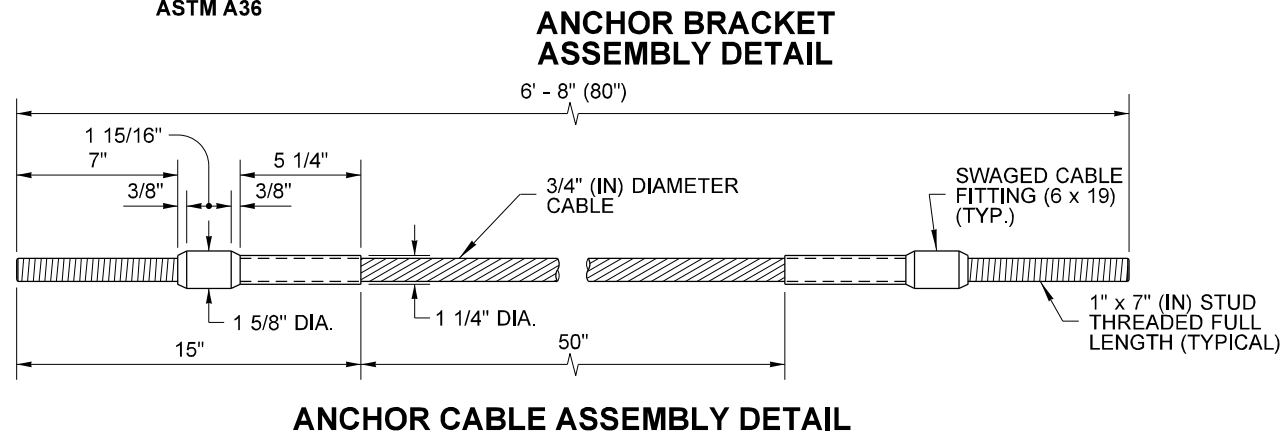
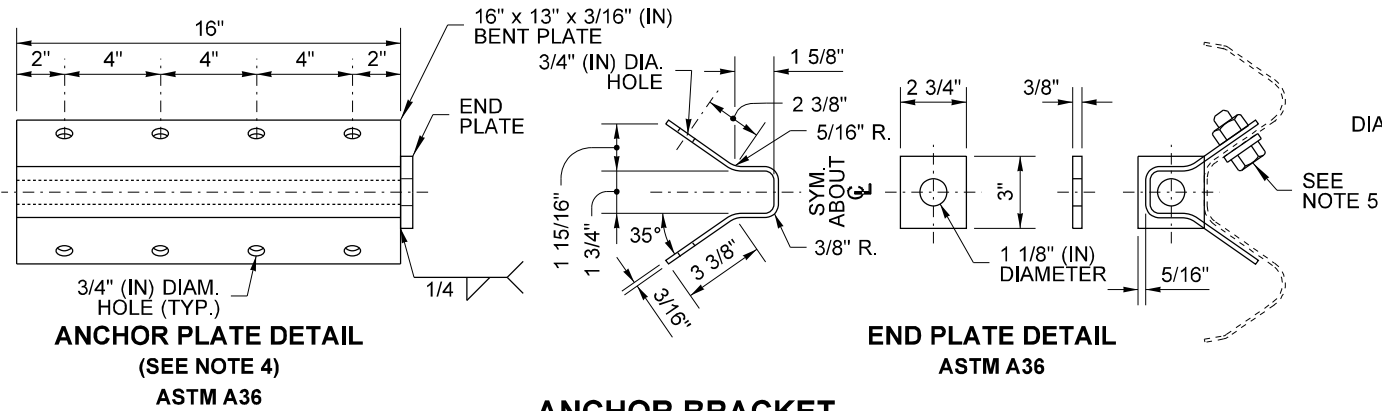
Aug 22, 2022

STATE DESIGN ENGINEER



Washington State Department of Transportation

DRAWN BY: BILL BERENS



Aug 22, 2022

**BEAM GUARDRAIL (TYPE 31)
ANCHOR TYPE 11**

STANDARD PLAN C-23.70-00

SHEET 2 OF 2 SHEETS

APPROVED FOR PUBLICATION

Mark Gaines
Mark Gaines (Aug 22, 2022 10:58 PDT)

Aug 22, 2022

STATE DESIGN ENGINEER

Washington State Department of Transportation