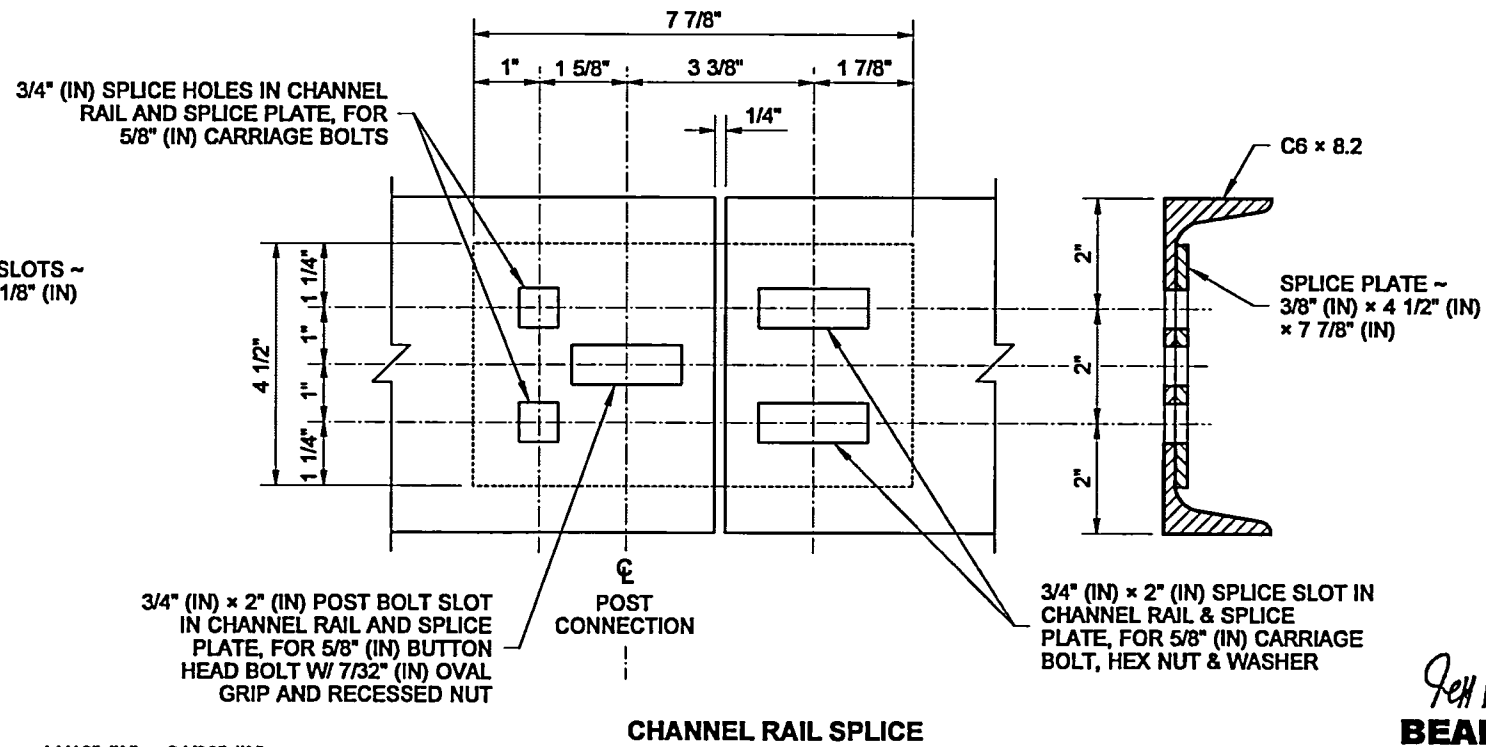
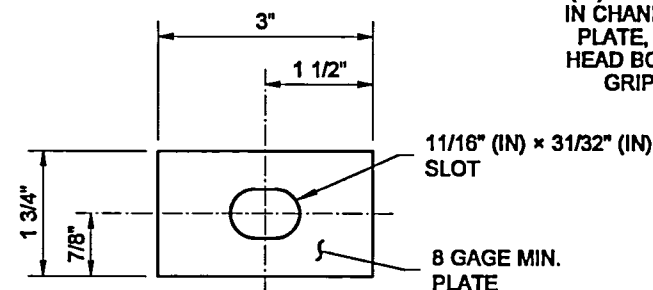
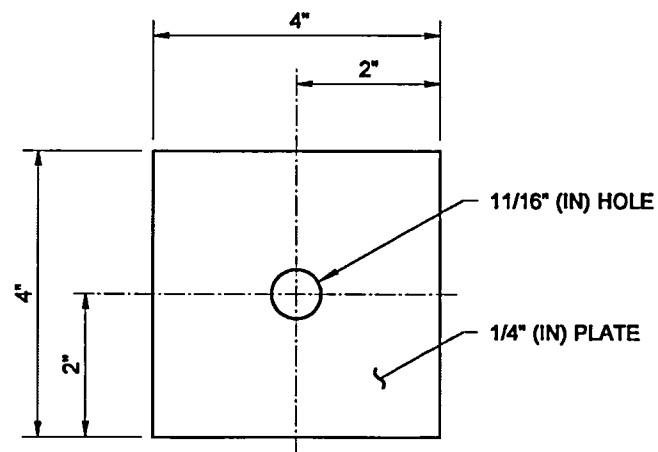
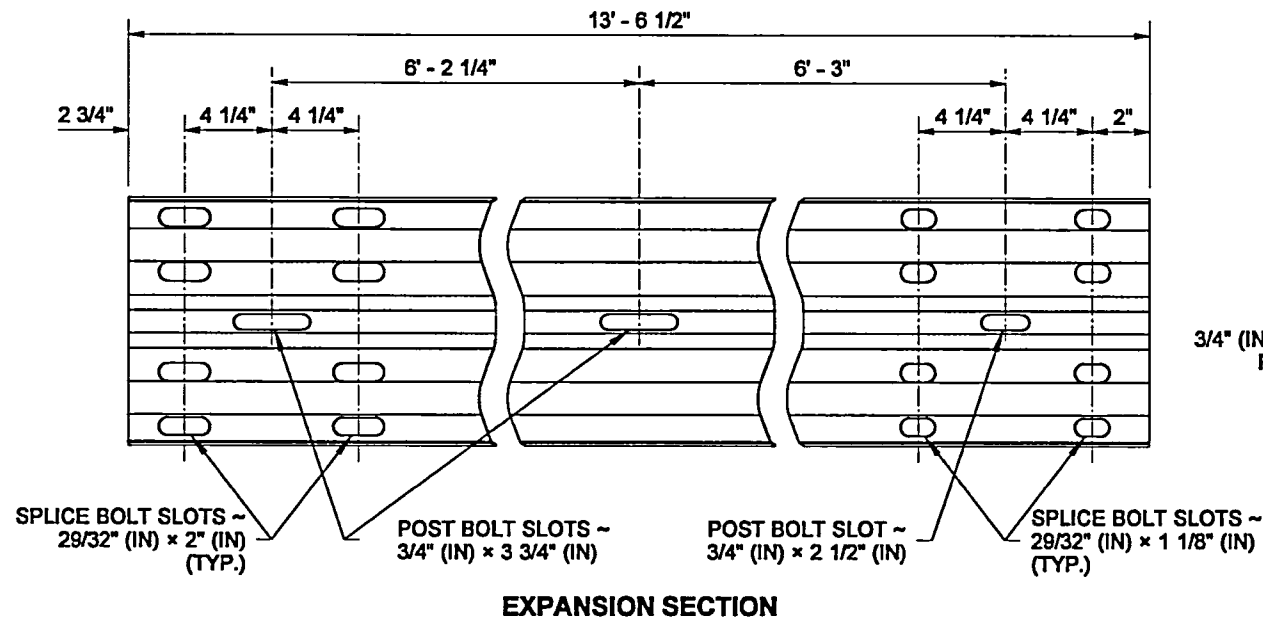
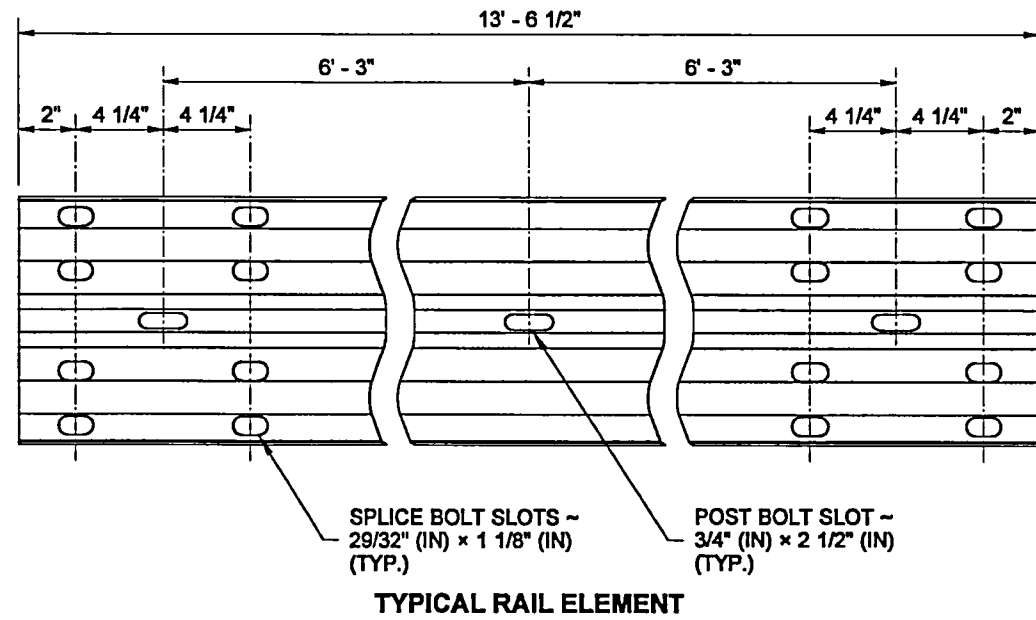
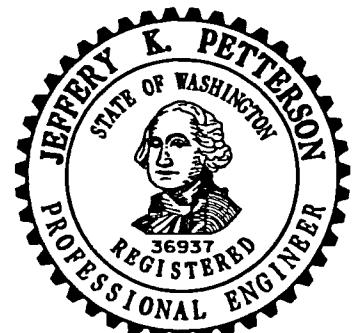


DRAWN BY: FERN LIDDELL



NOTES

- When required by the Contract, a Snow Load Post Washer shall be used on the backside of the post (in lieu of the 1 3/4" (in) Post Bolt Washer) and a Snow Load Rail Washer shall be placed on the face side of Beam Guardrail Types 1 and 2. Snow Load Rail Washers shall not be installed on terminals.
- Rail Washers, also called "Snow Load Rail Washers", are not required on new installation, except as called for in Note 1. Unnecessary Rail washers need not be removed from existing installations, except those on posts 2 through 8 of a BCT installation shall be removed.
- Timber blocks shall be toe-nailed to the post with a 16d galvanized nail to prevent block rotation.
- For post and block details, see **Standard Plan C-1b**.
- When "Beam Guardrail Type - ___ Ft. Long Post" is specified in the Contract, the post length shall be stamped with numbers, 1 1/2" (in) min. high and 3/4" (in) wide at the location where the letter "H" is shown in the ASSEMBLY DETAIL. For wood post applications, the letter shall be stamped to a minimum depth of 1/4" (in). For steel post applications, the letter shall be legible after the post is galvanized. After post installation, it shall be the Contractor's responsibility to ensure the stamped numbers remain visible.
- Existing posts shall not be raised. Replace posts as necessary to achieve required guardrail height.
- Holes shall be located on approaching traffic side of web.



Petterson, Jeff (HQ Design)
Jul 6 2017 3:11 PM

BEAM GUARDRAIL TYPE 31 COMPONENTS

STANDARD PLAN C-20.11-00

SHEET 1 OF 1 SHEET

APPROVED FOR PUBLICATION

Carpenter, Jeff
Jul 21 2017 8:31 AM

STATE DESIGN ENGINEER

Washington State Department of Transportation