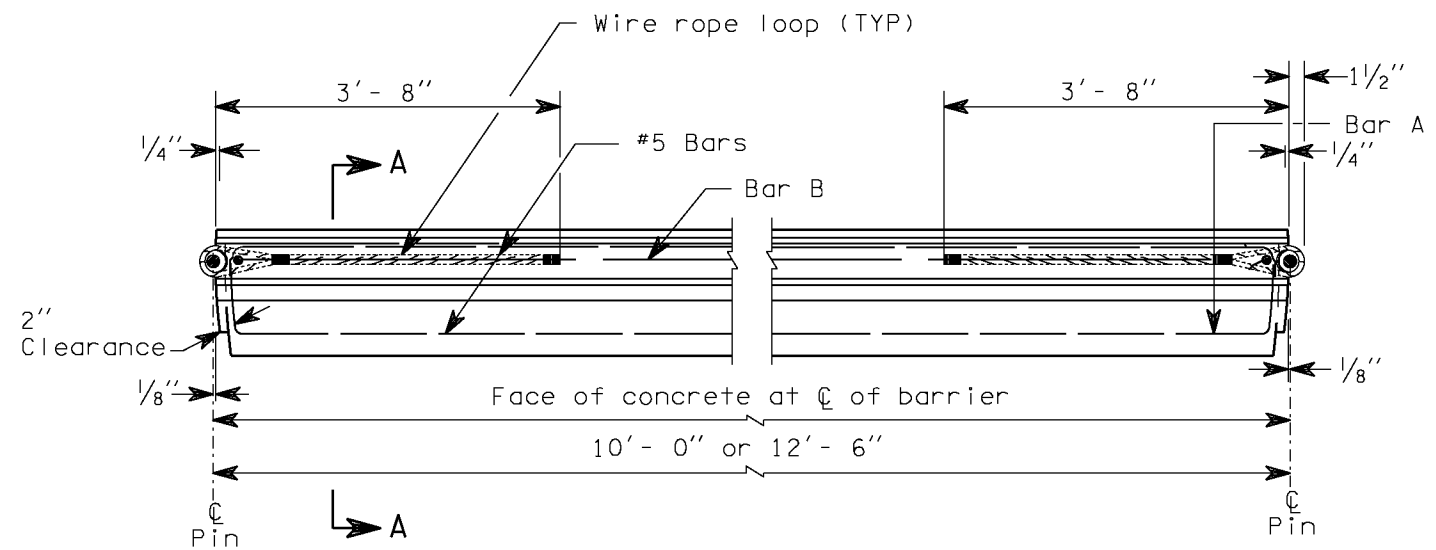
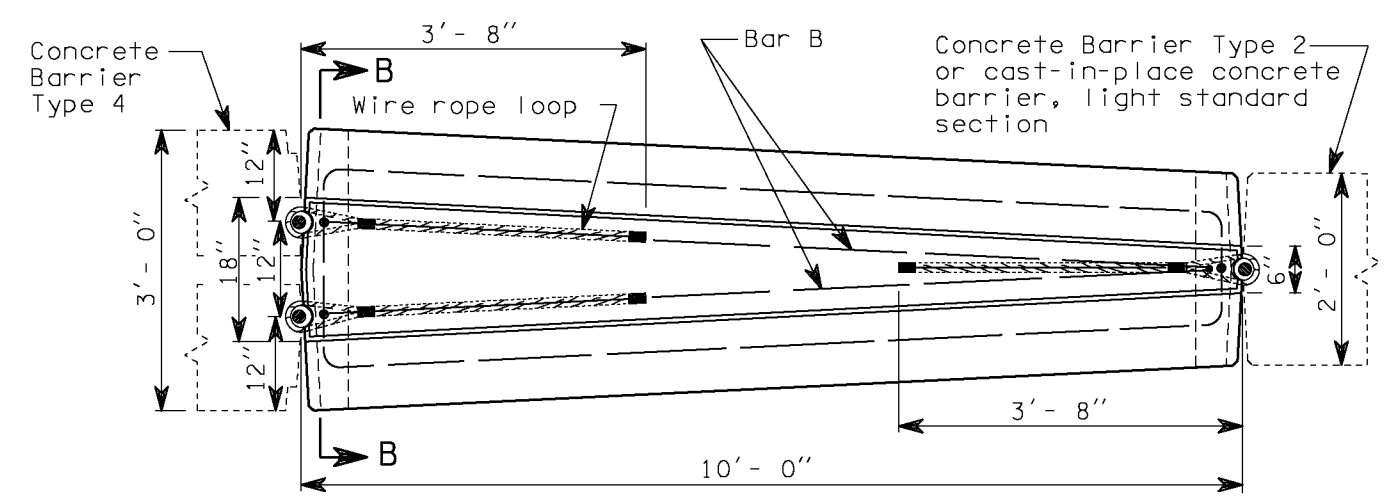


NOTE

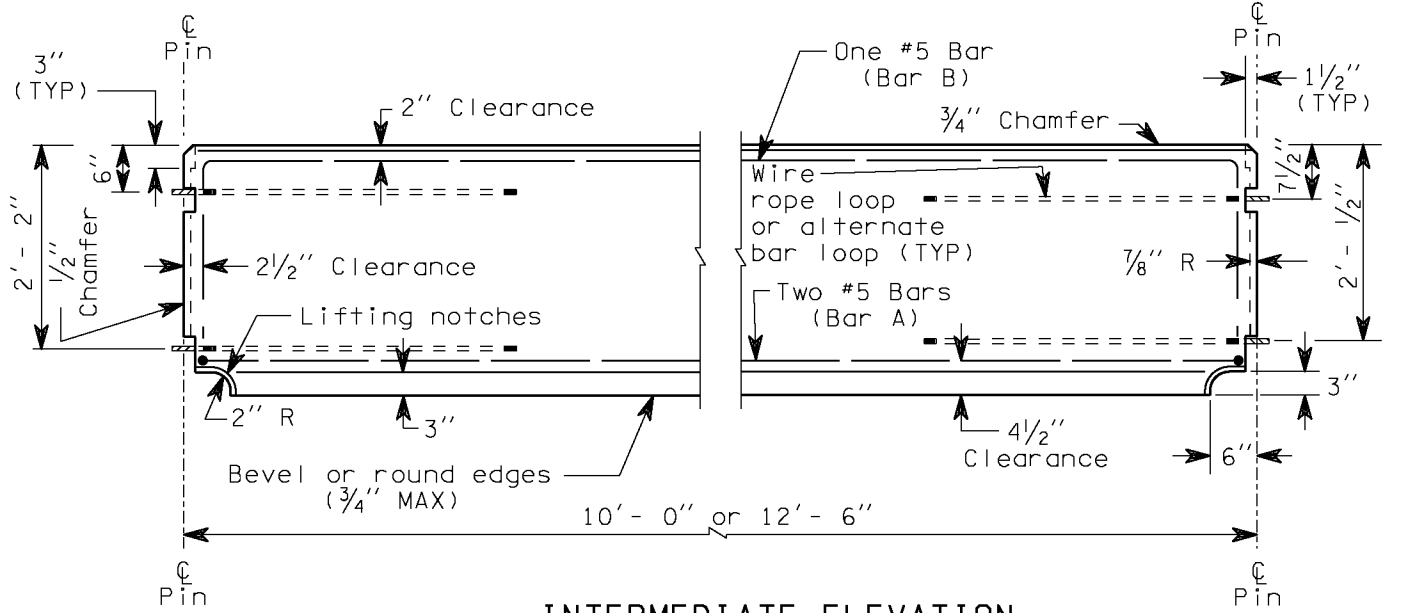
1. For details on wire rope loop, connecting pin and end notches see Standard Plan "Concrete Barrier Type 2."



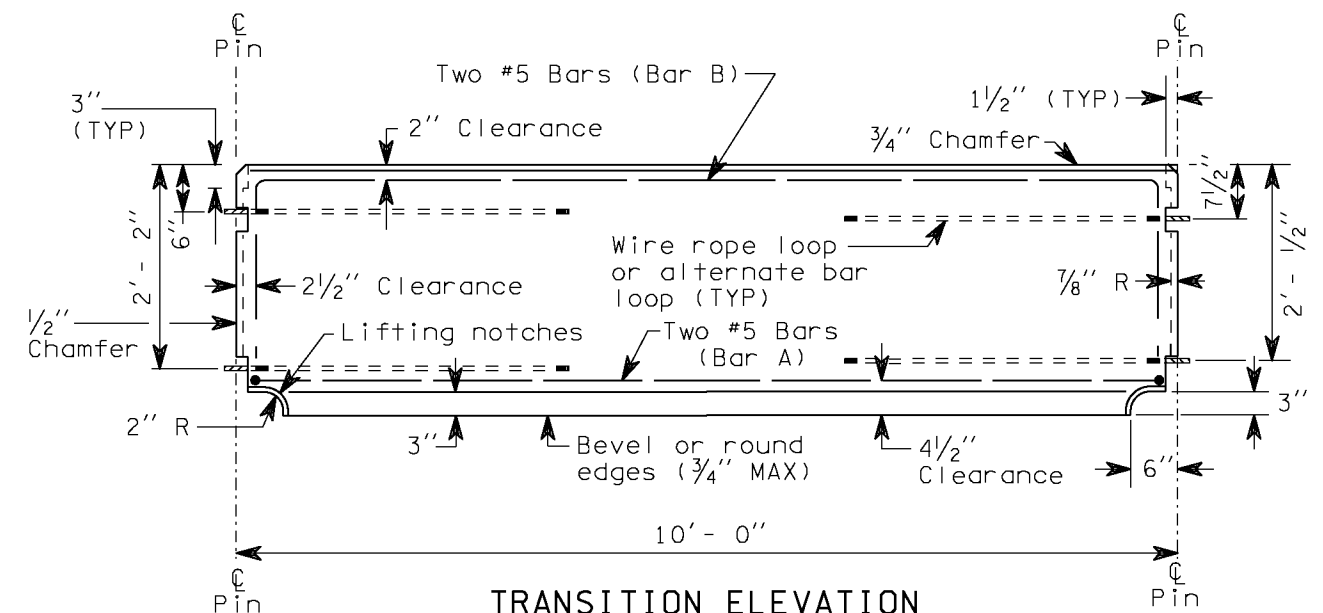
INTERMEDIATE PLAN



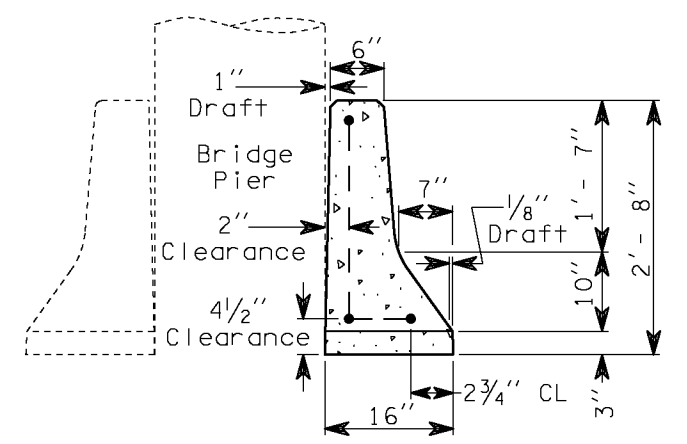
TRANSITION PLAN



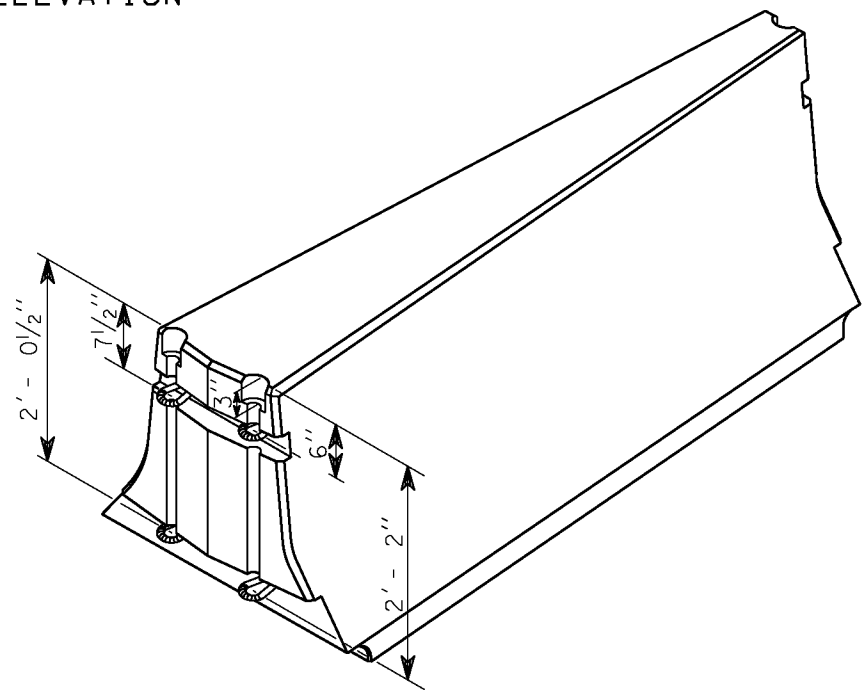
INTERMEDIATE ELEVATION



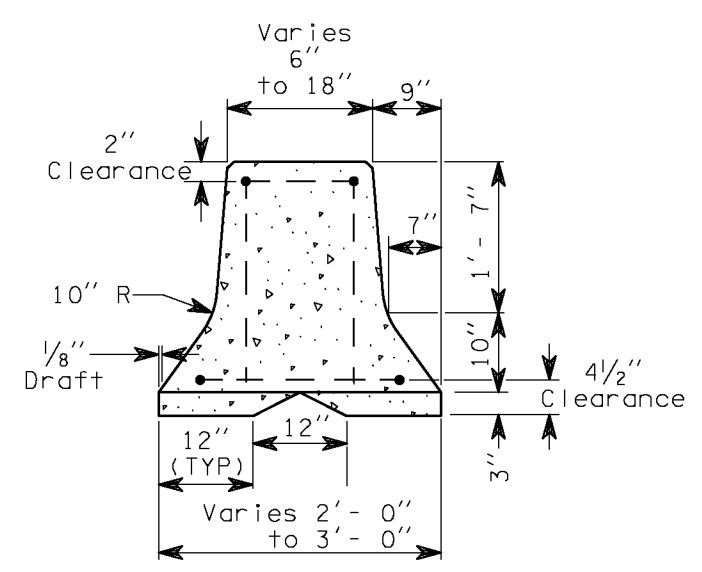
TRANSITION ELEVATION



SECTION A-A
TYPE 4



TRANSITION END VIEW



SECTION B-B
TRANSITION SECTION

CONCRETE BARRIER TYPE 4 AND TRANSITION SECTION



STANDARD PLAN C-8a

APPROVED FOR PUBLICATION

Donald K. Nelson 07/25/97
STATE DESIGN ENGINEER DATE

WASHINGTON STATE DEPARTMENT OF TRANSPORTATION
OLYMPIA, WASHINGTON

NOTE: THIS PLAN IS NOT A LEGAL ENGINEERING DOCUMENT UNLESS IT IS SIGNED BY THE ENGINEER AND APPROVED FOR PUBLICATION. A COPY MAY BE OBTAINED UPON REQUEST.