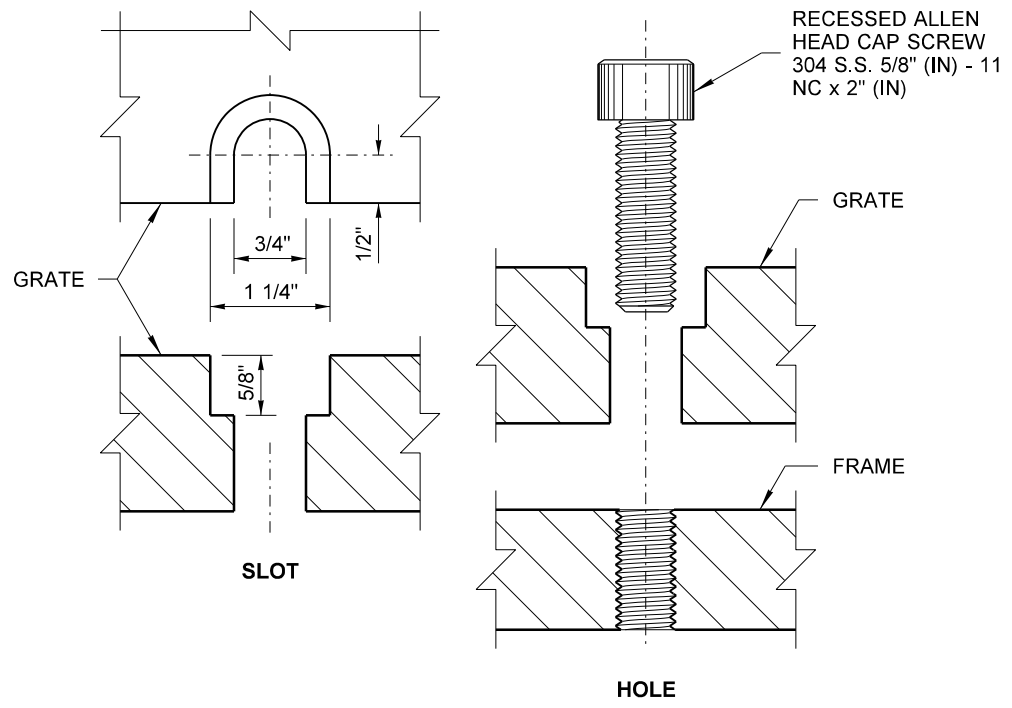


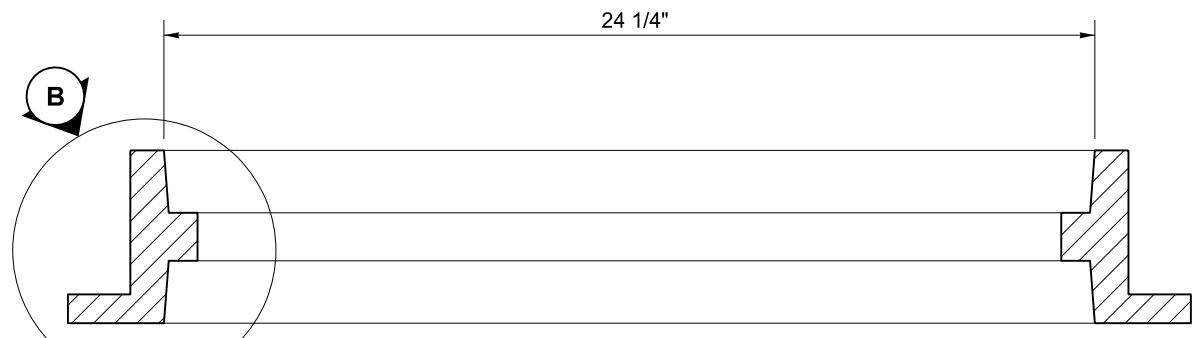
NOTES

1. This frame is designed to accommodate 20" (in) x 24" (in) grates or covers as shown on **Standard Plans B-30.20, B-30.30, B-30.40, and B-30.50.**
2. Bolt-down capability is required on all frames, grates, and covers, unless specified otherwise in the Contract. Provide 2 holes in the frame that are vertically aligned with the grate or cover slots. The frame shall accept the 304 Stainless Steel (S.S.) 5/8" (in) - 11 NC x 2" (in) allen head cap screw by being tapped, or other approved mechanism. Location of bolt-down holes varies by manufacturer.
3. Refer to **Standard Specification Section 9-05.15 and 9-05.15(2)** for additional requirements.



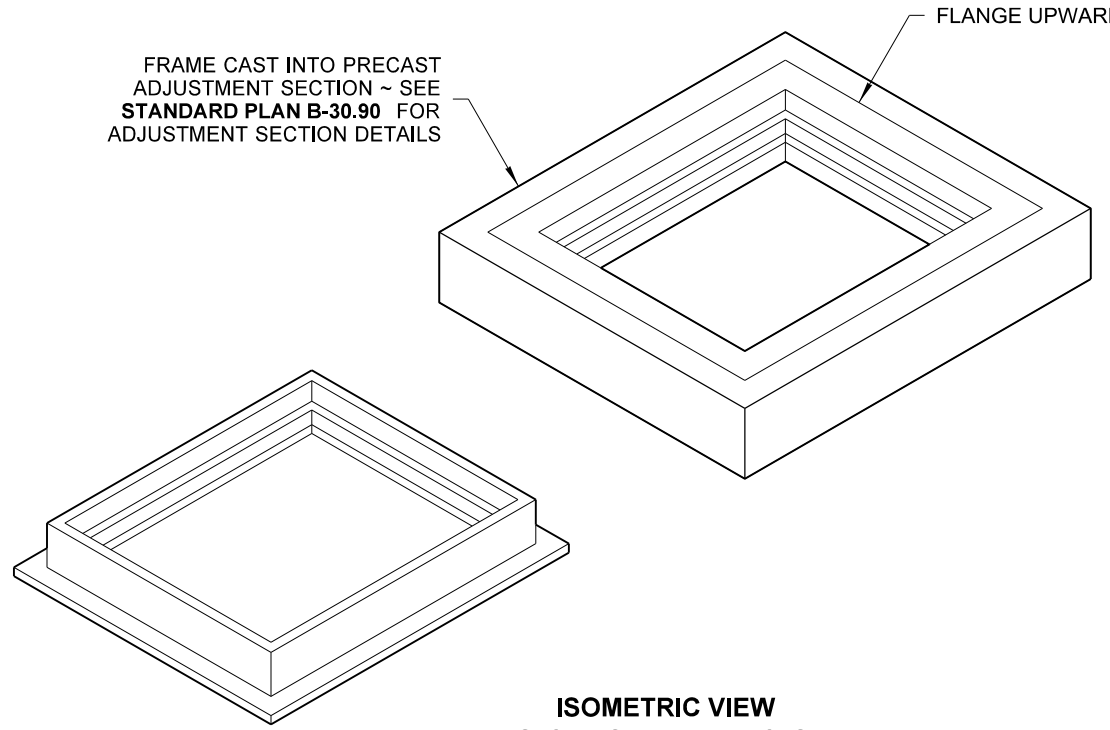
BOLT-DOWN DETAILS
SEE NOTE 2

TOP



SECTION A

FRAME CAST INTO PRECAST
ADJUSTMENT SECTION ~ SEE
STANDARD PLAN B-30.90 FOR
ADJUSTMENT SECTION DETAILS



ISOMETRIC VIEW
SHOWING THE VARIATIONS



**RECTANGULAR FRAME
(REVERSIBLE)**
STANDARD PLAN B-30.10-03

SHEET 1 OF 1 SHEET

APPROVED FOR PUBLICATION

DRAWN BY: FERN LIDDELL