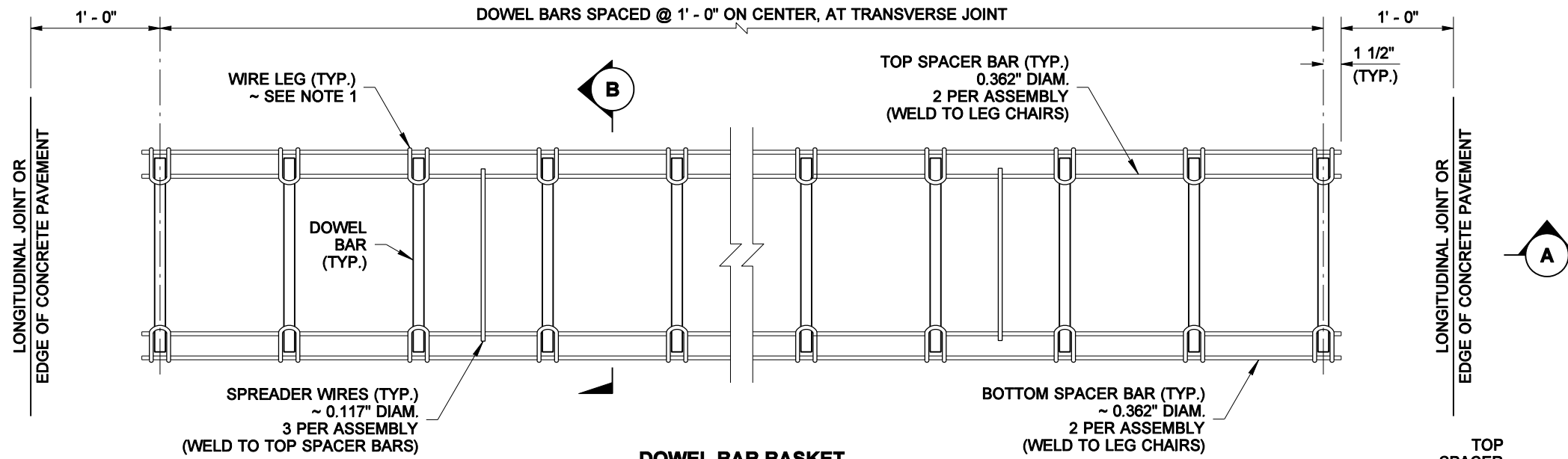


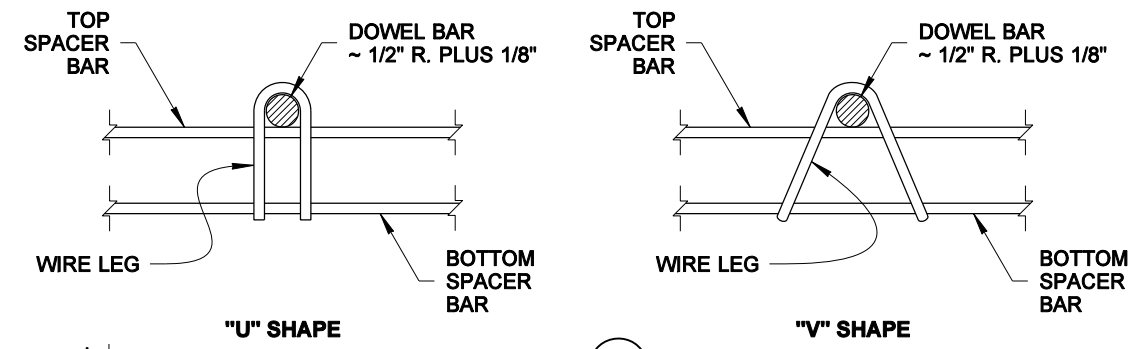
DRAWN BY: LISA CYFORD



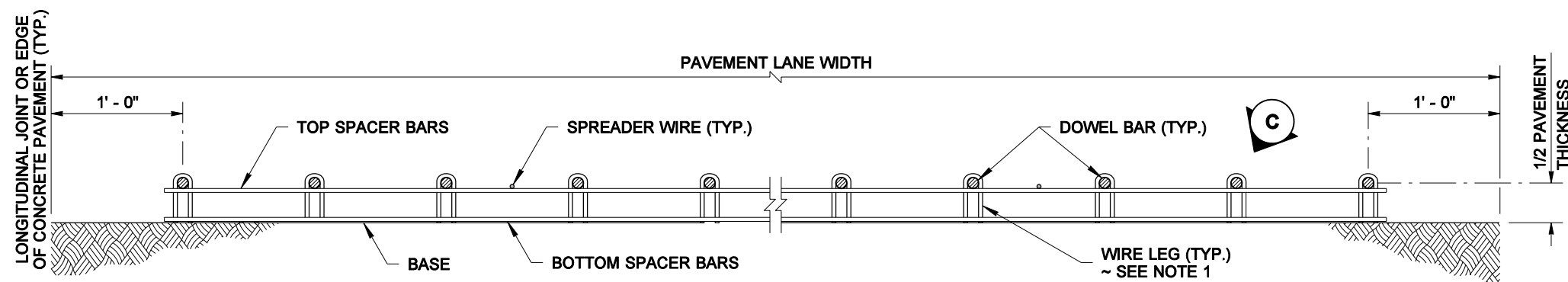
DOWEL BAR BASKET
PLAN VIEW
 "U" SHAPE ASSEMBLY SHOWN

NOTES

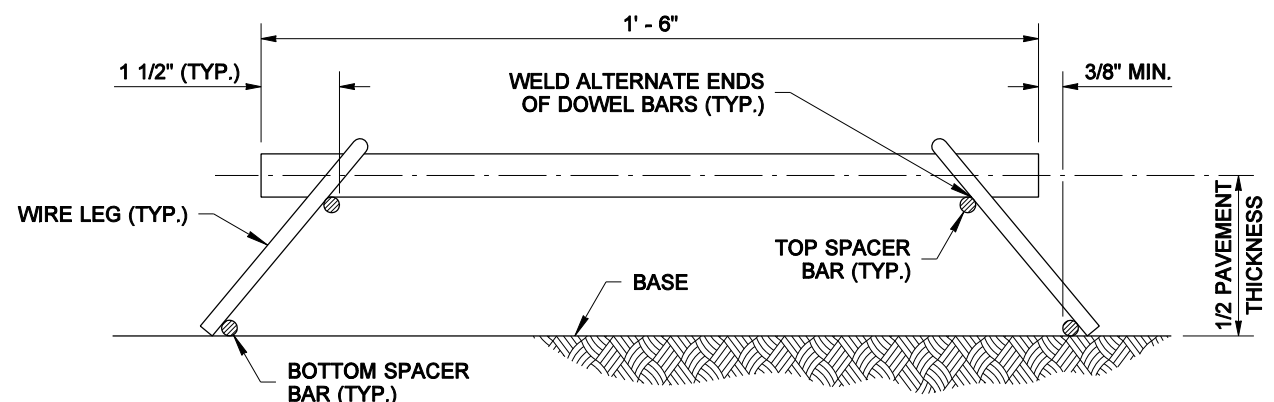
1. The "U" shape or "V" shape are both acceptable.
2. Wire sizes shown are minimum required.
3. All wire intersections are to be welded.
4. Basket must be firmly attached to existing or new base.
5. Dowels and Tie Bars shall be held firmly in the above welded assembly.
6. Do not clip Spreader Wires.



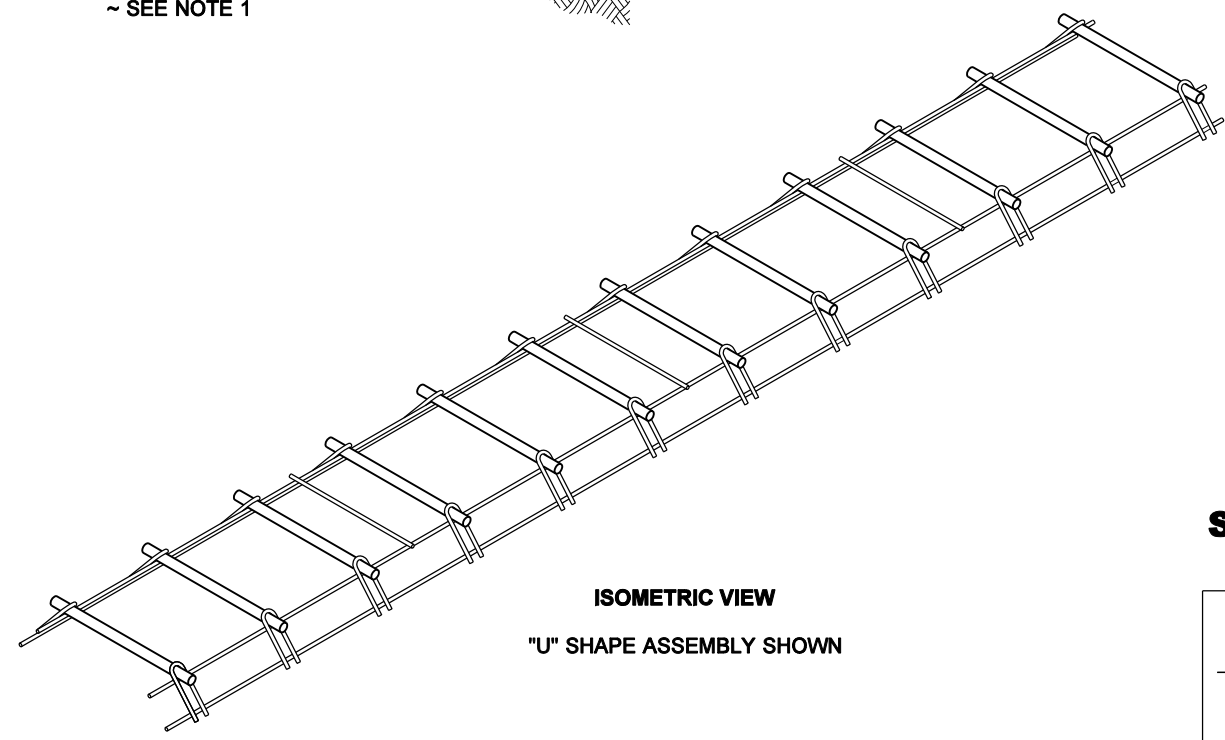
DETAIL C
WIRE LEG DETAILS



SECTION A
ELEVATION VIEW
 "U" SHAPE ASSEMBLY SHOWN



SECTION B



ISOMETRIC VIEW
 "U" SHAPE ASSEMBLY SHOWN



NOTE: THIS PLAN IS NOT A LEGAL ENGINEERING DOCUMENT
 FOR USE IN ANY PROJECT. IT IS THE PROPERTY OF THE ENGINEER AND SHOULD NOT BE REPRODUCED OR TRANSMITTED IN ANY FORM OR BY ANY MEANS, ELECTRONIC OR MECHANICAL, WITHOUT THE WRITTEN PERMISSION OF THE ENGINEER. A COPY MAY BE OBTAINED UPON REQUEST.

DOWEL BAR BASKETS
STANDARD PLAN A-40.00-00

SHEET 1 OF 1 SHEET
 APPROVED FOR PUBLICATION
Pasco Bakotich III 08-11-09
 STATE DESIGN ENGINEER DATE
 Washington State Department of Transportation