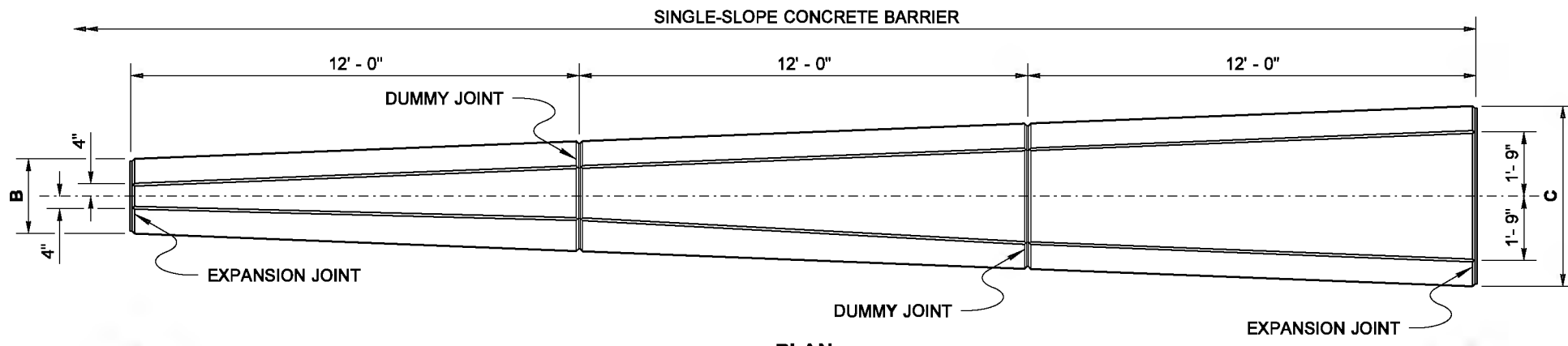


DRAWN BY: LISA CYFORD



PLAN

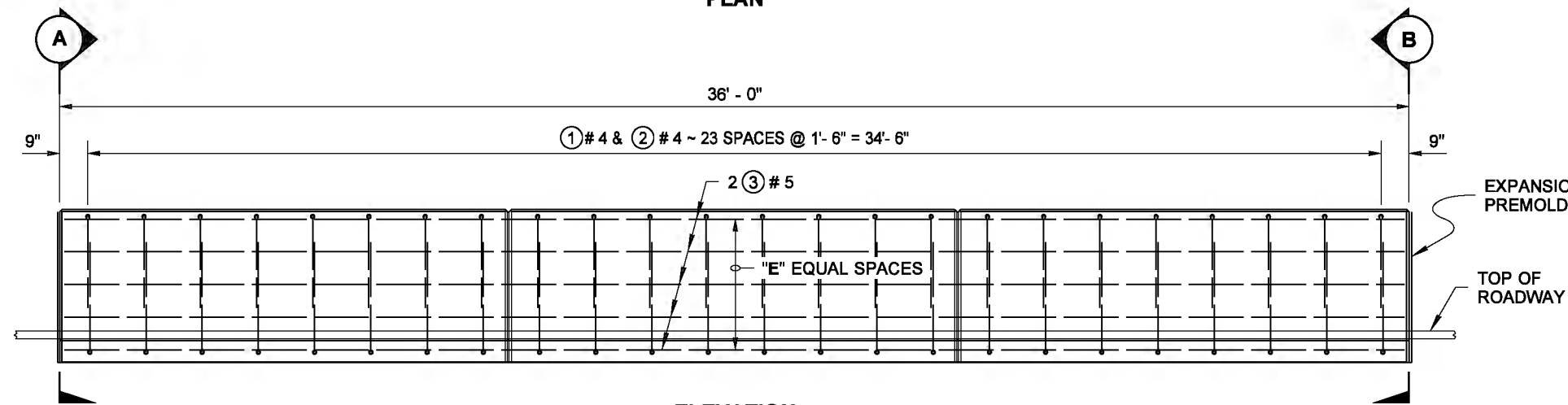
NOTES

1. When connecting between Cast-in-Place and Precast Single-Slope Barrier, provide a Connection Blockout and Rebar Grid as shown in **Standard Plan C-70.10**.
2. All concrete shall be class 4000.
3. This barrier transition section is designed for an allowable soil bearing pressure of 2500 psf or better.

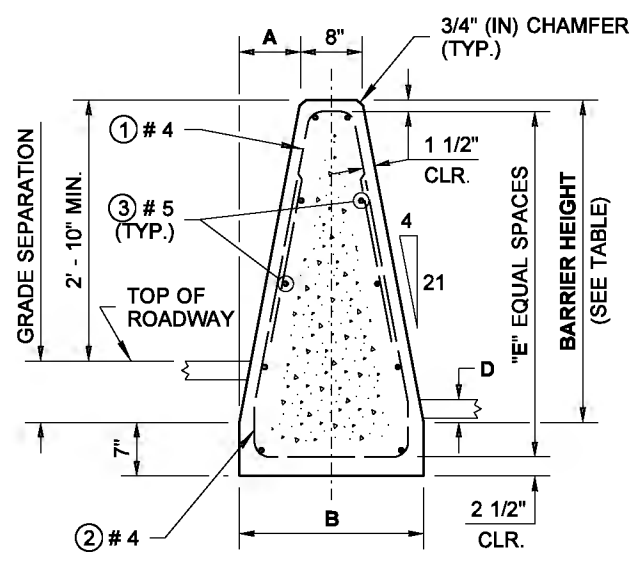
BAR LIST			
MARK NO.	LOCATION	SIZE	QTY.
①	BARRIER ~ TOP VERTICAL	# 4	24
②	BARRIER ~ BOTTOM VERTICAL	# 4	24
③	BARRIER ~ HORIZONTAL	# 5	①

① SEE DIMENSION TABLE ~ NOT COUNTING SPLICES

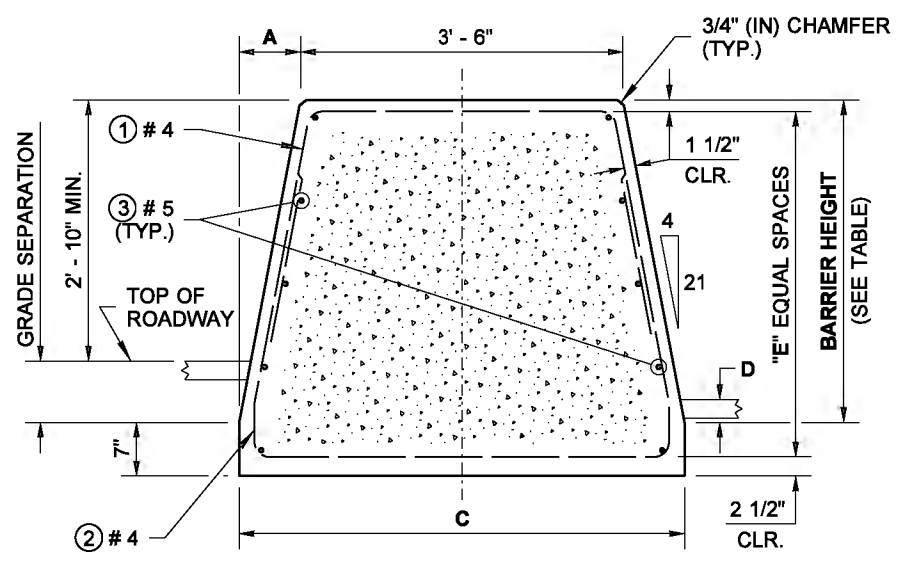
ALL DIMENSIONS ARE OUT TO OUT
ALL BENDS ARE 2" RADIUS



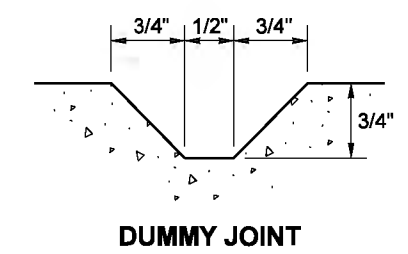
ELEVATION



SECTION A



SECTION B



DUMMY JOINT

MONOTUBE SIGN STRUCTURE SINGLE-SLOPE BARRIER FOUNDATION (SEE BRIDGE PLANS)

TRAILING END TRANSITION (FROM MONOTUBE SIGN STRUCTURE FOUNDATION TO SINGLE-SLOPE DUAL-FACED BARRIER)

(SEE NOTE 1)

LEADING END TRANSITION (FROM SINGLE-SLOPE DUAL-FACED BARRIER TO MONOTUBE SIGN STRUCTURE FOUNDATION)

ISOMETRIC VIEW



TABLE							
GRADE SEPARATION	BARRIER HEIGHT	A	B	C	D	E	HORIZONTAL BARS (QTY.)
0" TO 5"	3' - 6"	8"	2' - 0"	4' - 10"	3" MIN.	4	10
UP TO 7"	4' - 0"	9 1/8"	2' - 2 1/4"	5' - 0 1/4"	7" MIN.	5	12
UP TO 10"	4' - 6"	10 1/4"	2' - 4 1/2"	5' - 2 1/2"	10" MIN.	6	14

SINGLE-SLOPE CONCRETE BARRIER TRANSITION FOR MONOTUBE SIGN SUPPORT
STANDARD PLAN C-85.18-01

SHEET 1 OF 1 SHEET

APPROVED FOR PUBLICATION