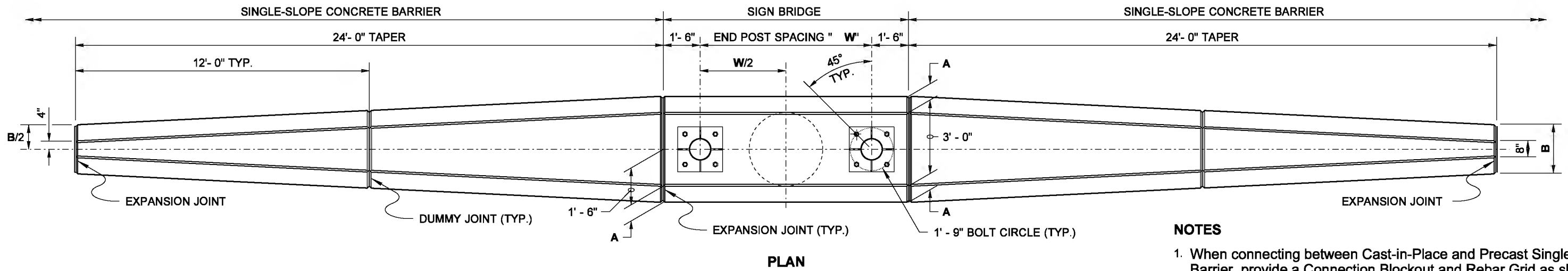
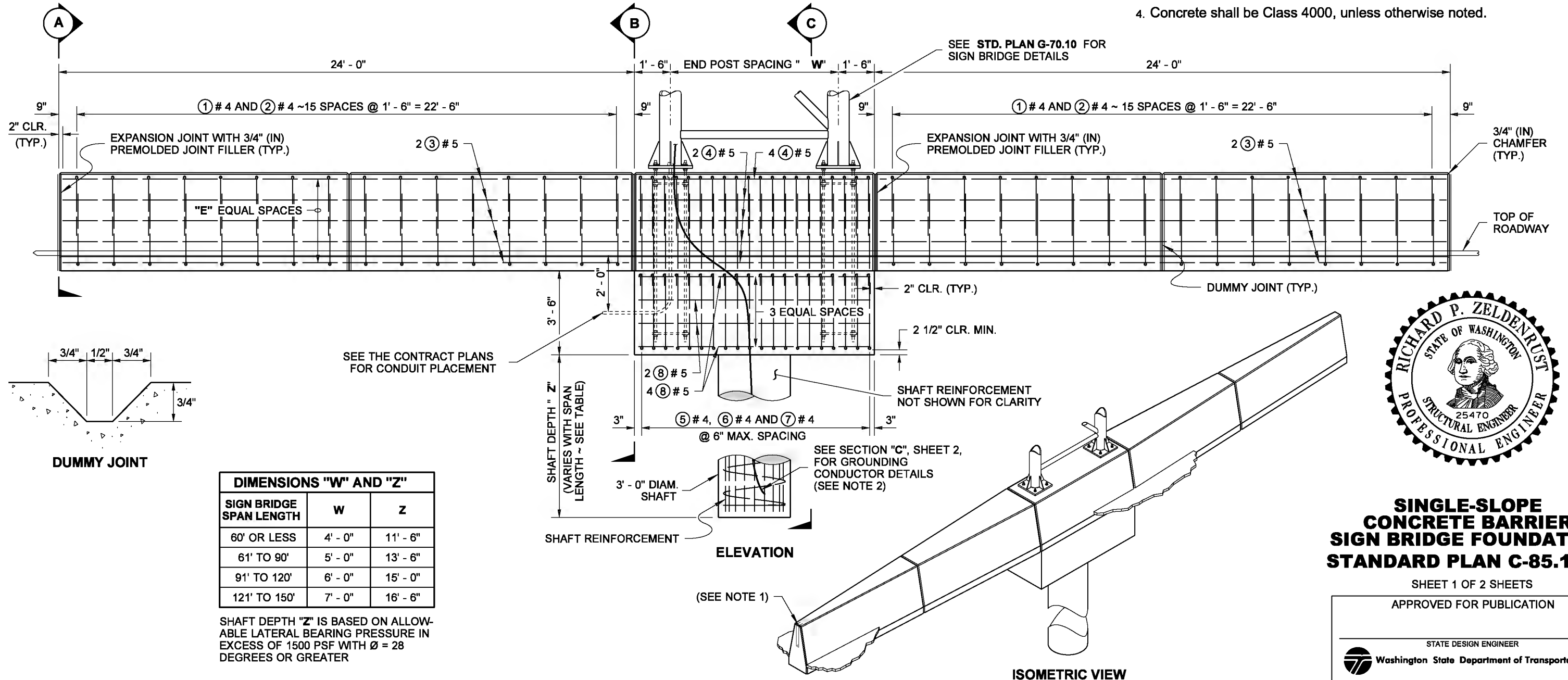


DRAWN BY: LISA CYFORD



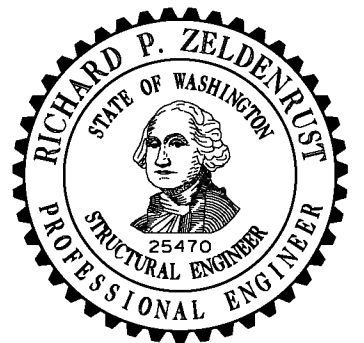
NOTES

1. When connecting between Cast-in-Place and Precast Single-Slope Barrier, provide a Connection Blockout and Rebar Grid as shown in **Standard Plan C-70.10**.
2. Grounding Conductor shall be non-insulated #4 AWG stranded copper; provide 3' - 0" min. slack. Clamp steel reinforcing bar with connector suitable for use embedded in concrete.
3. Install Conduit Coupling flush with top of Barrier. Do not glue PVC stubout.
4. Concrete shall be Class 4000, unless otherwise noted.



DIMENSIONS "W" AND "Z"		
SIGN BRIDGE SPAN LENGTH	W	Z
60' OR LESS	4' - 0"	11' - 6"
61' TO 90'	5' - 0"	13' - 6"
91' TO 120'	6' - 0"	15' - 0"
121' TO 150'	7' - 0"	16' - 6"

SHAFT DEPTH "Z" IS BASED ON ALLOWABLE LATERAL BEARING PRESSURE IN EXCESS OF 1500 PSF WITH $\theta = 28$ DEGREES OR GREATER



SINGLE-SLOPE CONCRETE BARRIER SIGN BRIDGE FOUNDATION STANDARD PLAN C-85.16-01

SHEET 1 OF 2 SHEETS

APPROVED FOR PUBLICATION

STATE DESIGN ENGINEER
 Washington State Department of Transportation

DRAWN BY: LISA CYFORD

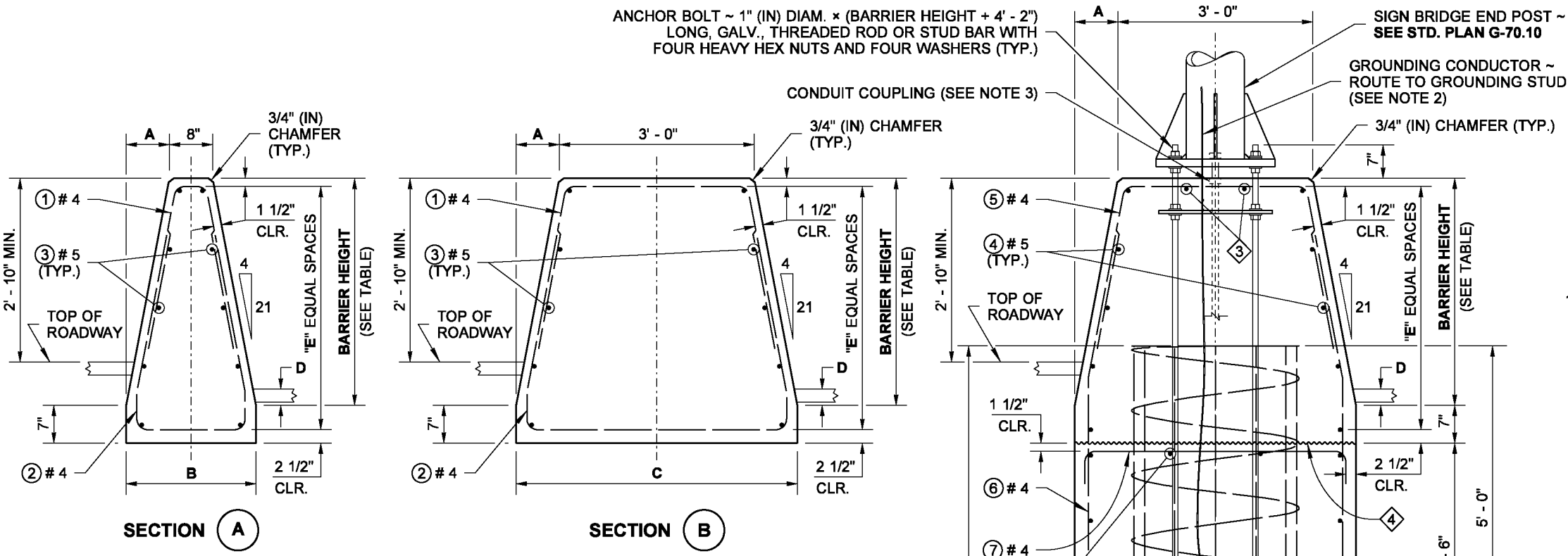
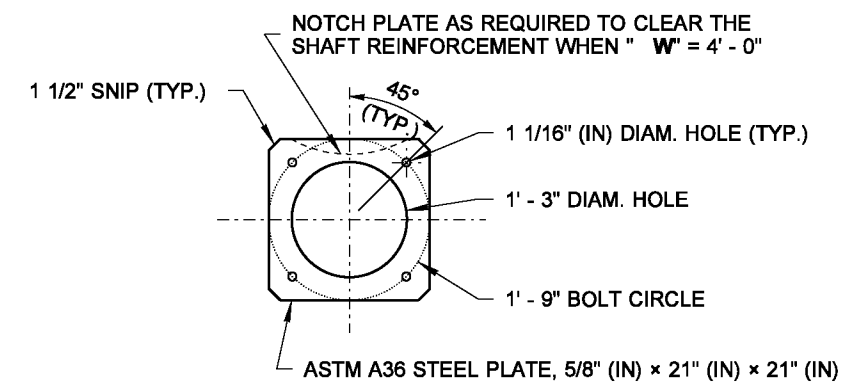


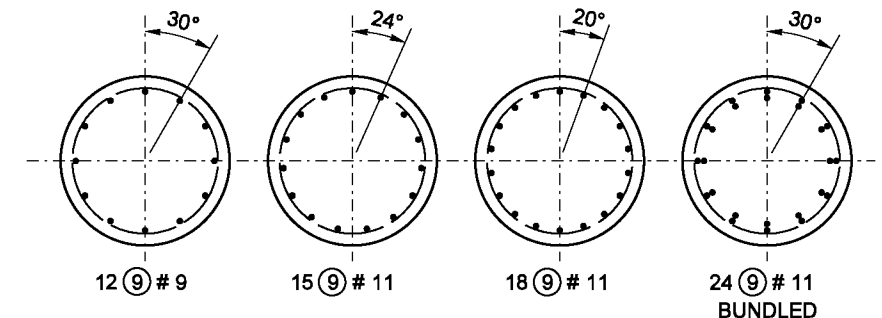
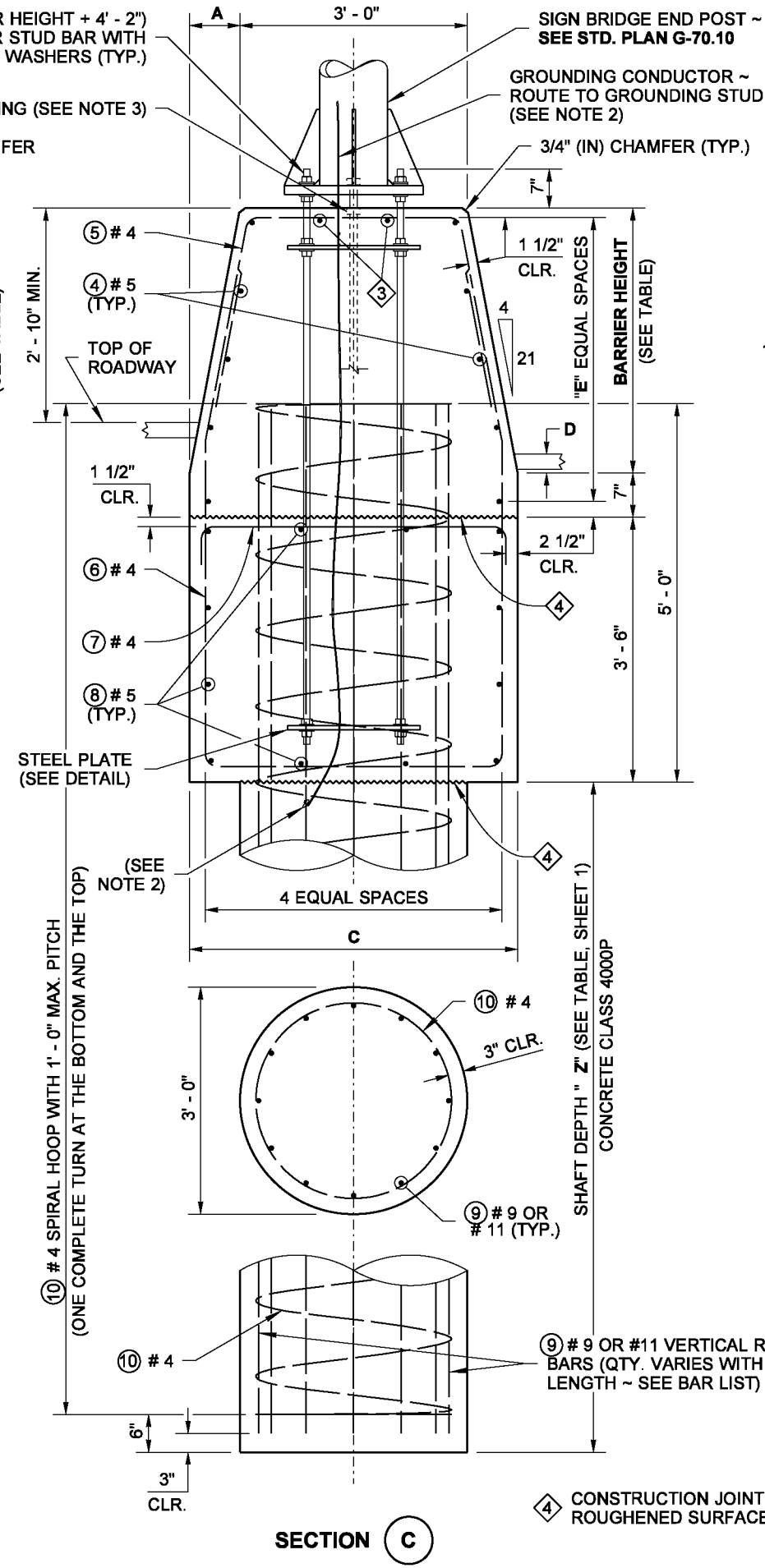
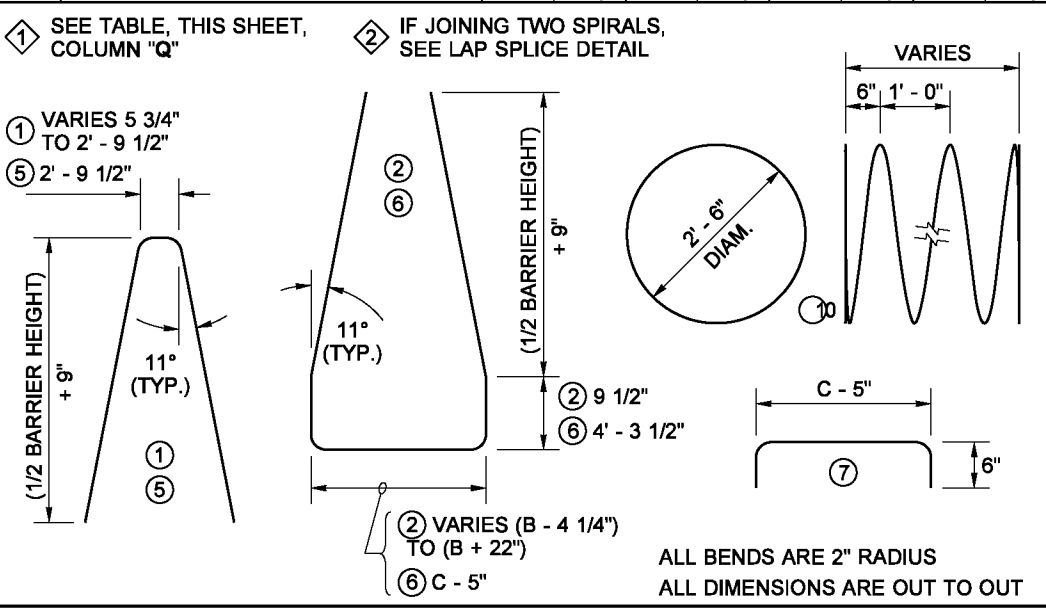
TABLE							
GRADE SEPARATION	BARRIER HEIGHT	A	B	C	D	E	Q
0" TO 5"	3' - 6"	8"	2' - 0"	4' - 4"	3" MIN.	4	10
UP TO 7"	4' - 0"	9 1/8"	2' - 2 1/4"	4' - 6 1/4"	7" MIN.	5	12
UP TO 10"	4' - 6"	10 1/4"	2' - 4 1/2"	4' - 8 1/2"	10" MIN.	6	14

3 ADD TWO 4 # 5 BARS, EQUALLY SPACED, AT THE TOP OF THE FOUNDATION BARRIER

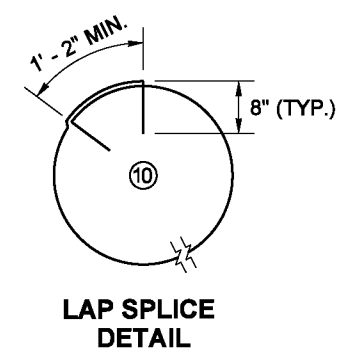


STEEL PLATE DETAIL

BAR LIST									
MARK NO.	LOCATION	SPAN LENGTH							
		60' OR LESS		61' TO 90'		91' TO 120'		121' TO 150'	
		SIZE	QTY.	SIZE	QTY.	SIZE	QTY.	SIZE	QTY.
1	BARRIER ~ TOP VERTICAL	# 4	32	# 4	32	# 4	32	# 4	32
2	BARRIER ~ BOTTOM VERTICAL	# 4	28	# 4	28	# 4	28	# 4	28
3	BARRIER ~ HORIZONTAL	# 5	1	# 5	1	# 5	1	# 5	1
4	BARRIER ~ HORIZONTAL	# 5	1	# 5	1	# 5	1	# 5	1
5	BARRIER ~ TOP VERTICAL	# 4	14	# 4	16	# 4	18	# 4	20
6	CAP & BARRIER ~ VERTICAL	# 4	14	# 4	16	# 4	18	# 4	20
7	CAP ~ TOP TRANSVERSE	# 4	14	# 4	16	# 4	18	# 4	20
8	CAP ~ HORIZONTAL	# 5	12	# 5	12	# 5	12	# 5	12
9	SHAFT ~ VERTICAL	# 9	12	# 11	15	# 11	18	# 11	24
10	SHAFT ~ SPIRAL	# 4	1	# 4	1	# 4	1	# 4	1



VERTICAL SHAFT STEEL LAYOUT



LAP SPLICE DETAIL



SINGLE-SLOPE CONCRETE BARRIER SIGN BRIDGE FOUNDATION STANDARD PLAN C-85.16-01

SHEET 2 OF 2 SHEETS

APPROVED FOR PUBLICATION