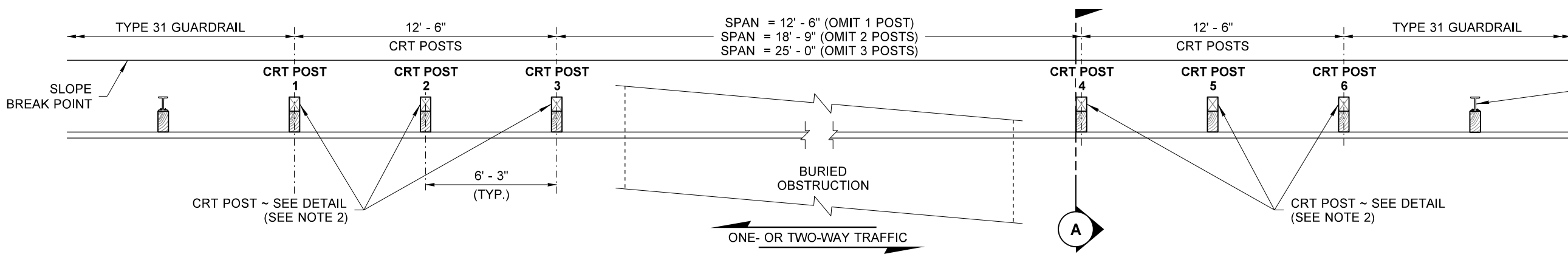
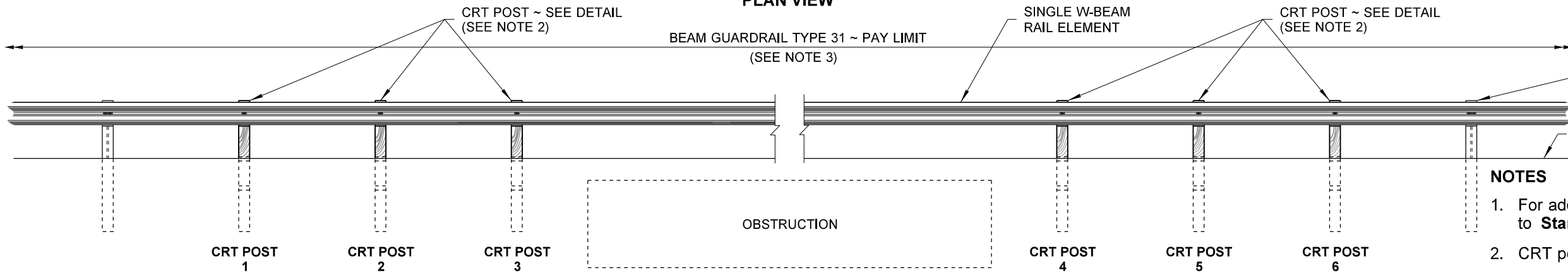


DRAWN BY: FERN LIDDELL

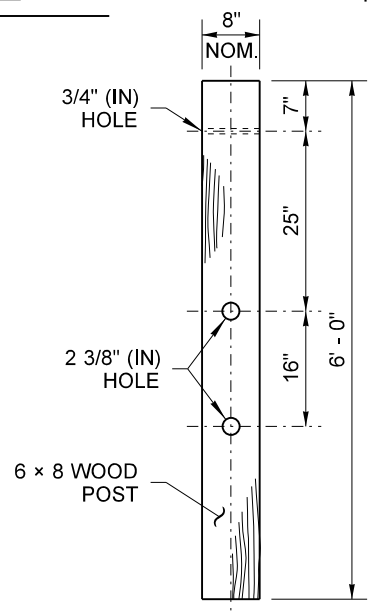
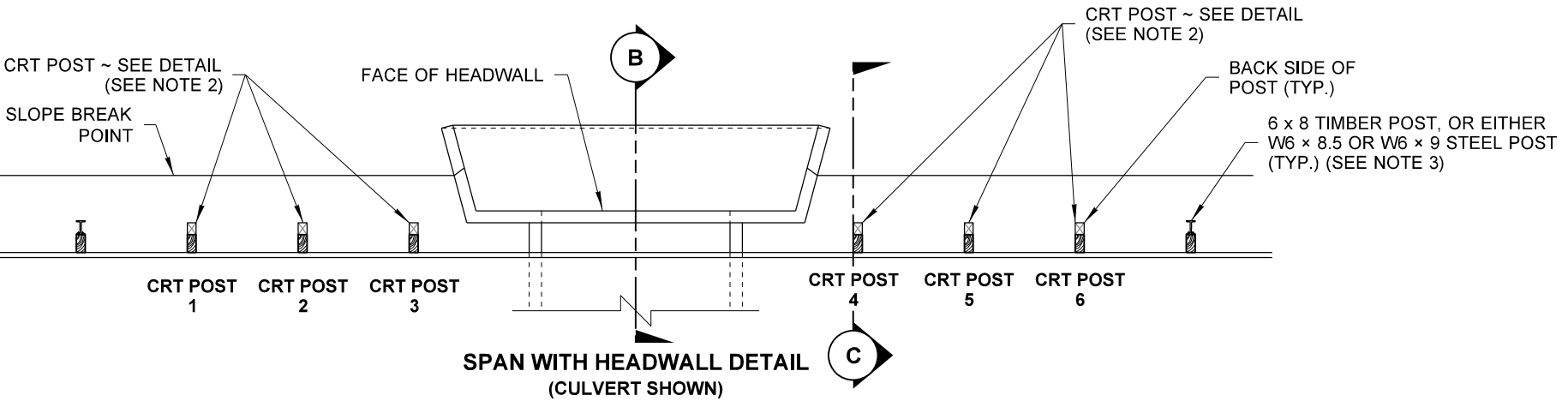
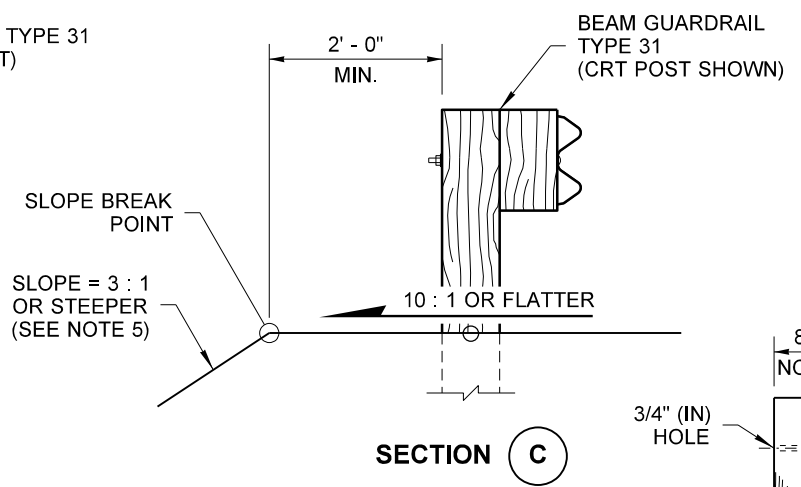
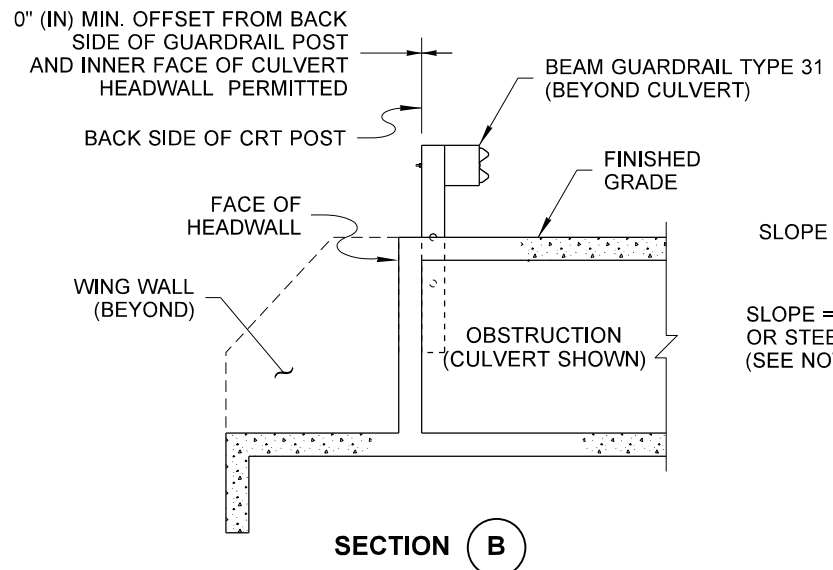
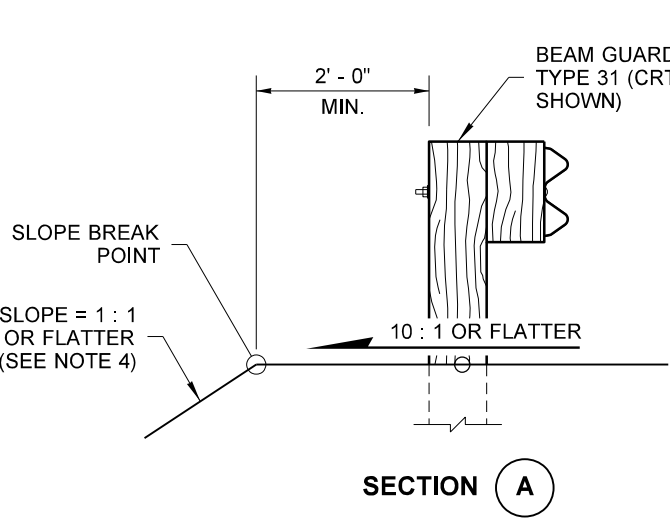


6 x 8 TIMBER POST, OR EITHER W6 x 8.5 OR W6 x 9 STEEL POST (TYP.) (SEE NOTE 3)



6 x 8 TIMBER POST, OR EITHER W6 x 8.5 OR W6 x 9 STEEL POST (TYP.) (SEE NOTE 3)

- NOTES**
1. For additional details not shown on this plan, refer to **Standard Plan C-20.10** and **C-1b**.
 2. CRT post to be wood.
 3. Install at least **62' - 6"** (ft) (10 post spacings) of Type 31 guardrail upstream and downstream from CRT posts 1 thru 6.
 4. Grading requirements for spans without headwalls must begin at least **43.75'** (ft) (7 posts spacings) before CRT post 3, extend thru the obstruction area, and end at least **43.75'** (ft) (7 post spacings) after CRT post 4.
 5. Grading requirements for spans w/ headwalls must extend **43.75'** (ft) (7 post spacings) minimum up stream and down-stream from CRT posts 3 and 4.



**BEAM GUARDRAIL TYPE 31
PLACEMENT 12' - 6", 18' - 9",
OR 25' - 0" SPAN
STANDARD PLAN C-20.40-07**

SHEET 1 OF 1 SHEET

APPROVED FOR PUBLICATION