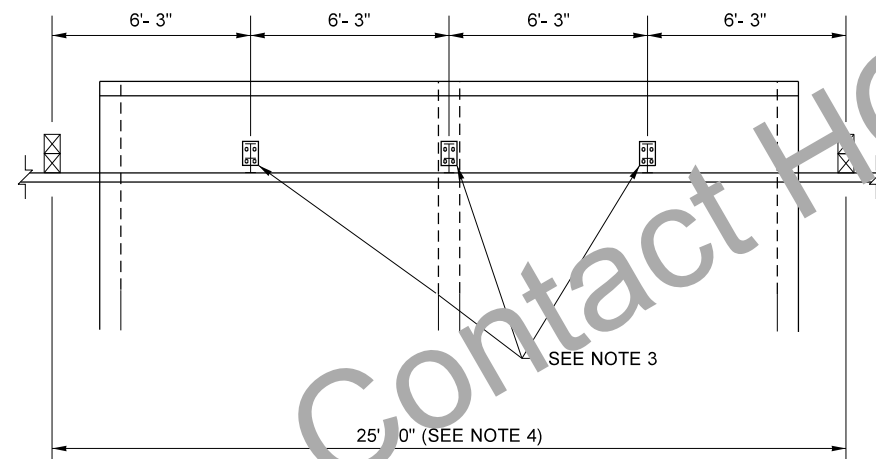
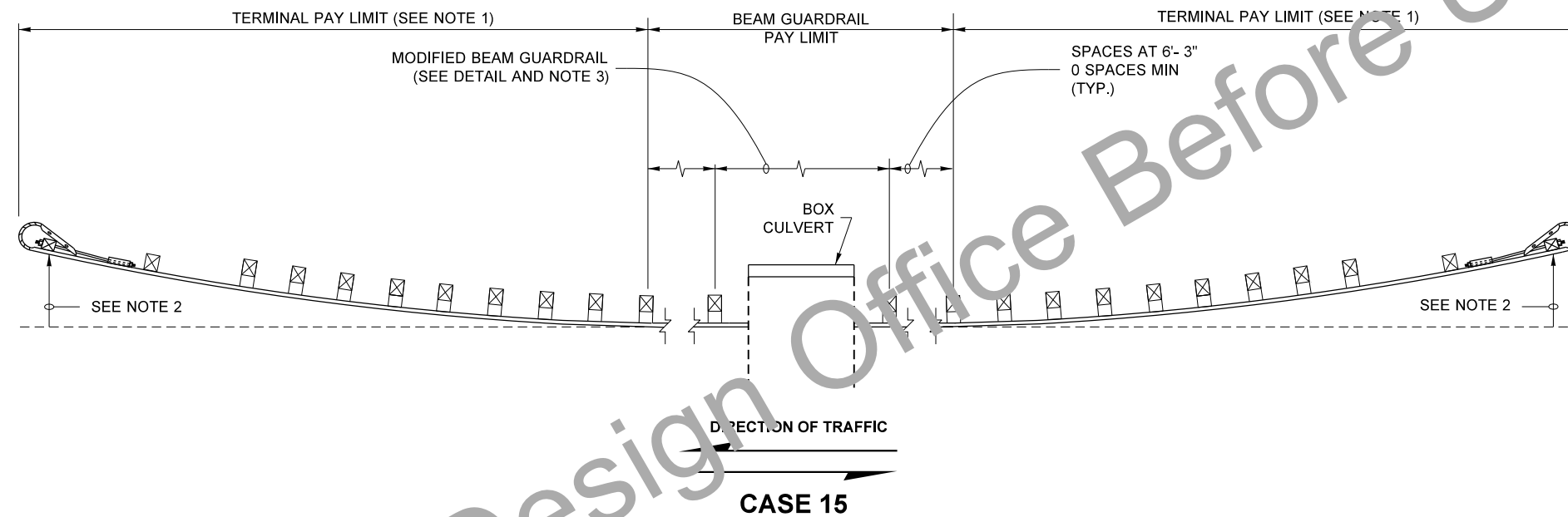


NOTES

1. SRT TERMINAL SHOWN. FOR TERMINAL TYPE AND DETAILS, SEE CONTRACT AND APPLICABLE **PLAN(S)**.
2. THE SLOPE FROM THE EDGE OF THE SHOULDER INTO THE FACE OF THE GUARDRAIL SHOULD NOT BE STEEPER THAN 10H : 1V.
3. SEE PLAN FOR **BOX CULVERT GUARDRAIL STEEL POST**.
4. FOR SPANS UP TO 18'- 9", SEE **PLAN FOR GUARDRAIL PLACEMENT** SEES 19, 20, AND 21.



**BOX CULVERT
DETAIL**

TYPE 1 GUARDRAIL PLACEMENT (CASE 15)

FILE NAME		S:\Design R P & S\4-Standards\2-Plan Sheet Library\02-PSL Work in Progress\C series conversion\TB-c2\TB-c21.dgn		REGION NO.		STATE		FED.AID PROJ.NO.		Plot 1	
TIME		8:15:45 AM		10		WASH				PLAN REF NO	
DATE		8/2/2018								TB-C2i	
PLOTTED BY		liddelf								SHEET	
DESIGNED BY										1	
ENTERED BY										OF	
CHECKED BY										1	
PROJ. ENGR.										SHEETS	
REGIONAL ADM.				CONTRACT NO.		LOCATION NO.		DATE		DATE	
REVISION		DATE		BY				P.E. STAMP BOX		P.E. STAMP BOX	

