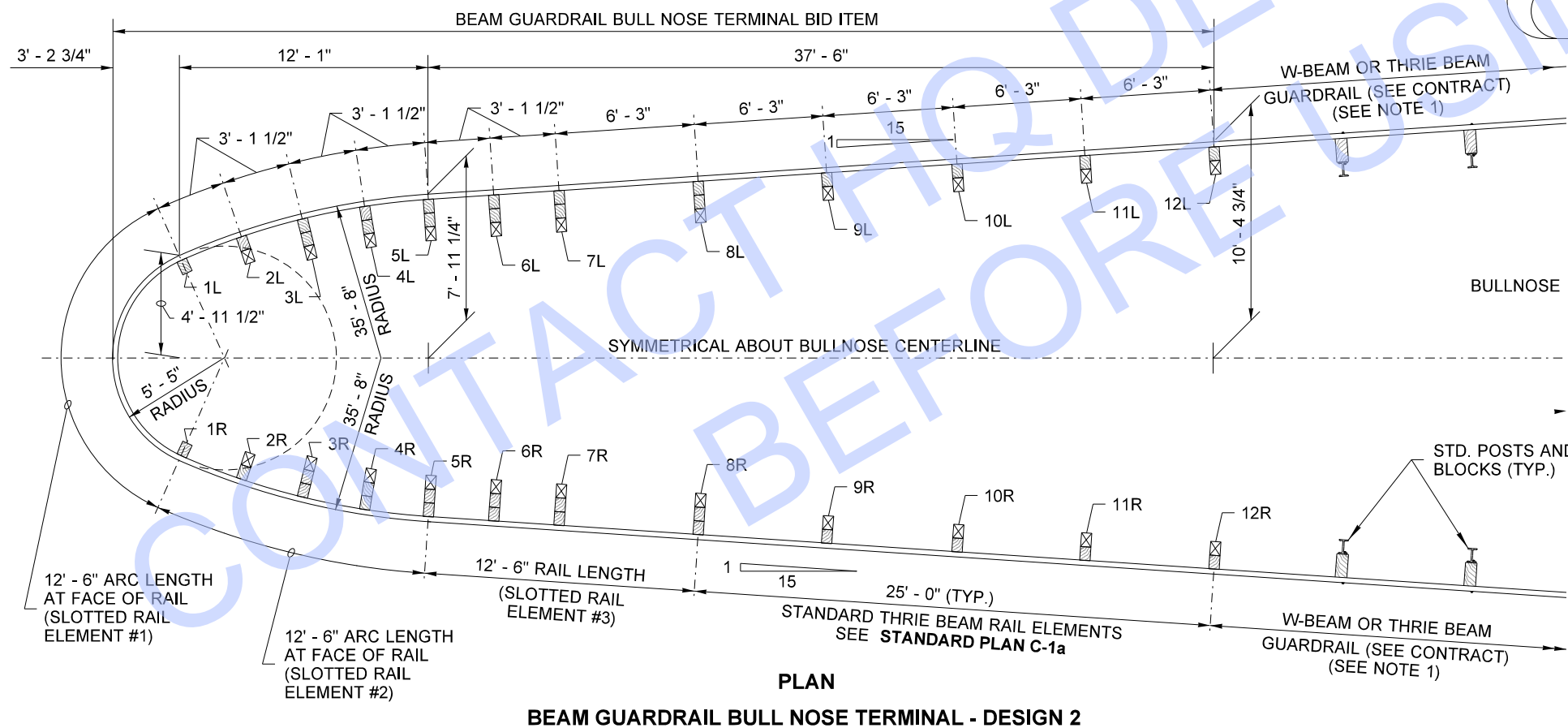
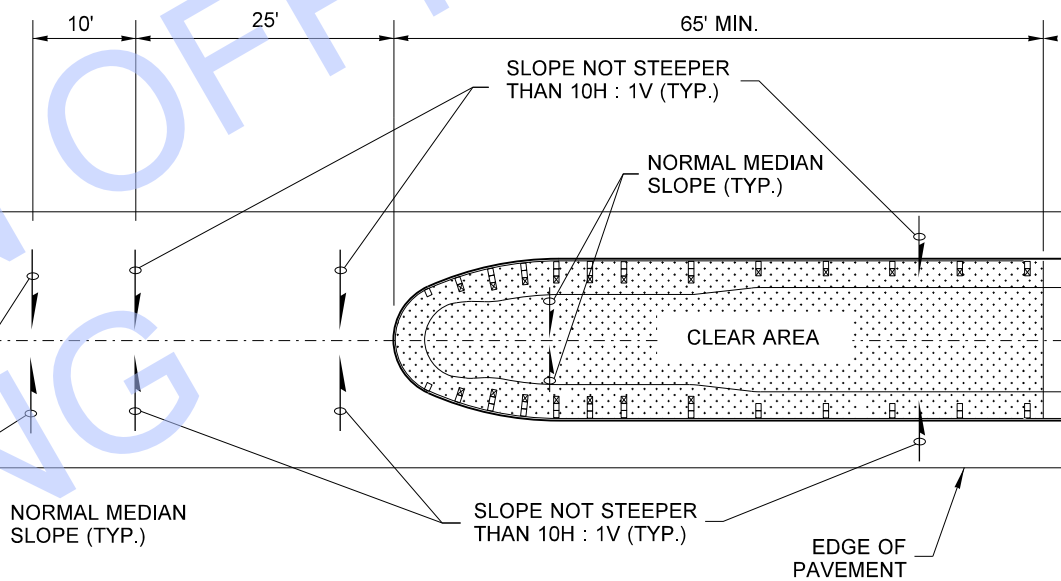
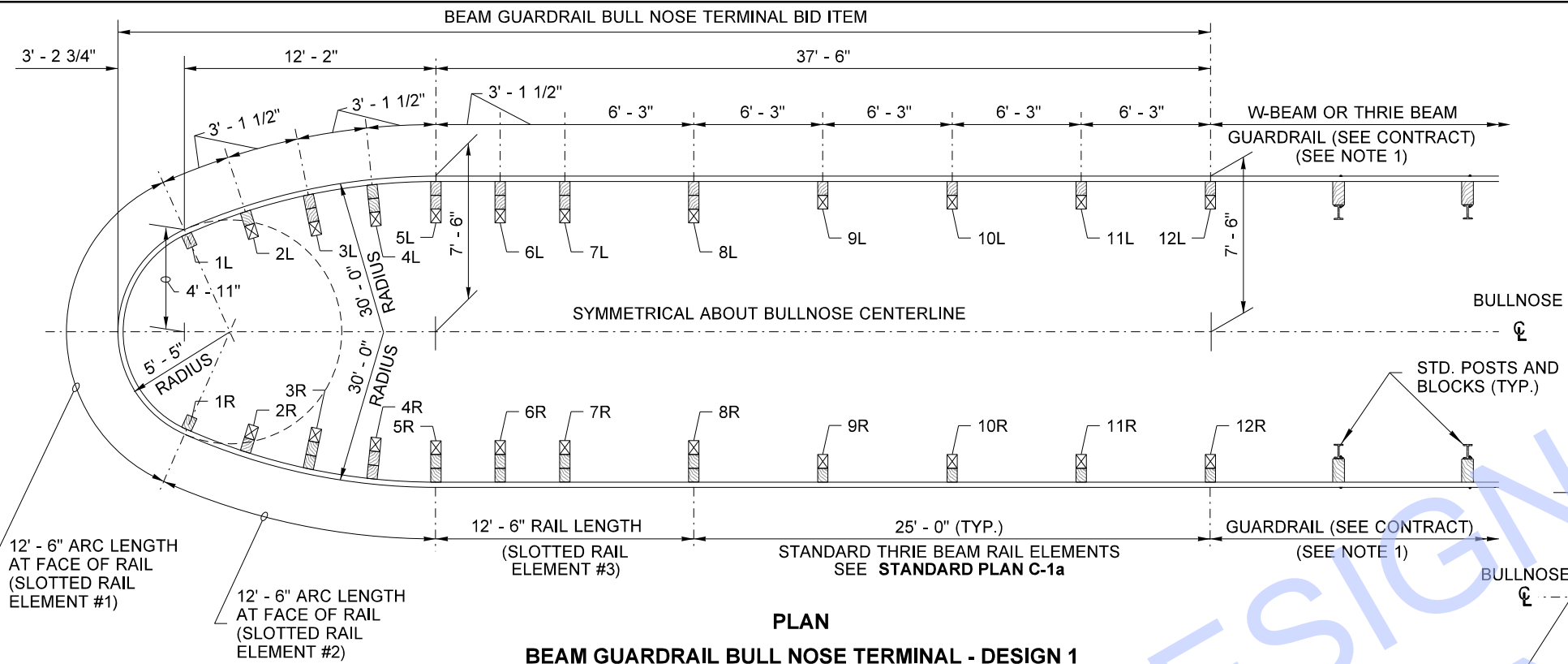


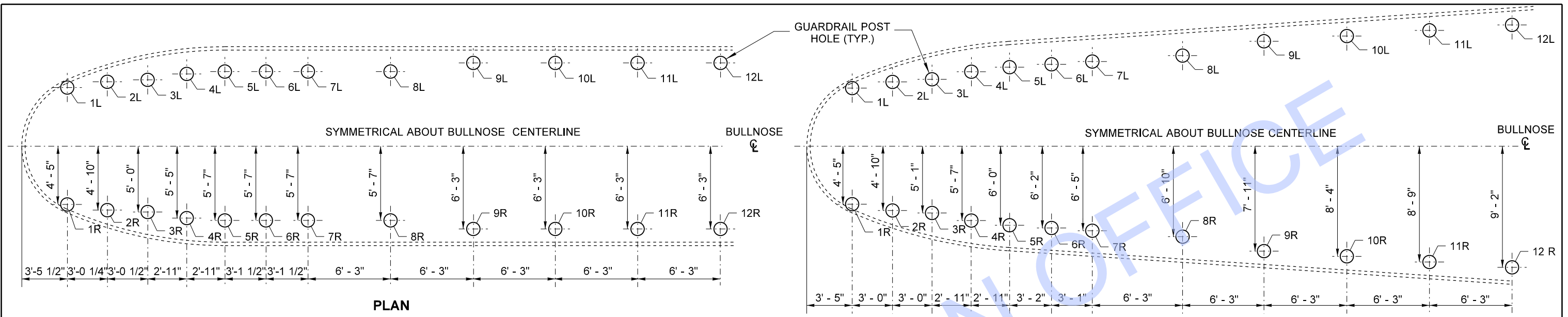
DRAWN BY: FERN LIDDELL

NOTE

- For W-Beam applications extend the rail from the bull nose terminal by using a "Reducer Element Type C" followed by a standard Post and Block, spaced at 3' - 1 1/2". Continue runs with standard 6' - 3" post spacing. For additional Details see **Standard Plans C-20.10** and **C-25.80**.

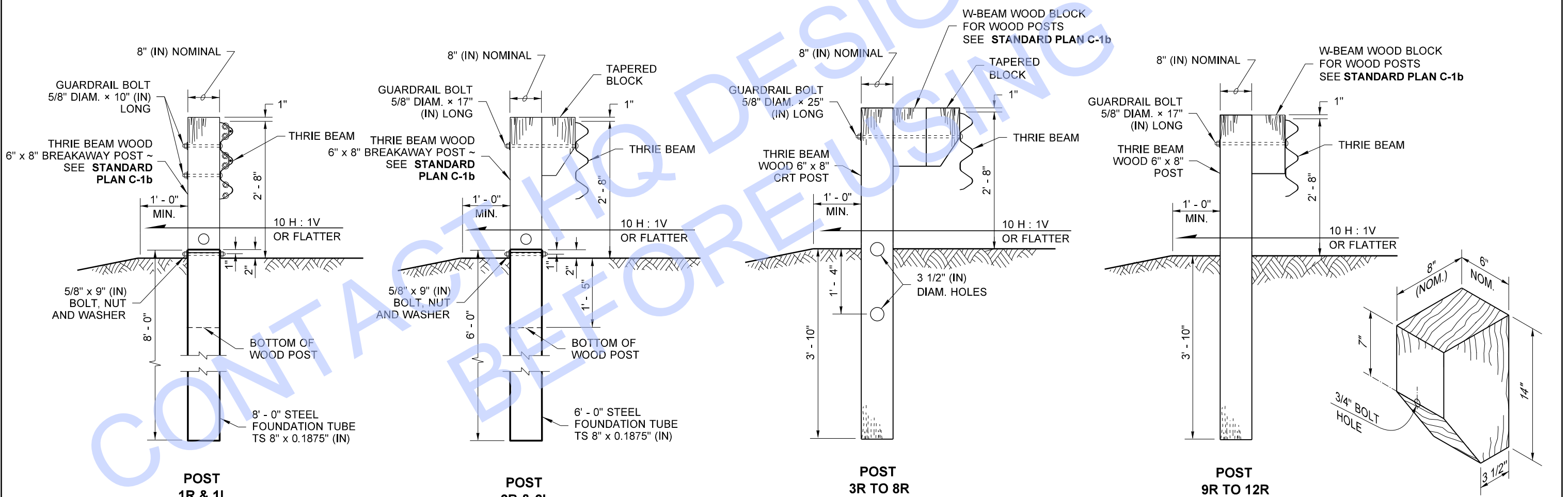


FILE NAME: C:\Users\BerensB\Desktop\2025_Revision_Package\New folder\TB-129.dgn		REGION NO. 10		STATE WASH		FED.AID PROJ.NO.		 Washington State Department of Transportation		BEAM GUARDRAIL BULL NOSE TERMINAL		PLAN REF NO TB-129	
TIME: 1:32:20 PM	DATE: 9/18/2024	JOB NUMBER		LOCATION NO.		SHEET 1 OF 4 SHEETS							
PLOTTED BY: BerensB	DESIGNED BY:	CONTRACT NO.		DATE		DATE		P.E. STAMP BOX		P.E. STAMP BOX			
ENTERED BY:	CHECKED BY:	REVISION		DATE		BY							
PROJ. ENGR.	REGIONAL ADM.												



**PLAN
GUARDRAIL POST LAYOUT - DESIGN 1**

**PLAN
GUARDRAIL POST LAYOUT - DESIGN 2**



**POST
1R & 1L**

**POST
2R & 2L**

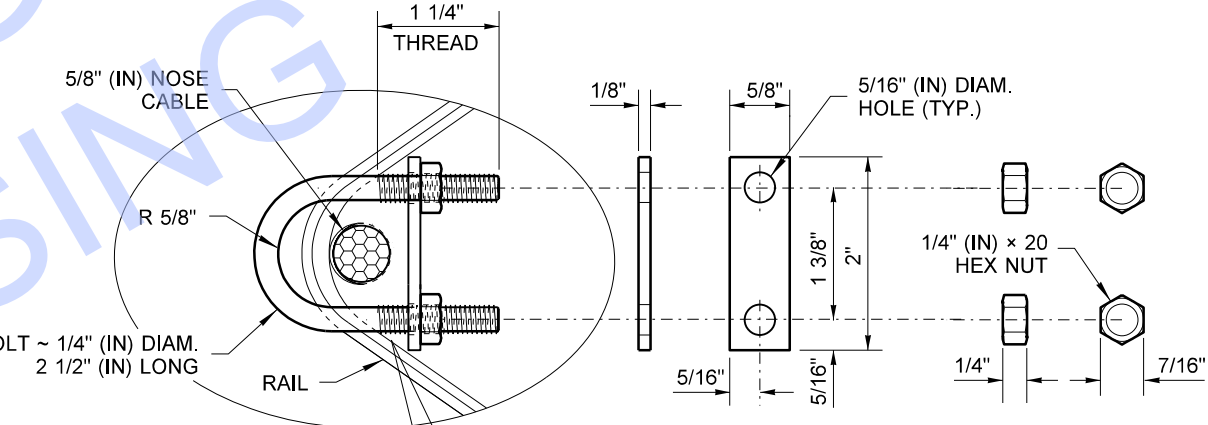
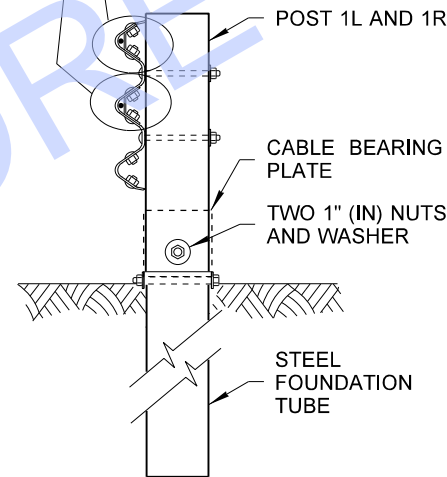
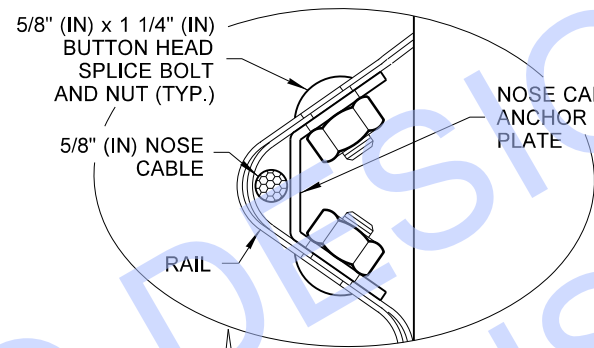
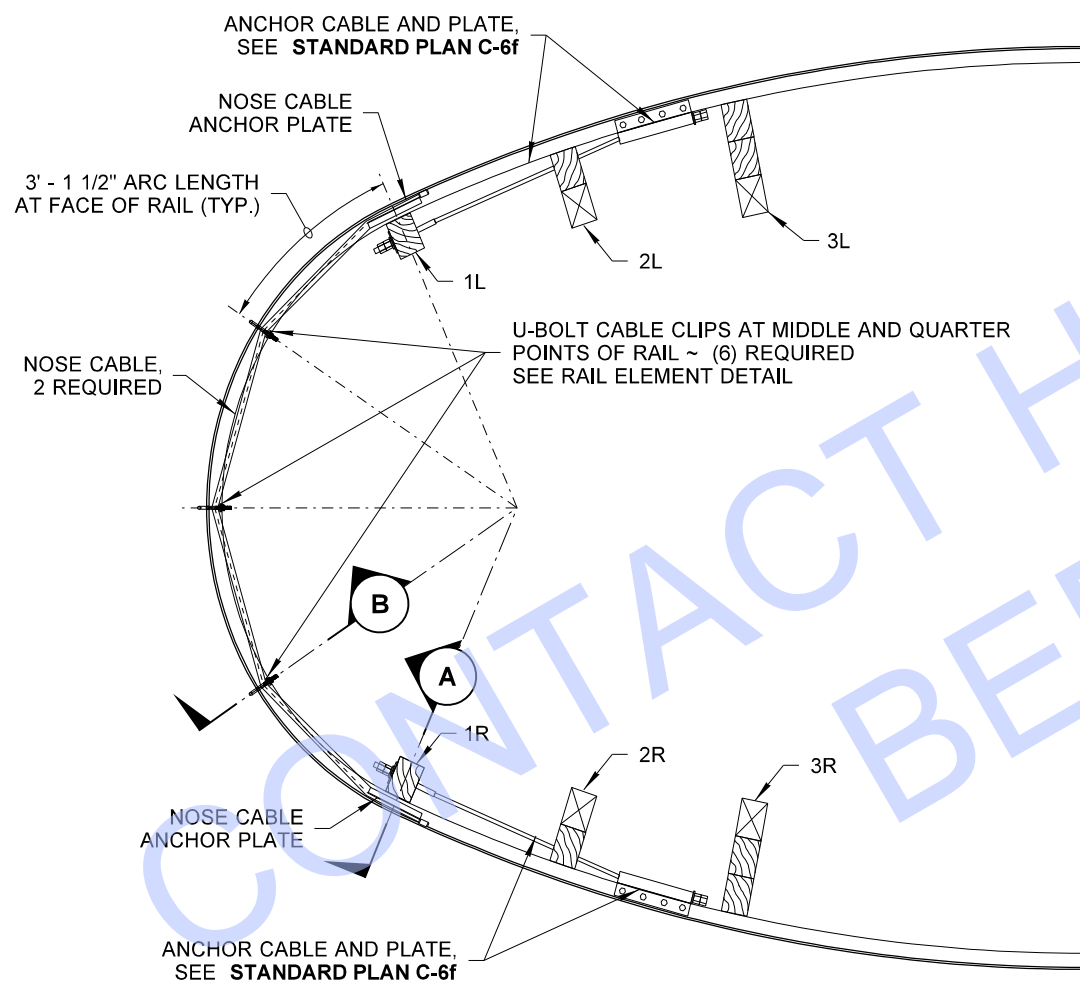
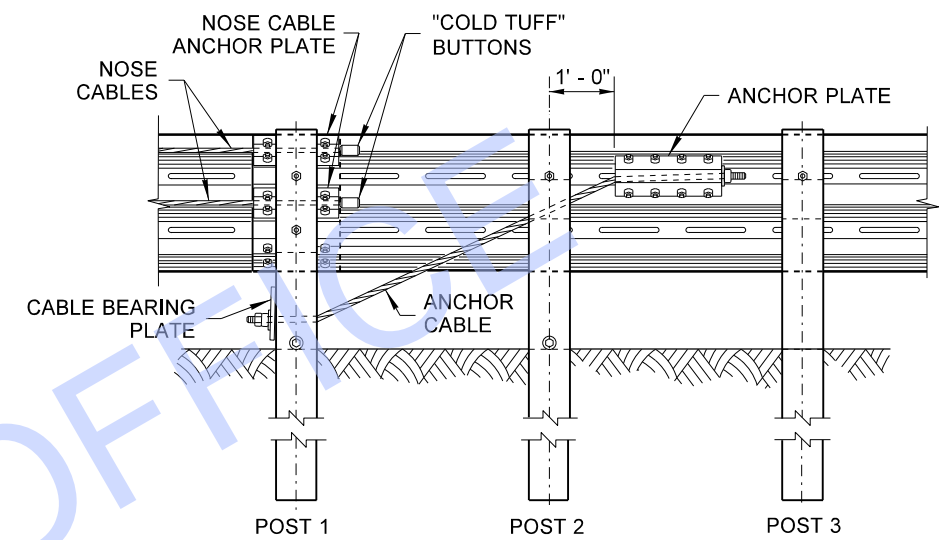
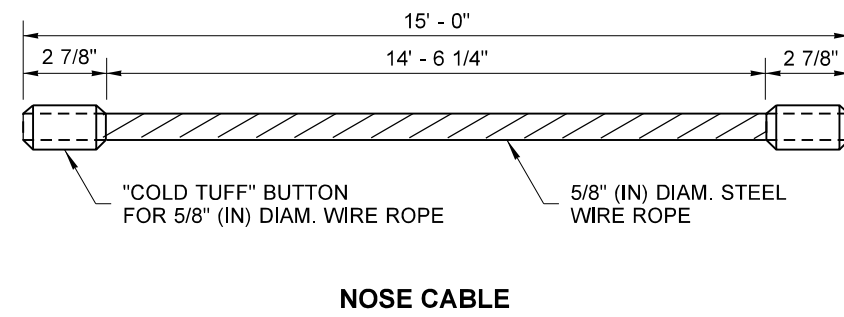
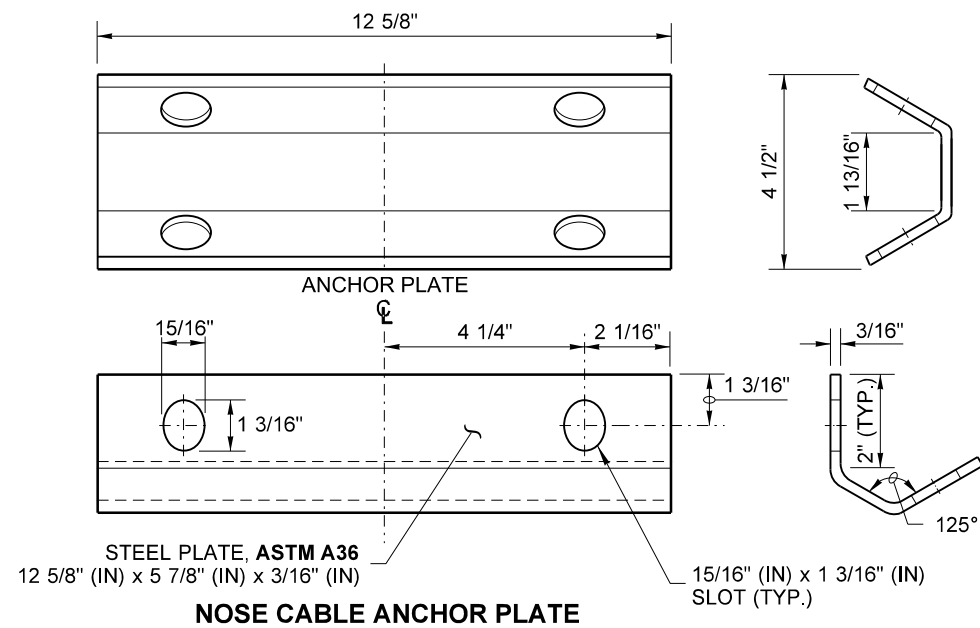
**POST
3R TO 8R
3L TO 8L**

**POST
9R TO 12R
9L TO 12L**

TAPERED BLOCK

NOTE :
CABLE BEARING PLATE
NOT SHOWN

FILE NAME C:\Users\BerensB\Desktop\2025_Revision_Package\New folder\TB-129.dgn		REGION NO. 10		STATE WASH	FED.AID PROJ.NO.	<p>Washington State Department of Transportation</p>	<p>BEAM GUARDRAIL BULL NOSE TERMINAL</p>	PLAN REF NO TB-129				
TIME 1:32:46 PM	DATE 9/18/2024	DESIGNED BY BerensB	ENTERED BY	CHECKED BY	PROJ. ENGR.			REGIONAL ADM.	REVISION	DATE	BY	CONTRACT NO.



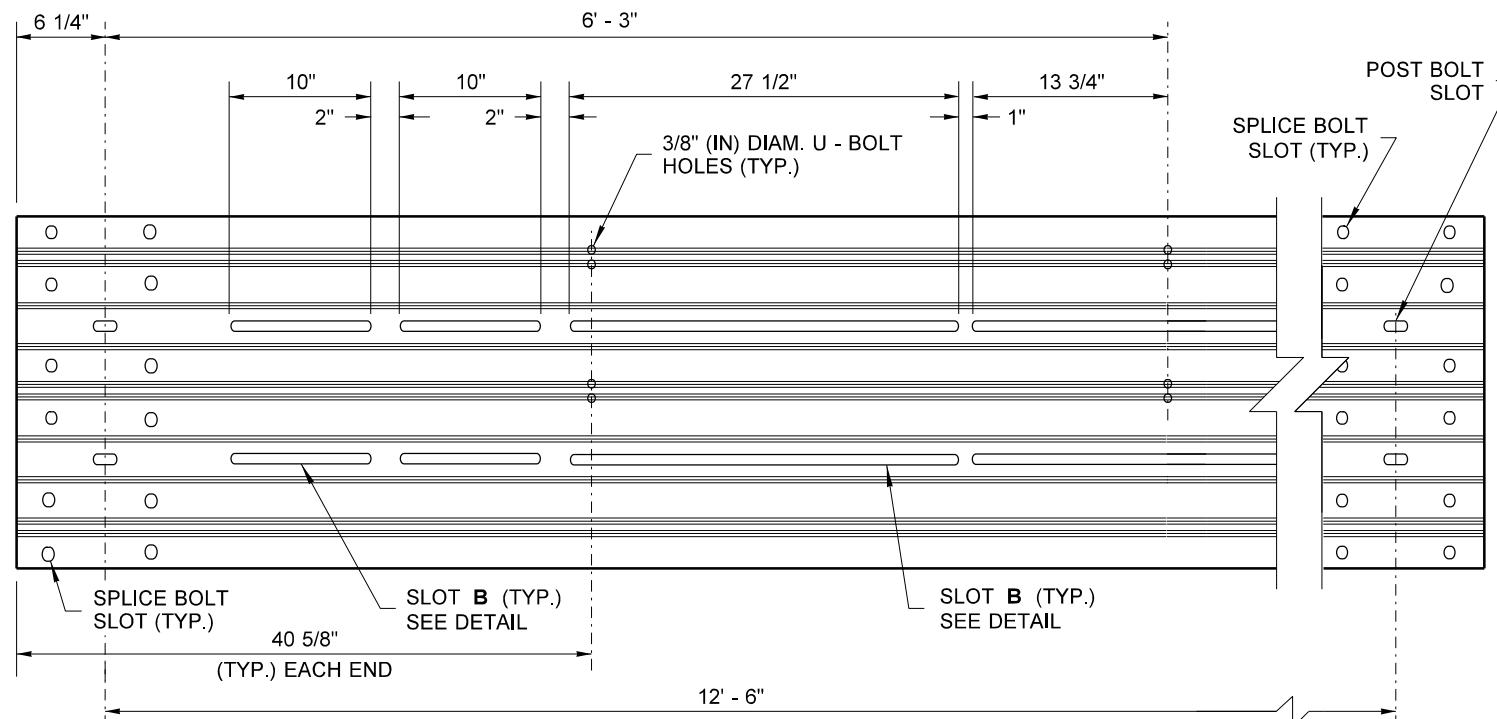
THE U-BOLT SHALL BE MADE FROM **ASTM A307** STEEL AND GALVANIZED ACCORDING TO **STANDARD SPECIFICATION, SECTION 9-16.3(3)**.

THE NUT SHALL BE **ASTM A307** STEEL, AND GALVANIZED ACCORDING TO **STANDARD SPECIFICATION, SECTION 9-16.3(3)**.

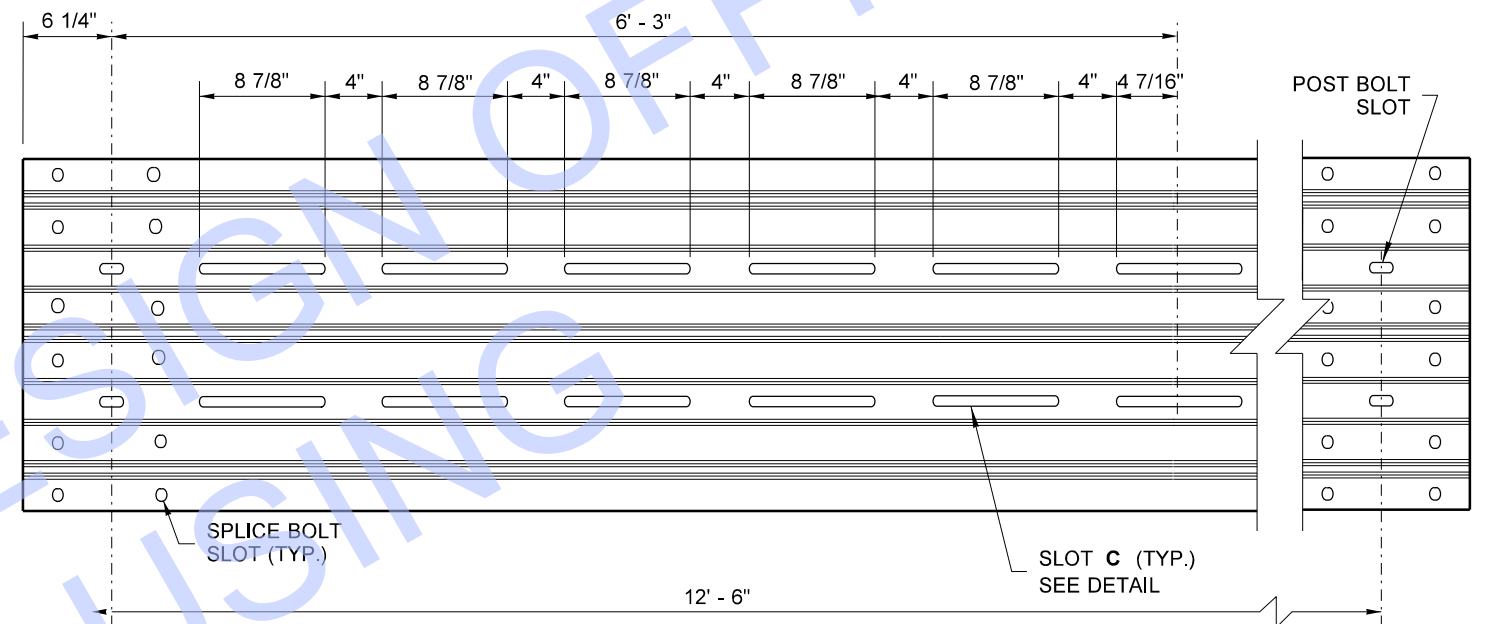
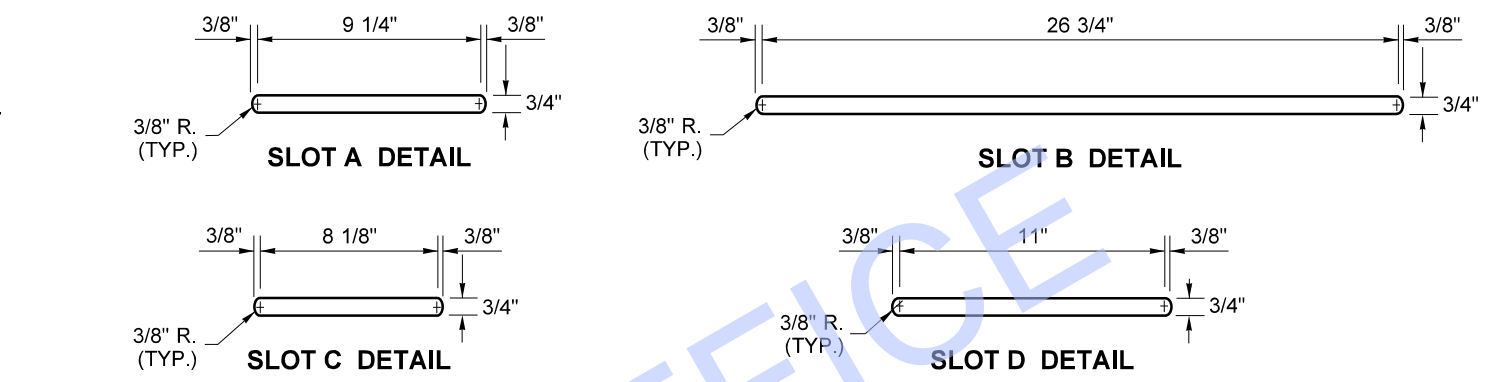
THE U-BOLT PLATE WASHER SHALL BE MADE FROM **ASTM A36 OR A36M** PLATE STEEL, AND GALVANIZED ACCORDING TO **STANDARD SPECIFICATION SECTION 9-16.3(3)**.

FILE NAME	C:\Users\BerensB\Desktop\2025_Revision_Package\New folder\TB-129.dgn			REGION NO.	STATE	FED.AID PROJ.NO.	Washington State Department of Transportation	BEAM GUARDRAIL BULL NOSE TERMINAL	PLAN REF NO
TIME	1:33:06 PM			10	WASH				TB-129
DATE	9/18/2024			JOB NUMBER				SHEET	
PLOTTED BY	BerensB			CONTRACT NO.		LOCATION NO.		3	
DESIGNED BY								OF	
ENTERED BY								4	
CHECKED BY								SHEETS	
PROJ. ENGR.									
REGIONAL ADM.	REVISION	DATE	BY						

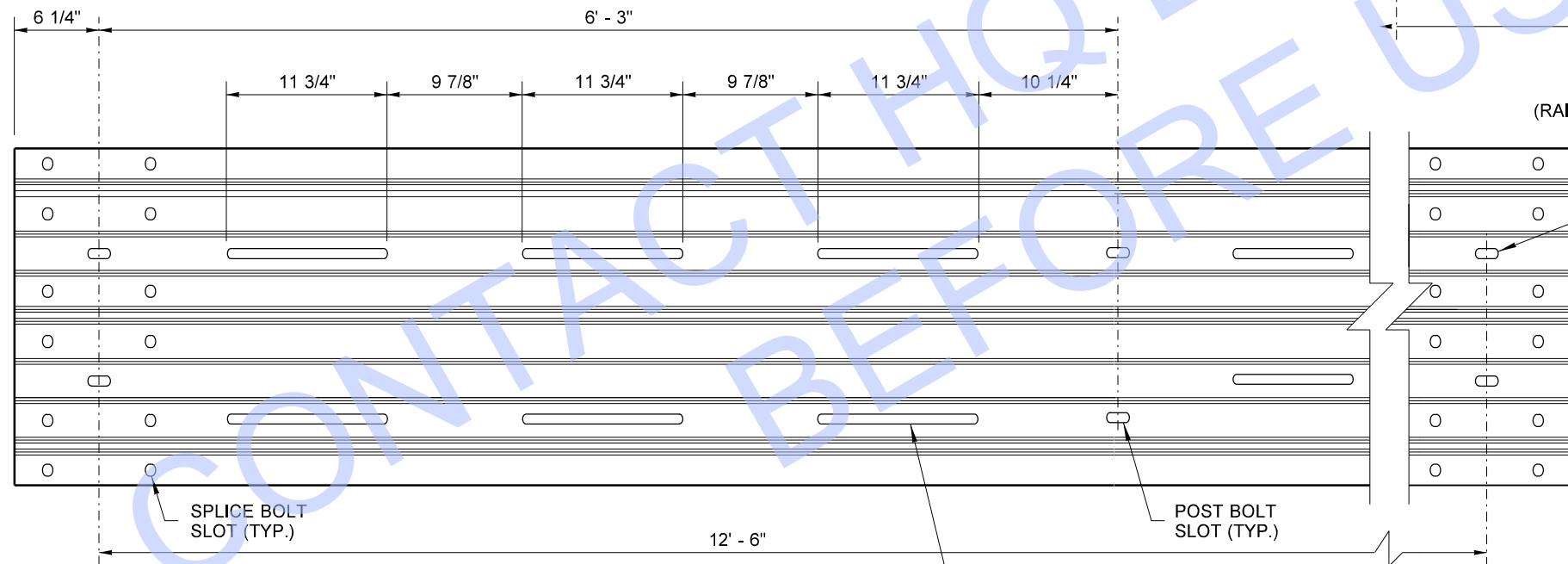
DRAWN BY: FERN LIDDELL




SLOTTED THRIE BEAM RAIL ELEMENT #1
 SEE STANDARD PLAN C-1a FOR RAIL ELEMENT DETAILS
 (RAIL DIMENSIONS SHOWN ARE BEFORE BENDING TO RADIUS SHOWN IN PLAN)



SLOTTED THRIE BEAM RAIL ELEMENT #2
 SEE STANDARD PLAN C-1a FOR RAIL ELEMENT DETAILS
 (RAIL DIMENSIONS SHOWN ARE BEFORE BENDING TO RADIUS SHOWN IN PLAN)



SLOTTED THRIE BEAM RAIL ELEMENT #3
 SEE STANDARD PLAN C-1a FOR RAIL ELEMENT DETAILS

FILE NAME C:\Users\BerensB\Desktop\2025_Revision_Package\New folder\TB-129.dgn		REGION NO. 10		STATE WASH	FED.AID PROJ.NO.	 Washington State Department of Transportation	PLAN REF NO TB-129				
TIME 1:33:25 PM	DATE 9/18/2024	JOB NUMBER		LOCATION NO.	SHEET 4 OF 4 SHEETS						
PLOTTED BY BerensB	DESIGNED BY	ENTERED BY	CHECKED BY	PROJ. ENGR.		REGIONAL ADM.	REVISION	DATE	BY	P.E. STAMP BOX	DATE