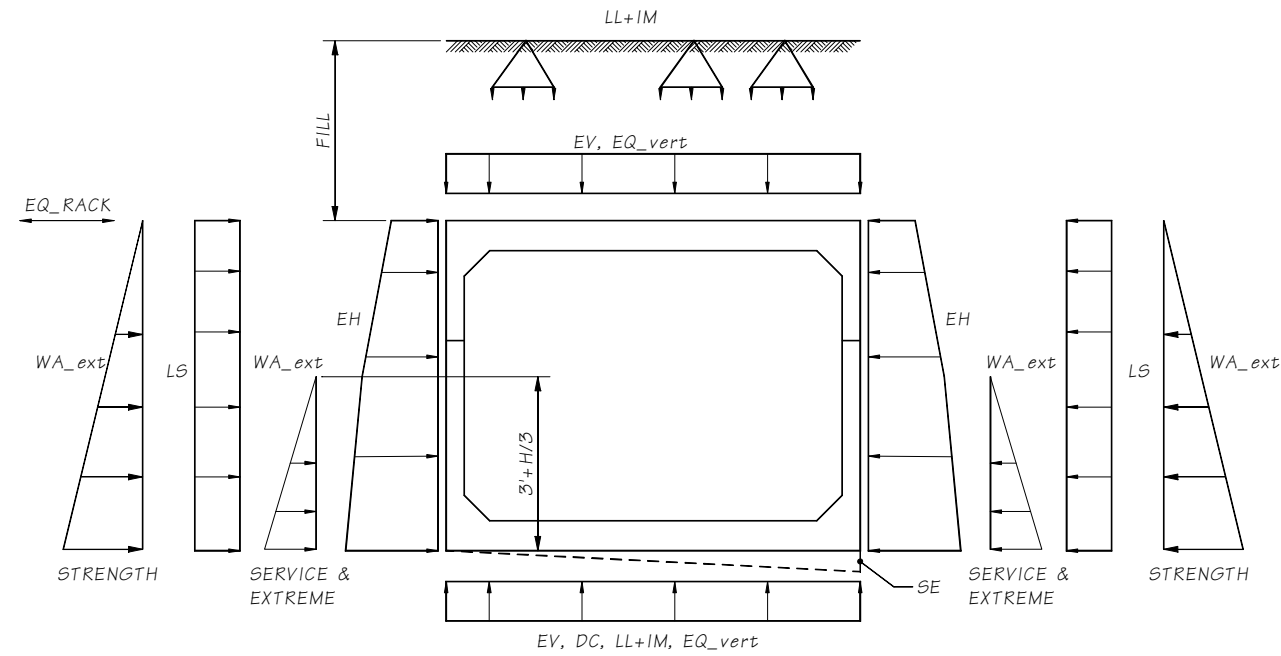


Last revised on : 07/07/2023

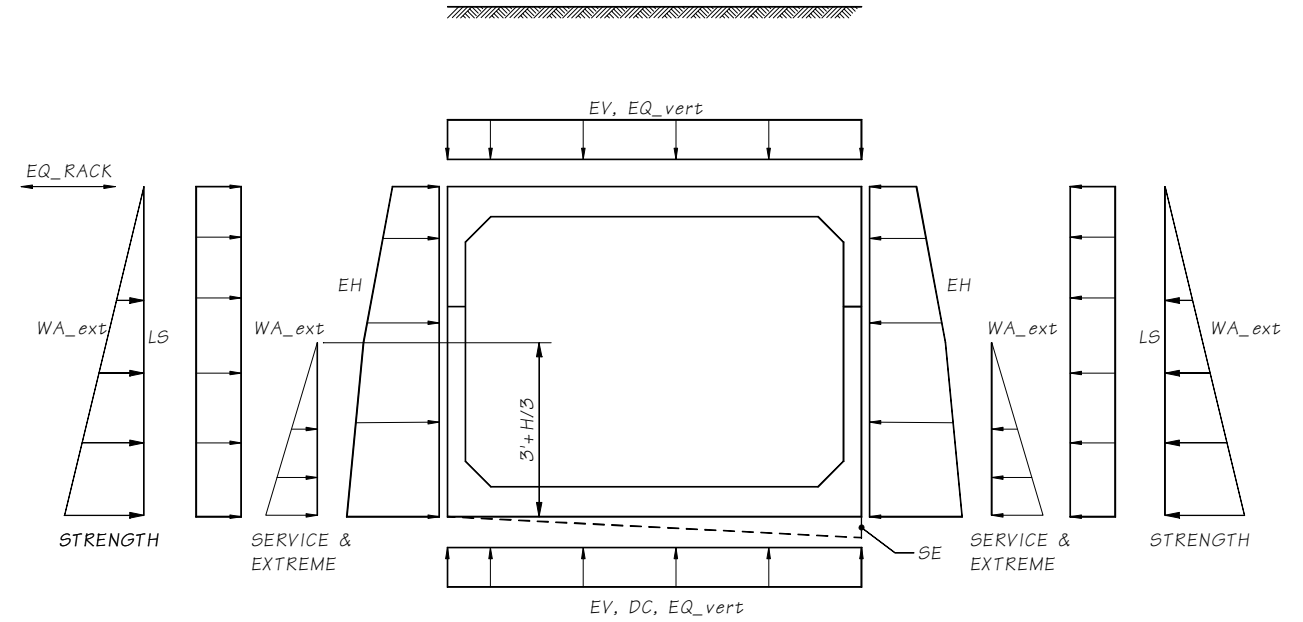
SR JOB NO. SHEET

8-11-A-8



**STRUCTURE EMPTY, GROUND WA EXTERIOR**

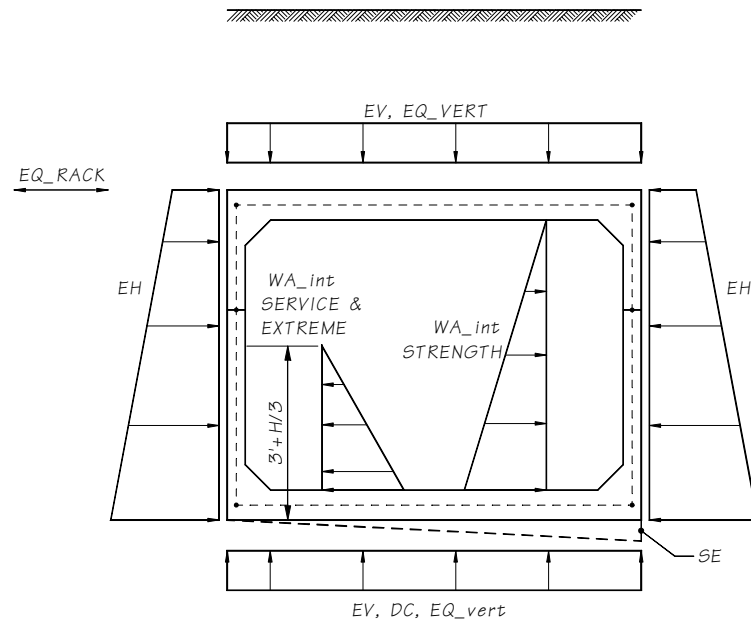
MAX. VERT FORCE ON ROOF, MAX. LATERAL INWARD FORCE ON WALLS  
 STRENGTH I = 1.25DC+1.5DW+1.35EH+1.30EV+1.75LS+1.75(LL+I)+1.0WA\_ext  
 SERVICE I = 1.0DC+1.0DW+1.0EV+1.0EH+1.0LS+1.0(LL+I)+1.0WA\_ext+1.0SE  
 EXTREME I = 1.0DC+1.0DW+1.0EH+1.0EV+0.5(LL+I)+0.5LS+1.0WA\_ext+1.0EQ



**STRUCTURE EMPTY, GROUND WA EXTERIOR**

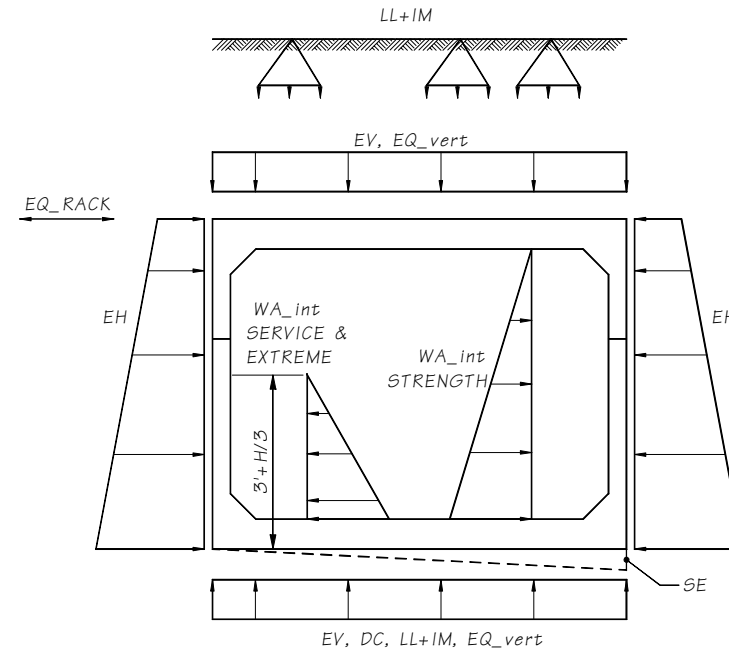
MIN. VERT FORCE ON ROOF, MAX. LATERAL INWARD FORCE ON WALLS  
 STRENGTH I = 0.9DC+0.65DW+1.35EH+0.9EV+1.75LS+1.0WA\_ext  
 SERVICE I = 1.0DC+1.0DW+1.0EV+1.0EH+1.0LS+1.0WA\_ext+1.0SE  
 EXTREME I = 1.0DC+1.0DW+1.0EH+1.0EV+0.5LS+1.0WA\_ext+1.0EQ

Note: EQ = Max of:  
 1.0EQ\_Rack + 0.3EQ\_vert  
 0.3EQ\_Rack + 1.0EQ\_vert



**STRUCTURE FULL, NO GROUND WA**

MIN. VERT FORCE ON ROOF, MAX. OUTWARD/MIN. INWARD LAT. FORCE ON WALLS  
 STRENGTH I = 0.9DC+0.65DW+0.9EH+0.9EV+1.0WA\_int  
 SERVICE I = 1.0DC+1.0DW+1.0EV+1.0EH+1.0WA\_int+1.0SE  
 EXTREME I = 1.0DC+1.0DW+1.0EV+1.0EH+1.0WA\_INT+1.0EQ



**STRUCTURE FULL, NO GROUND WA**

MAX. VERT FORCE ON ROOF, MAX. OUTWARD/MIN. INWARD LAT. FORCE ON WALLS  
 STRENGTH I = 1.25DC+1.5DW+0.9EH+1.30EV+1.75(LL+I)+1.0WA\_int  
 SERVICE I = 1.0DC+1.0DW+1.0EV+1.0EH+1.0(LL+I)+1.0WA\_int+1.0SE  
 EXTREME I = 1.0DC+1.0DW+1.0EV+1.0EH+0.5(LL+I)+1.0WA\_int+1.0EQ

Bridge Design Engr.	M:\STANDARDS\Buried Structures\BURIED STRUCTURES\8.3_A1_3 Split Box General Load Combinations.MAN					REGION NO.	STATE	FED. AID PROJ. NO.	SHEET NO.	TOTAL SHEETS
Supervisor						10	WASH.			
Designed By						JOB NUMBER				
Checked By										
Detailed By										
Bridge Projects Engr.										
Prelim. Plan By										
Architect/Specialist	DATE	REVISION	BY	APPD						

**BRIDGE AND STRUCTURES OFFICE**



**BURIED STRUCTURES**

*SPLIT BOX GENERAL LOAD COMBINATIONS*

BRIDGE SHEET NO.  
SHEET  
OF  
SHEETS