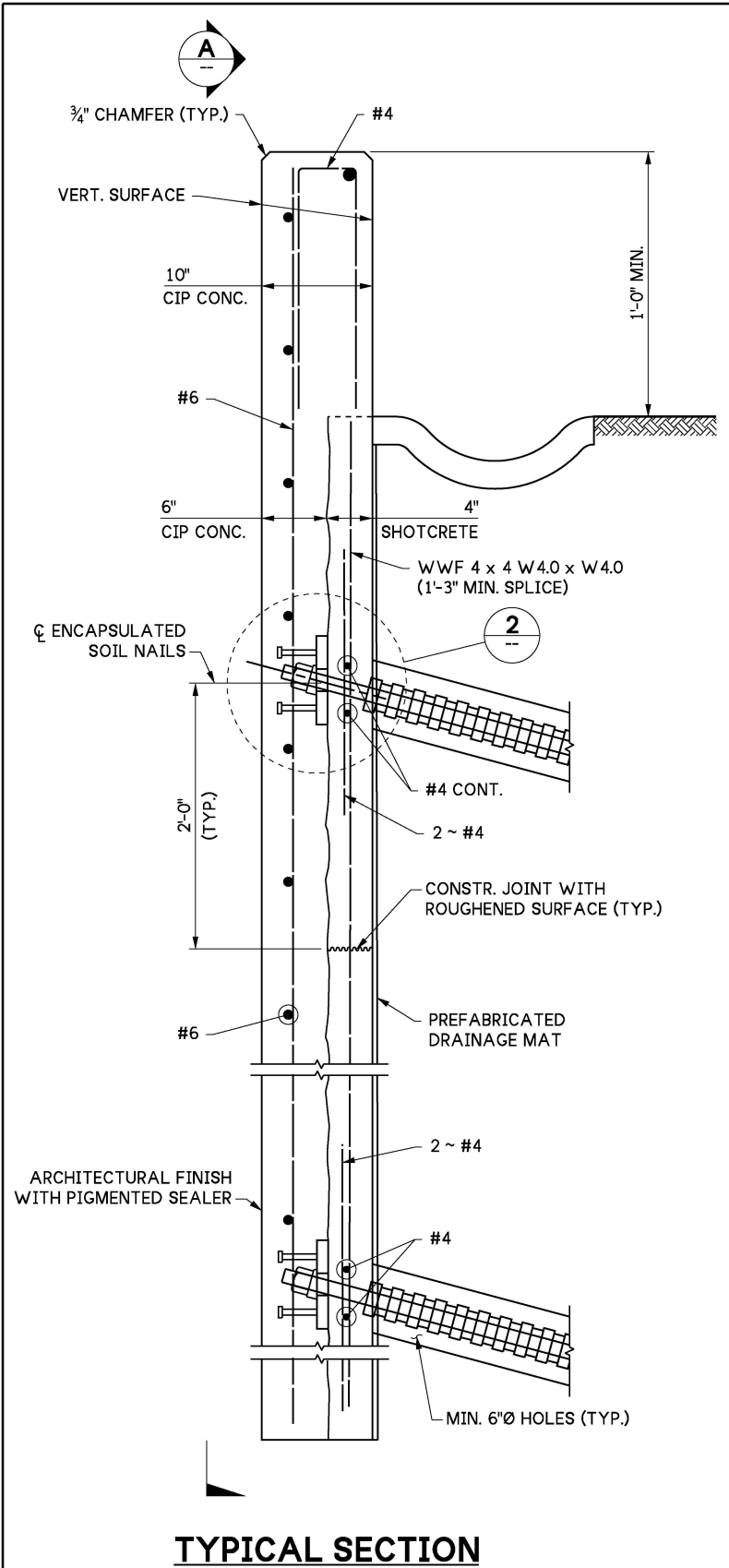
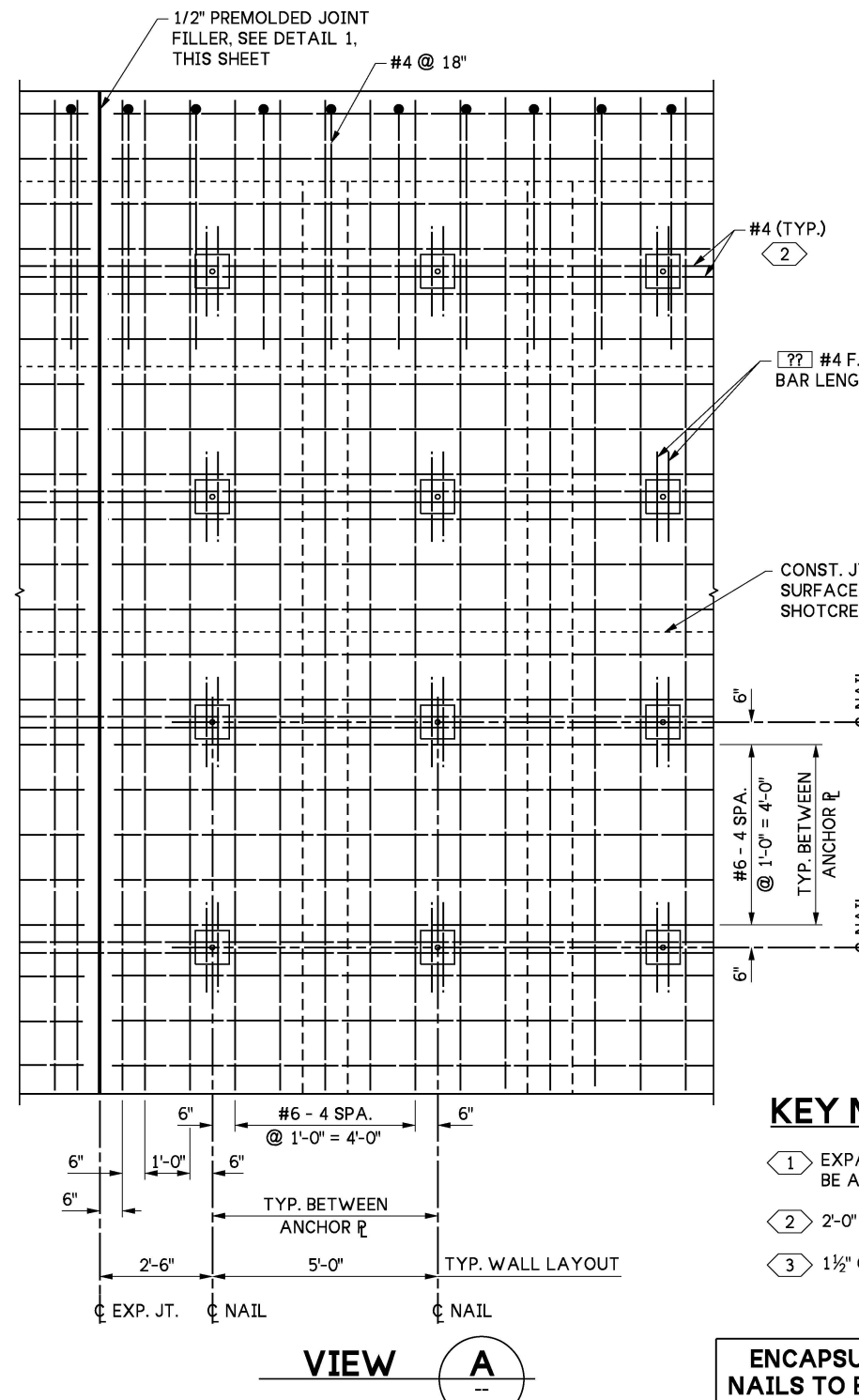


LAST REVISED: 10/21/2025

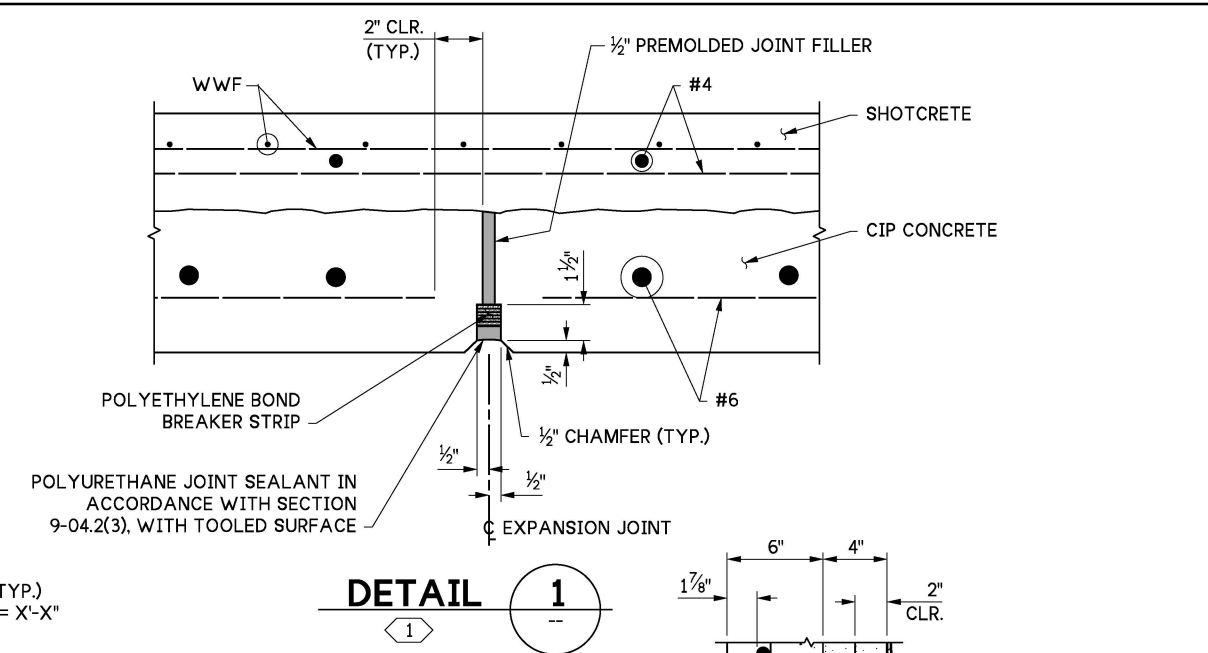
8.1-A4-4



TYPICAL SECTION



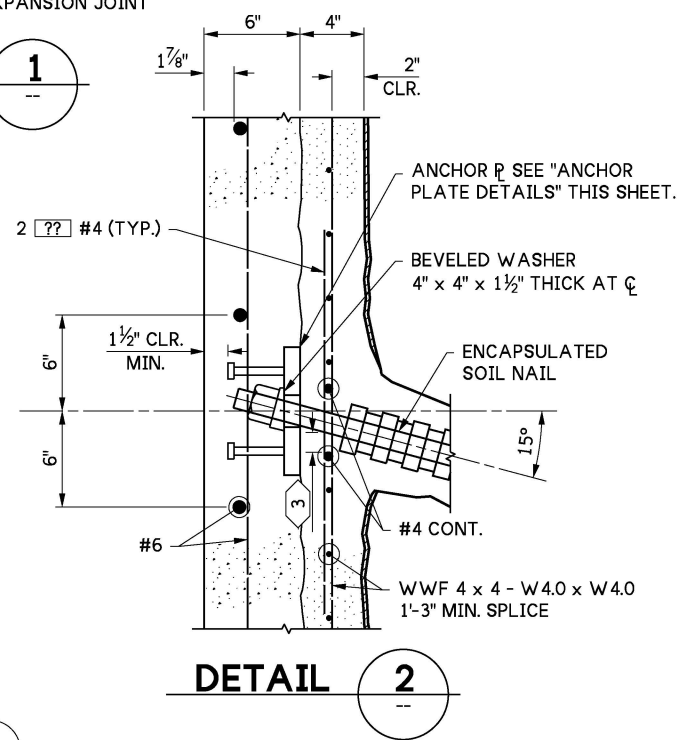
FASCIA WALL REINFORCEMENT
WWF NOT SHOWN FOR CLARITY



DETAIL 1

NOTES TO DESIGNER:

1. THE REINFORCEMENT SHOWN ON THIS SHEET IS NOT STANDARD. REINFORCEMENT SIZE AND SPACING NEEDS TO BE DESIGNED FOR THE PROJECT SPECIFIC FACTORED DESIGN LOADS.
2. ANCHOR PLATE DETAILS AND HEADED STUD SIZE AND LENGTH SHOWN ON THIS SHEET IS NOT STANDARD AND SHALL BE DESIGNED FOR THE PROJECT SPECIFIC FACTORED DESIGN LOADS.
3. THE VERTICAL BARS PLACED ON EITHER SIDE OF THE SOIL NAIL IN THE INITIAL SHOTCRETE FACING SHALL BE A MIN. LENGTH OF 0.6sv, SEE AASHTO LRFD BDS FIGURE 11.12.6.2.2-1.

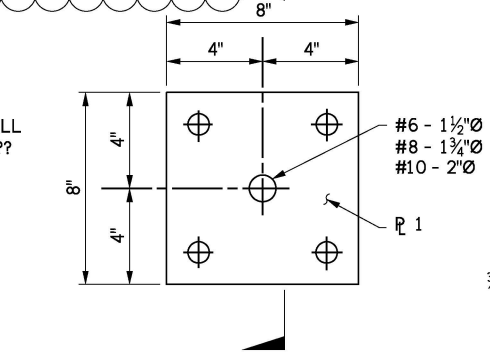


DETAIL 2

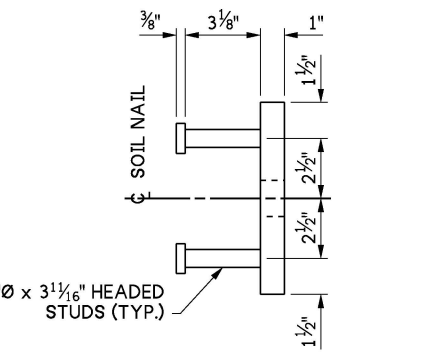
KEY NOTES:

- ① EXPANSION JOINT SPACING SHALL BE AS SHOWN ON BRIDGE SHEET???
- ② 2'-0" MINIMUM LAP SPLICE
- ③ 1 1/2" CLEAR

ENCAPSULATED SOIL NAILS TO BE USED WHEN RECOMMENDED BY THE GEOTECHNICAL ENGINEER



ANCHOR PLATE DETAILS
AASHTO A 36



SECTION D

| | | | |
|------------------------|---|----------------------|--|
| FILE NAME | 8.1-A4-4_Soil Nail Wall Fascia Encapsulated.dgn | | |
| BRIDGE DES. ENG. | | | |
| BRIDGE PROJ. ENG. | | | |
| SUPERVISOR | | | |
| DESIGNED BY | | | |
| CHECKED BY | | | |
| ENTERED BY | | | |
| PRELIM. PLAN BY | | | |
| ARCH. / SPEC. | | | |
| PLOT DATE: 18-Feb-2026 | PLOT TIME: 9:59:37 AM | PLOTTED BY: deboejak | FILE PATH: pw://projectstore.wsdot.wa.gov:WSDOT/Documents/_HQ/Bridge & Structures/Bridge Design/_Design Standards/Standard Drawings and Details/Walls and Fall Protection/Soil Nail Walls/_DGN/8.1-A4-4_Soil Nail Wall Fascia Encapsulated.dgn |

REGION NO. 10 STATE WASH
JOB NUMBER
CONTRACT NO.

WSDOT

PRELIMINARY PLAN
NOT FOR CONSTRUCTION

| | |
|------------------------------|------------------------------|
| SEE CERTIFICATION SHEET DATE | SEE CERTIFICATION SHEET DATE |
| STAMP BOX | STAMP BOX |

| | |
|--|-----------------|
| STANDARD DESIGN DRAWINGS SOIL NAIL WALLS | PLAN REF NO. |
| SOIL NAIL WALL FASCIA - ENCAPSULATED DETAILS 4 OF 4 | SHEET OF SHEETS |