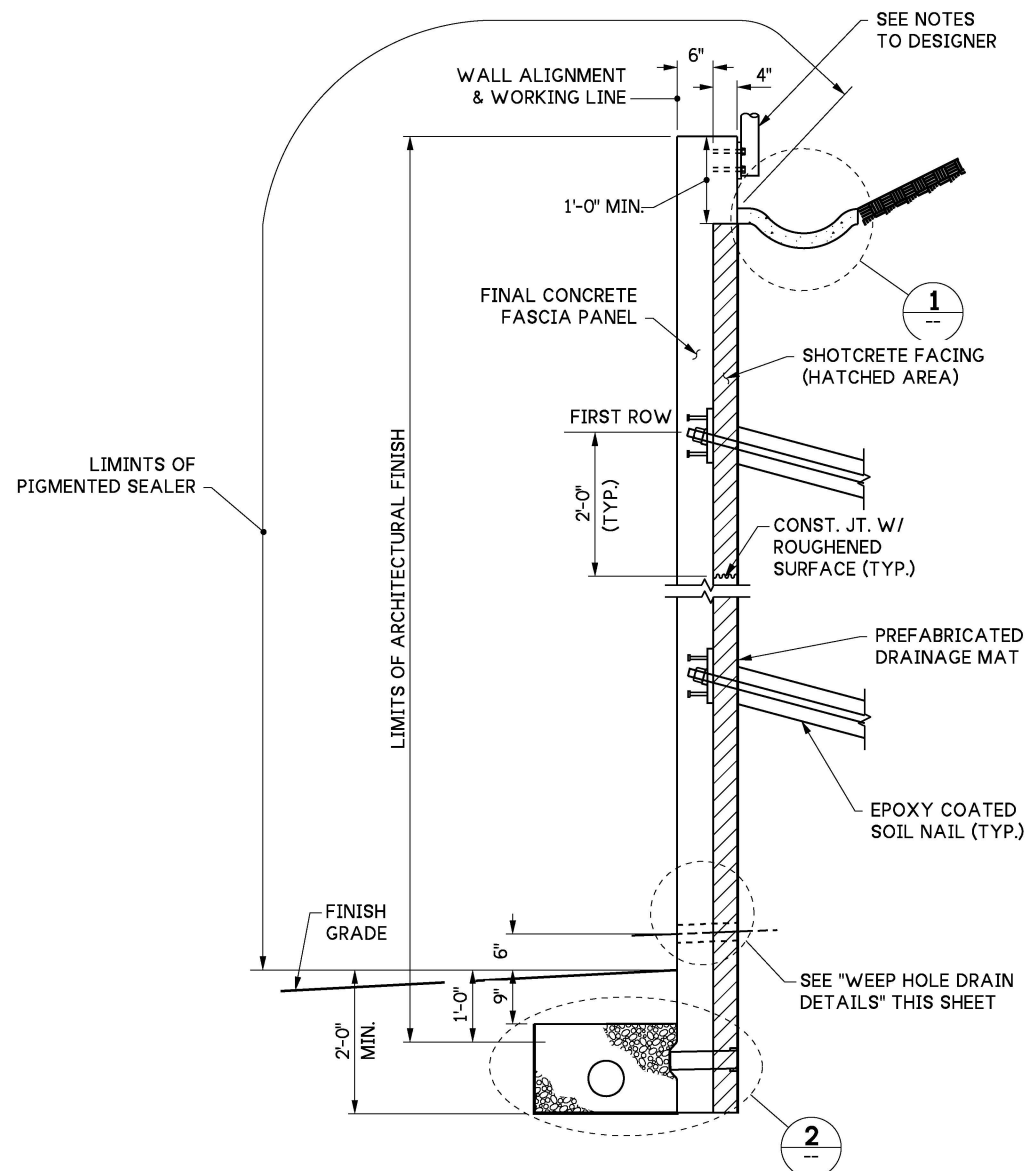
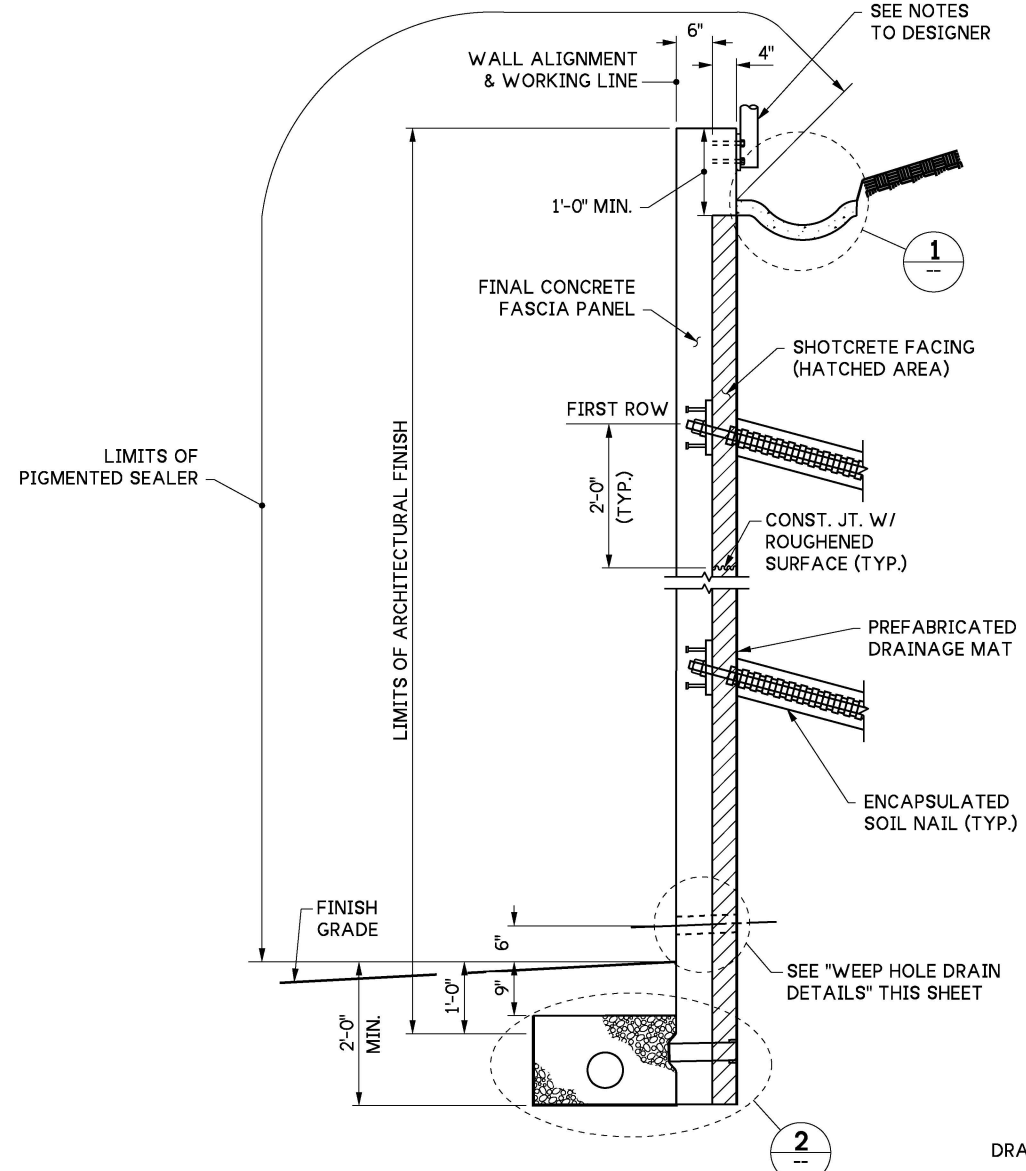


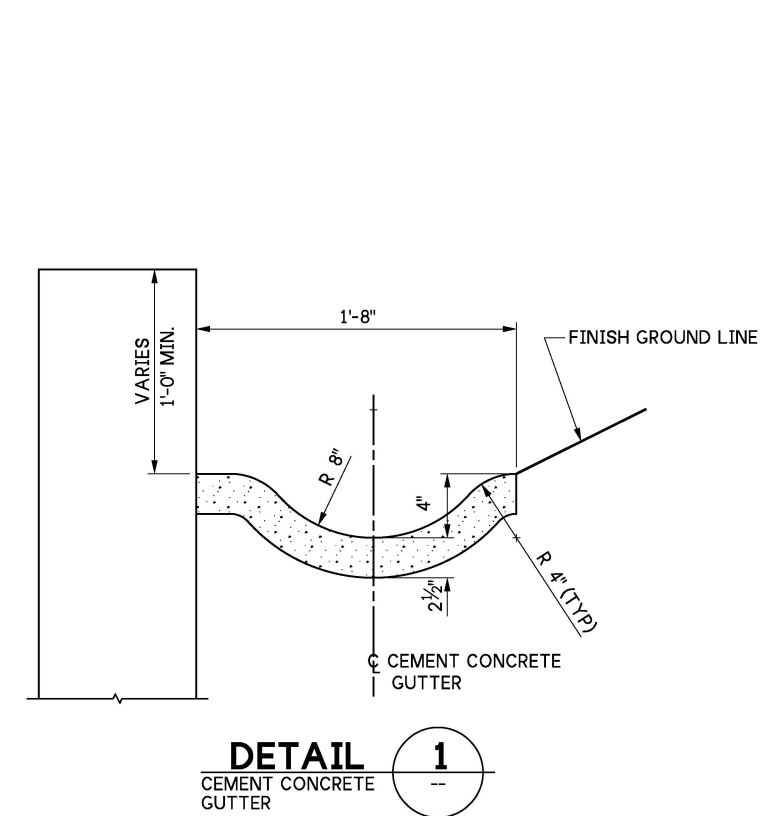
LAST REVISED: 06/12/2025



**TYPICAL SECTION
EPOXY COATED SOIL NAIL WALL**



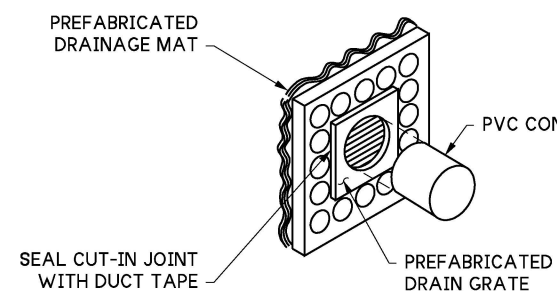
**TYPICAL SECTION
ENCAPSULATED SOIL NAIL WALL**



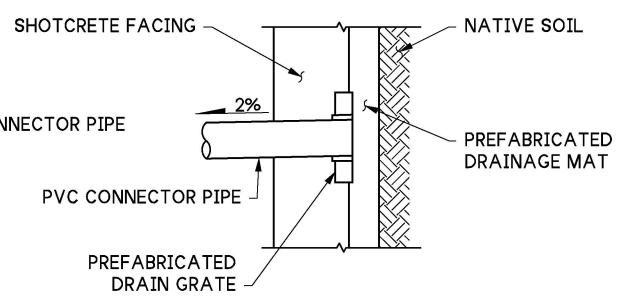
**DETAIL 1
CEMENT CONCRETE
GUTTER**

NOTES TO DESIGNER:

1. ABOVE GROUND WEEP HOLE IS OPTIONAL WHEN BELOW GROUND WEEP HOLE/UNDERDRAIN IS USED.
2. DESIGNER TO COORDINATE WITH BOTH THE CIVIL ENGINEER AND THE BRIDGE ARCHITECT TO SELECT APPROPRIATE "WORKER FALL PROTECTION" OR "PEDESTRIAN AND BICYCLE RAILINGS FOR FALL PROTECTION" SEE BDM 8.1.11.B.



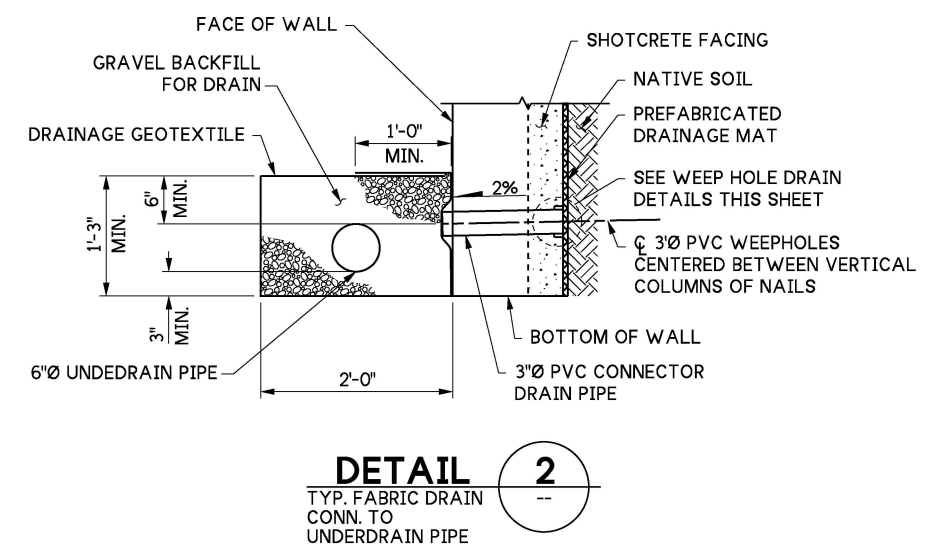
ISOMETRIC VIEW



SECTIONAL VIEW

WEEP HOLE DRAIN DETAILS

DRAIN GRATE INSTALLATION SHALL NOT DISRUPT PREFABRICATED DRAINAGE MAT



**DETAIL 2
TYP. FABRIC DRAIN
CONN. TO
UNDERDRAIN PIPE**

8.1-A4-2

FILE NAME	8.1-A4-2_Soil Nail Wall Typical Section.dgn			
BRIDGE DES. ENG.				
BRIDGE PROJ. ENG.				
SUPERVISOR				
DESIGNED BY				
CHECKED BY				
ENTERED BY				
PRELIM. PLAN BY				
ARCH. / SPEC.				
	REVISION	DATE	BY	

REGION NO.	STATE
10	WASH
JOB NUMBER	
CONTRACT NO.	

WSDOT

PRELIMINARY PLAN
NOT FOR CONSTRUCTION

SEE CERTIFICATION SHEET DATE	SEE CERTIFICATION SHEET DATE
STAMP BOX	STAMP BOX

STANDARD DESIGN DRAWINGS SOIL NAIL WALLS
SOIL NAIL WALL SECTION DETAILS 2 OF 4

PLAN REF NO
SHEET
OF
SHEETS