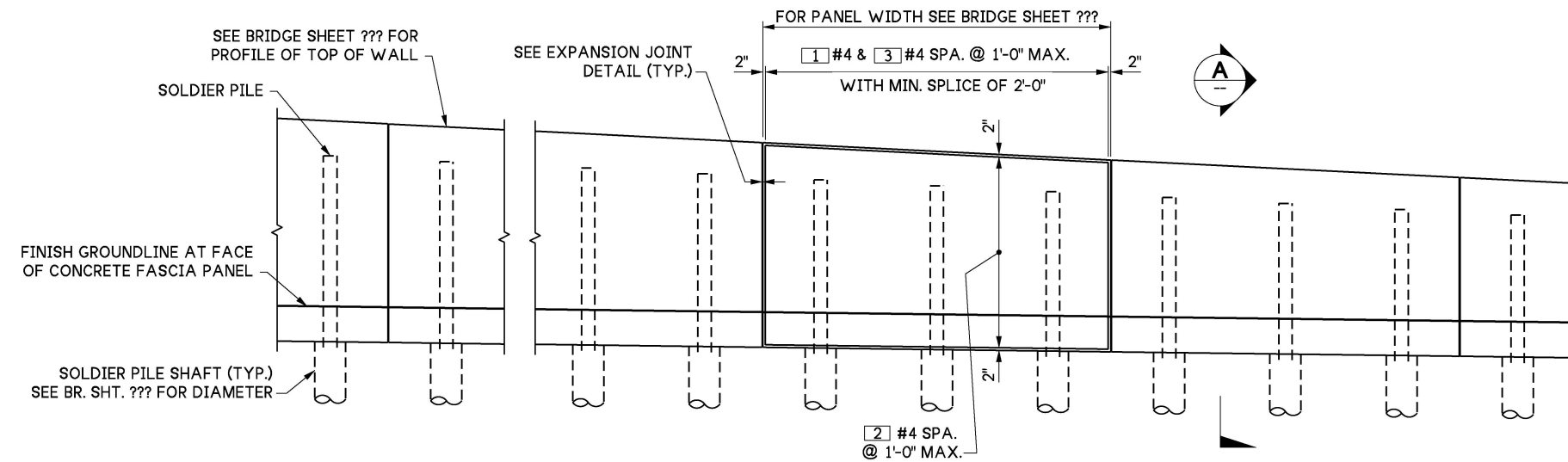
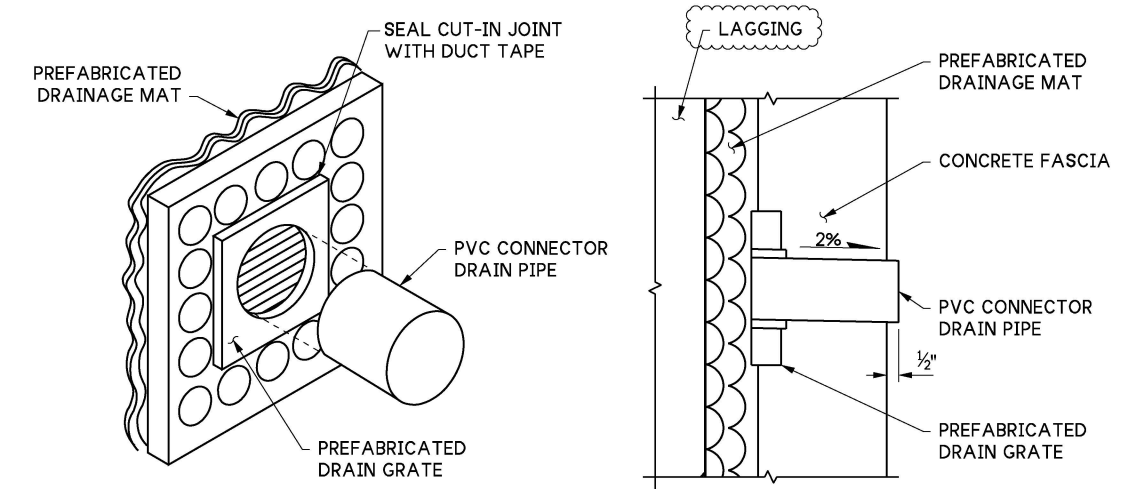


LAST REVISED: 10/16/2025



**PARTIAL WALL ELEVATION**

FOR INFORMATION NOT SHOWN OR NOTED, SEE BRIDGE SHEETS ??? & ???

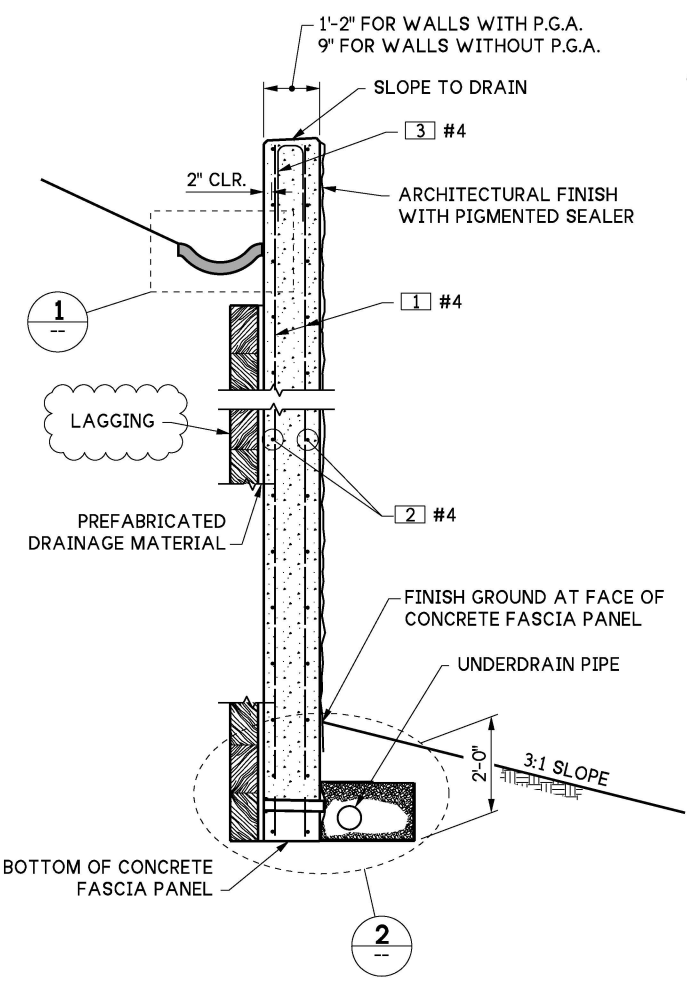


**ISOMETRIC VIEW**

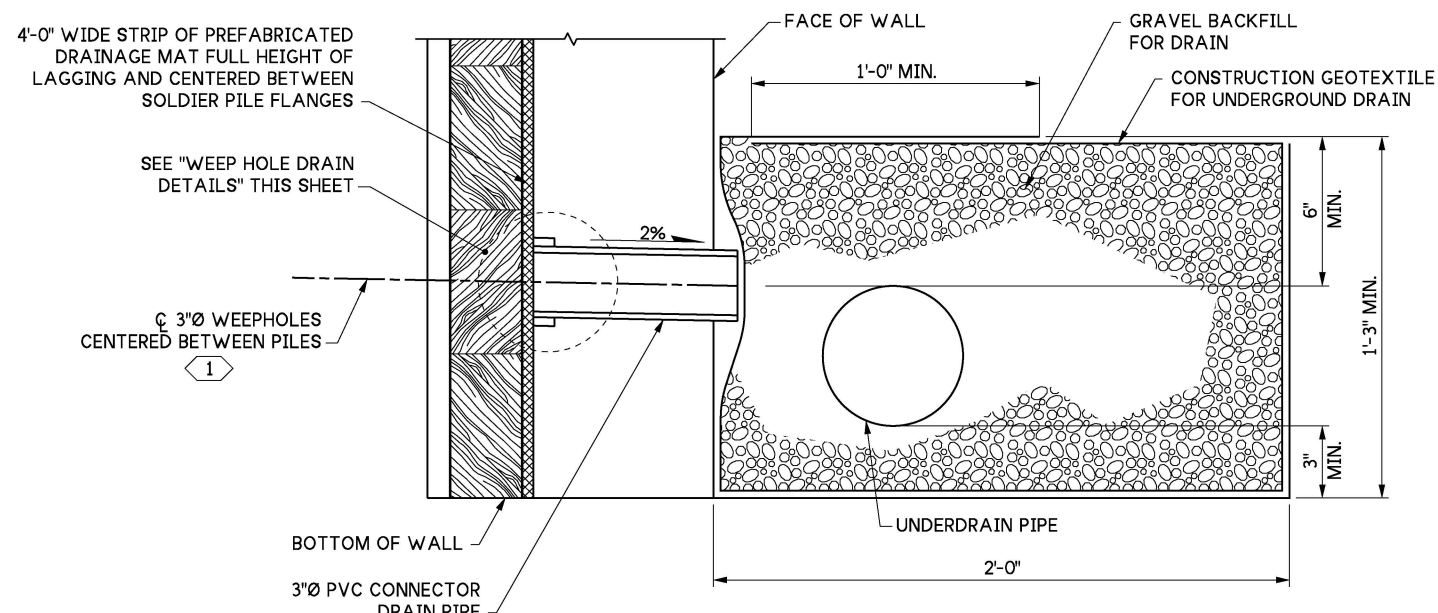
**SECTIONAL VIEW**

**WEEP HOLE DRAIN DETAILS**

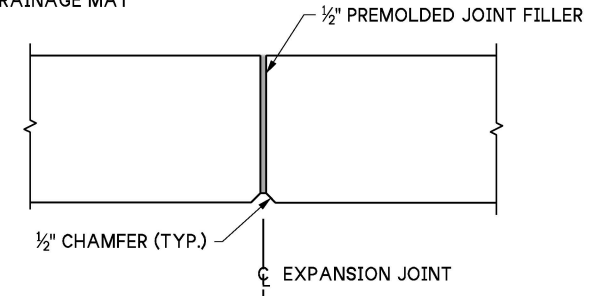
DRAIN GRATE INSTALLATION SHALL NOT DISRUPT PREFABRICATED DRAINAGE MAT



**SECTION A**

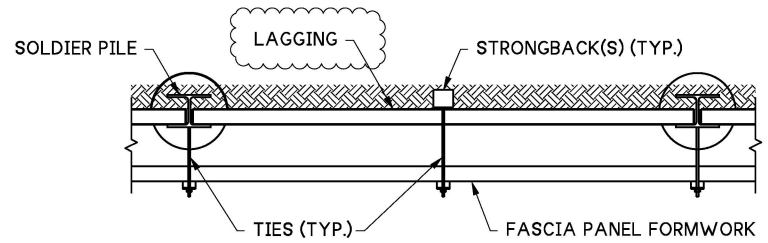


**DETAIL 2**



**EXPANSION JOINT DETAIL**

EXPANSION JOINT SHALL BE LOCATED AS SHOWN ON BRIDGE SHEET ???.

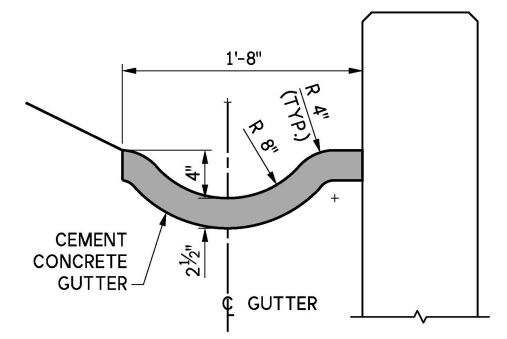


**TYPICAL FASCIA PANEL FORMWORK**

- SEE SECTION 6-16.3(2) FOR FASCIA PANEL FORMING REQUIREMENTS -STRONGBACKS (S) AND TIES SPACED AS REQUIRED FOR FORMING

**NOTES TO DESIGNER:**

- FOR "LAGGING" TERMINOLOGY SHOWN ON THIS SHEET - USE EITHER PERMANENT TIMBER LAGGING OR TEMPORARY LAGGING.
- THE REINFORCEMENT SHOWN ON THIS SHEET IS NOT STANDARD. REINFORCEMENT SIZE AND SPACING NEEDS TO BE DESIGNED FOR THE PROJECT SPECIFIC FACTORED DESIGN LOADS.



**DETAIL 1**

**KEY NOTES:**

- WEEP HOLES LOCATED AT AN EXPANSION JOINT MAY BE ADJUSTED 6" TO 1'-0" AWAY FROM THE EXPANSION JOINT, BUT REMAIN WITHIN THE MIDDLE HALF OF THE PREFABRICATED DRAINAGE MAT.
- FOR INFORMATION NOT SHOWN OR NOTED, SEE TYPICAL SECTION ON BRIDGE SHEET ???.

8.1-A3-5

FILE NAME: 8.1-A3-5_Soldier Pile-Tieback Wall Fascia Panel.dgn				REGION NO. 10	STATE WASH	<p><b>PRELIMINARY PLAN NOT FOR CONSTRUCTION</b></p>	SEE CERTIFICATION SHEET DATE	SEE CERTIFICATION SHEET DATE	STANDARD DESIGN DRAWINGS WALLS	PLAN REF NO.
BRIDGE DES. ENG.	BRIDGE PROJ. ENG.	SUPERVISOR	DESIGNED BY	CHECKED BY	ENTERED BY					PRELIM. PLAN BY
PLOT DATE: 05-Jan-2026 PLOT TIME: 1:38:33 PM PLOTTED BY: deboejak				FILE PATH: pw://projectstore.wsdot.wa.gov:WSDOT/Documents/_HQ/Bridge & Structures/Bridge Design/_Design Standards/Standard Drawings and Details/Walls and Fall Protection/Tieback Walls/_DGN/8.1-A3-5_Soldier Pile-Tieback Wall Fascia Panel.dgn		STAMP BOX		STAMP BOX		SOLDIER PILE / TIEBACK WALL FASCIA PANEL DETAILS