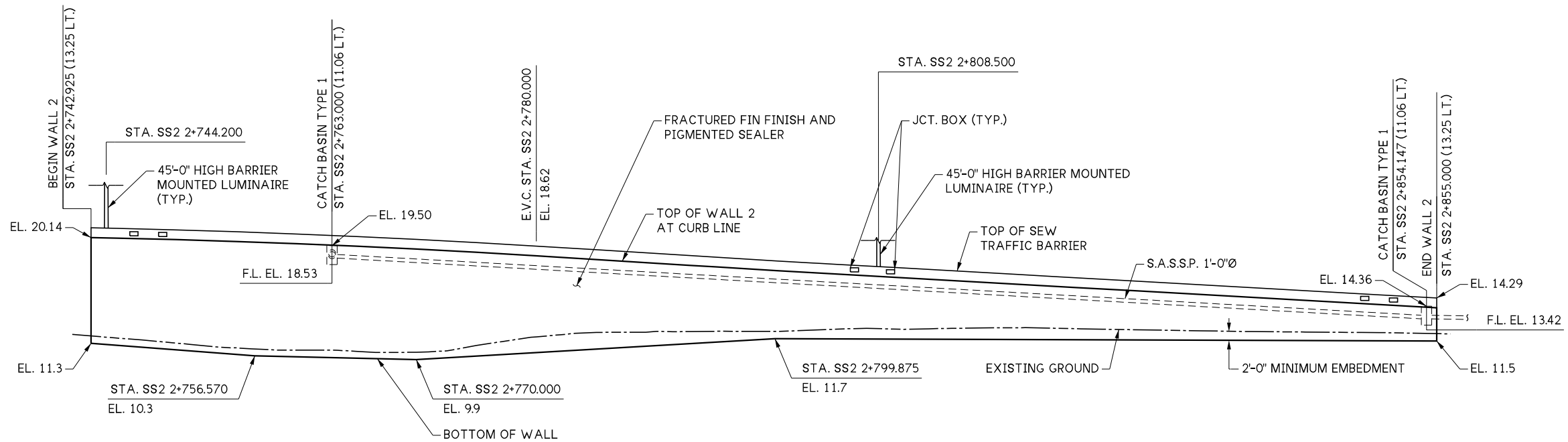


LAST REVISED: 10/14/2025



DEVELOPED ELEVATION

8.1-A2-1

FILE NAME: 8.1-A2-1_SEW Wall Elevation.dgn				REGION NO. 10	STATE WASH	<p>PRELIMINARY PLAN NOT FOR CONSTRUCTION</p>	SEE CERTIFICATION SHEET DATE STAMP BOX	SEE CERTIFICATION SHEET DATE STAMP BOX	STANDARD DESIGN DRAWINGS STRUCTURAL EARTH WALLS		PLAN REF NO.		
BRIDGE DES. ENG.													
BRIDGE PROJ. ENG.													
SUPERVISOR													
DESIGNED BY											SHEET		
CHECKED BY											OF		
ENTERED BY											SHEETS		
PRELIM. PLAN BY													
ARCH. / SPEC.													
REVISION				DATE	BY	SEW WALL ELEVATION							
PLOT DATE: 31-Dec-2025 PLOT TIME: 10:55:44 AM				PLOTTED BY: deboejak		FILE PATH: pw://projectstore.wsdot.wa.gov:WSDOT/Documents/_HQ/Bridge & Structures/Bridge Design/_Design Standards/Standard Drawings and Details/Walls and Fall Protection/Structural Earth Walls/_DGN/8.1-A2-1_SEW Wall Elevation.dgn							