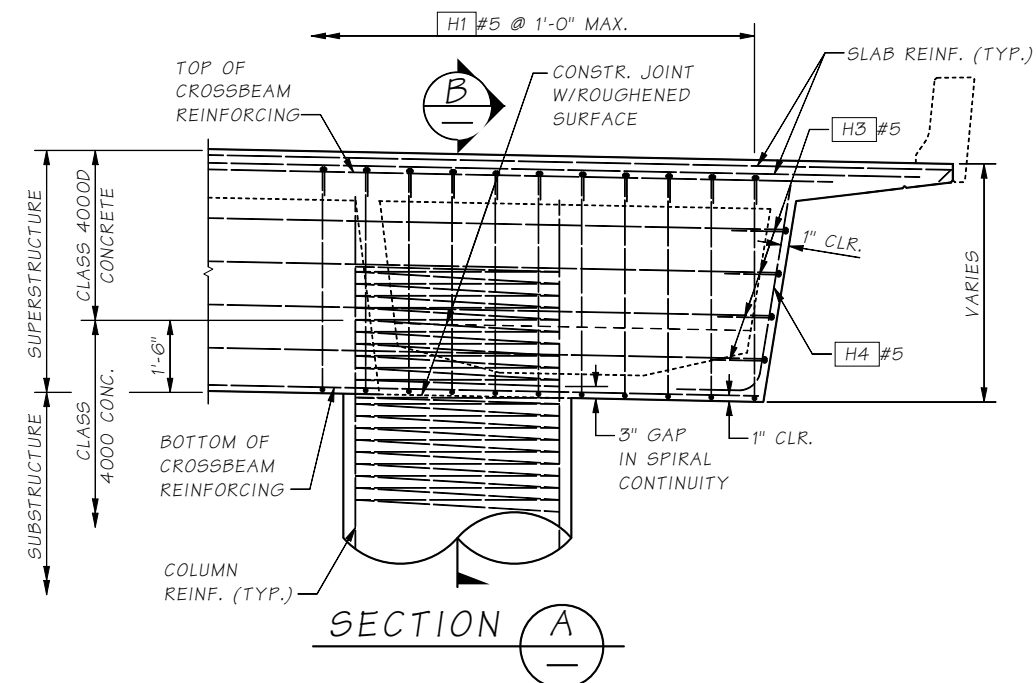


SKEWED

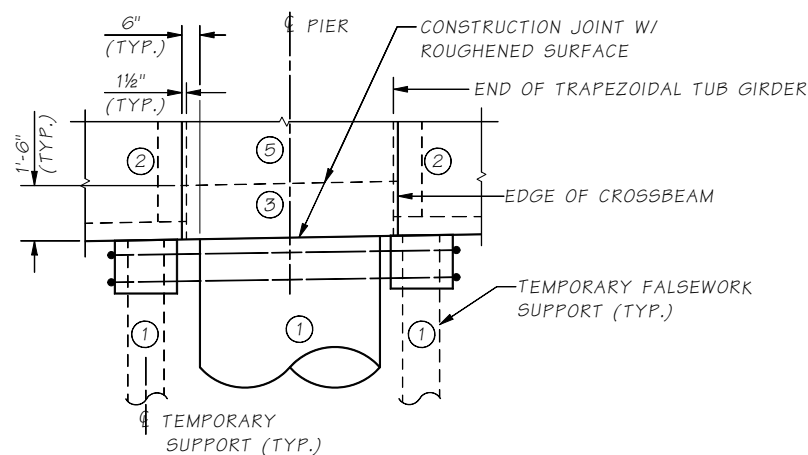
PLAN

NO SKEW

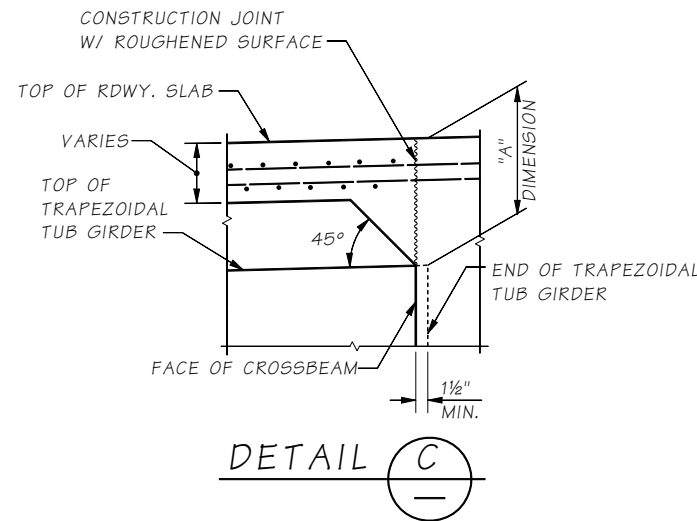
FOR EXTENDED STRAND DETAIL SEE GIRDER SHEET 3.



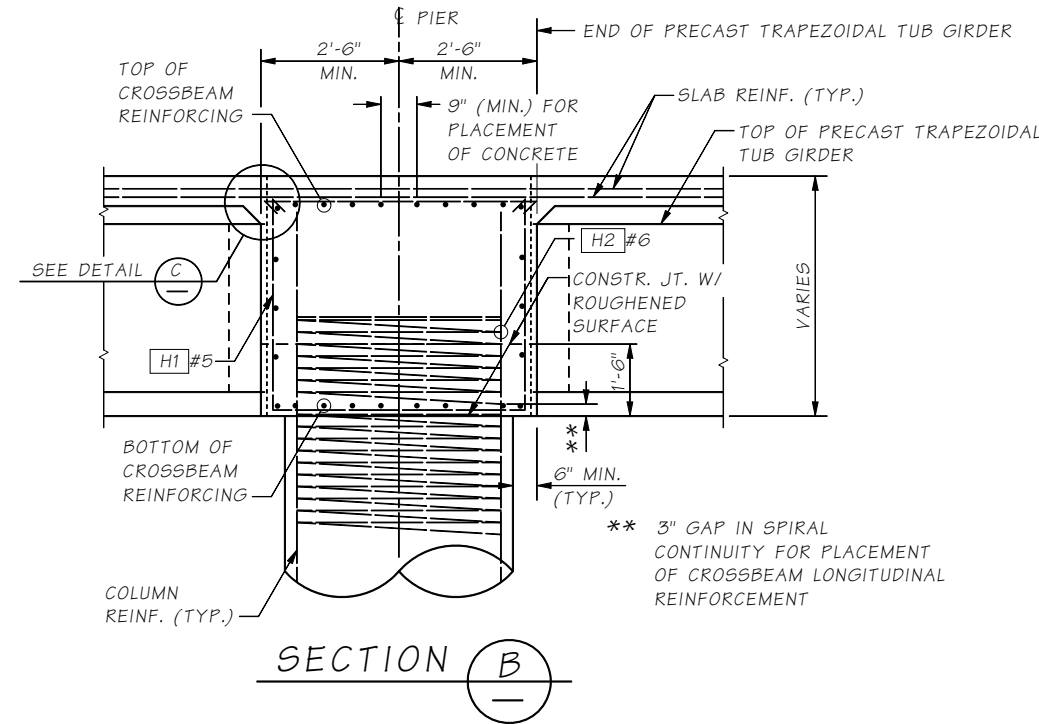
SECTION A



TEMPORARY SUPPORT DETAIL



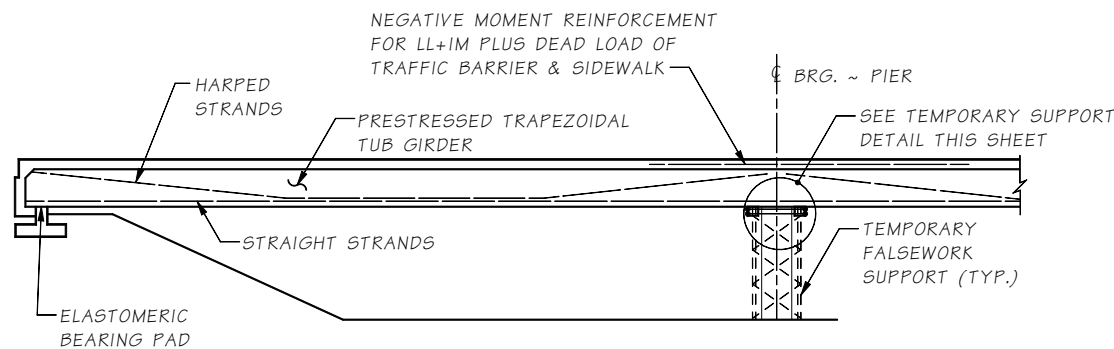
DETAIL C



SECTION B

CONSTRUCTION SEQUENCE

- 1 COLUMN & TEMP. SUPPORT
- 2 PLACE GIRDER ON TEMPORARY SUPPORT
- 3 CAST DIAPHRAGM STAGE 1
- 4 CAST ROADWAY SLAB
- 5 COMPLETE DIAPHRAGM
- 6 REMOVE TEMPORARY SUPPORT



ELEVATION

Last revised on : 7/20/2011

SR FILE NO. SHEET NO.

5.6-A9-6

Bridge Design Engr.	M:\STANDARDS\Girders\Trapezoidal Tubs\TUB RAISED CROSSBEAM.MAN				
Supervisor		REGION NO.	STATE	FED. AID PROJ. NO.	SHEET NO.
Designed By		10	WASH.		TOTAL SHEETS
Checked By		JOB NUMBER			
Detailed By					
Bridge Projects Engr.					
Prelim. Plan By					
Architect/Specialist	DATE	REVISION	BY	APP'D	

BRIDGE AND STRUCTURES OFFICE



STANDARD PRESTRESSED CONCRETE GIRDERS
TUB GIRDER RAISED CROSSBEAM DETAILS

BRIDGE SHEET NO.
SHEET
OF
SHEETS