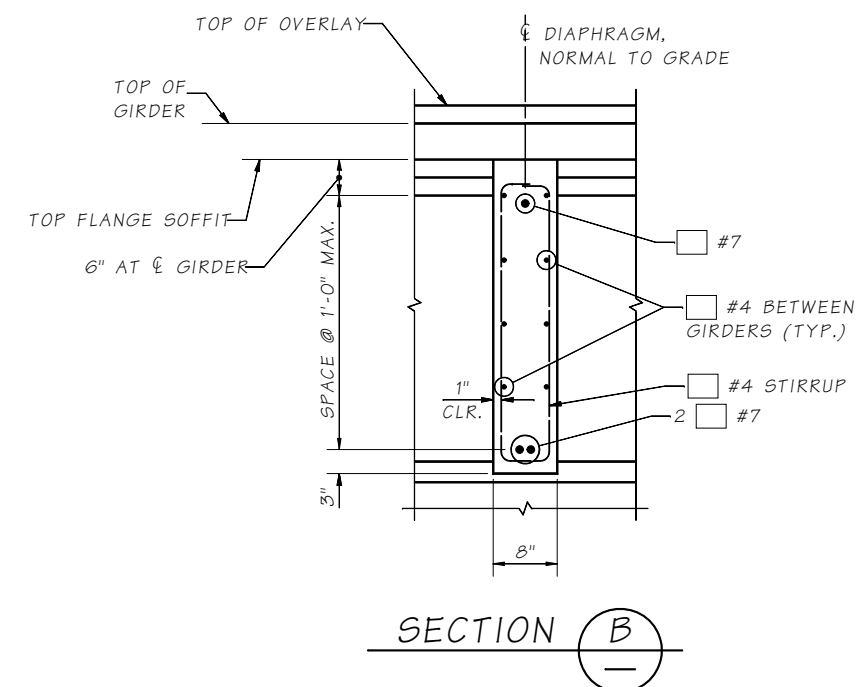
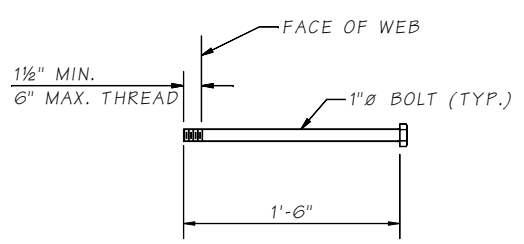


NOTE TO DETAILER:
Revise Details to show correct girder height.



ELEVATION
FULL DEPTH INTERMEDIATE DIAPHRAGM
DIMENSIONS ARE ALONG DIAPHRAGM



ANCHOR DETAIL
ASTM A307

NOTES:

- GIRDERS SHALL BE HELD RIGIDLY IN PLACE WHEN DIAPHRAGMS ARE PLACED.
- IT MAY BE NECESSARY TO THREAD REINFORCING BARS THROUGH HOLES IN GIRDERS PRIOR TO PLACING EXTERIOR GIRDERS.
- LONGITUDINAL DIMENSIONS ARE NORMAL TO SKEW.
- FOR CONCRETE PLACEMENT PROCEDURE SEE "SUPERSTRUCTURE CONSTRUCTION SEQUENCE" SHEET.

Last revised on : 09/20/2018

SR JOB NO. 5.6-A6-18 SHEET

| | | | | | | | | | | |
|-----------------------|---|----------|----|------|--|------------|-------|--------------------|-----------|--------------|
| Bridge Design Engr. | M:\STANDARDS\Girders\WFDG\WFDG_UHPC\WFDG_UHPC FULL INTERMEDIATE DIAPHRAGM.MAN | | | | | REGION NO. | STATE | FED. AID PROJ. NO. | SHEET NO. | TOTAL SHEETS |
| Supervisor | | | | | | 10 | WASH. | | | |
| Designed By | | | | | | JOB NUMBER | | | | |
| Checked By | | | | | | | | | | |
| Detailed By | | | | | | | | | | |
| Bridge Projects Engr. | | | | | | | | | | |
| Prelim. Plan By | | | | | | | | | | |
| Architect/Specialist | DATE | REVISION | BY | APPD | | | | | | |

BRIDGE AND STRUCTURES OFFICE



WF DECK GIRDER (UHPC)
FULL DEPTH INTERMEDIATE DIAPHRAGM

BRIDGE SHEET NO.
SHEET
OF
SHEETS