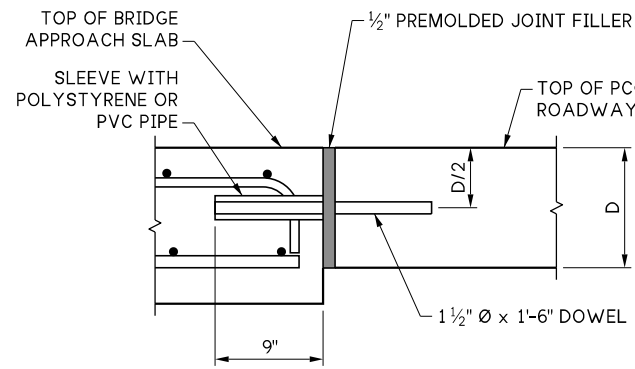


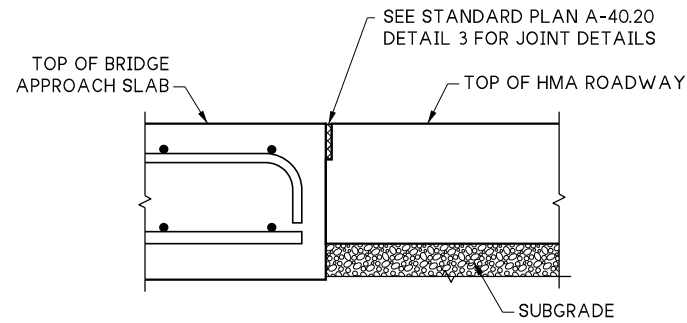
LAST REVISED: 08/06/2024



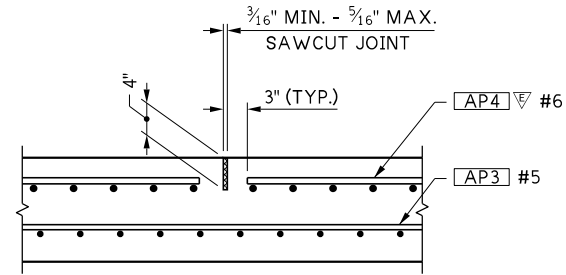
NOTE:
Add note to dowels for retrofit if there is existing PCCP.

PCCP ROADWAY DOWEL BAR DETAIL

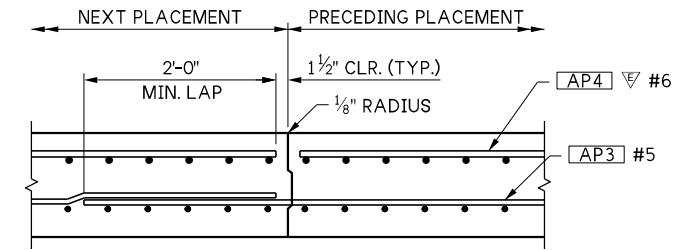
PCCP ROADWAY DOWELS SHALL BE INSTALLED PARALLEL TO THE ROADWAY AND EACH OTHER



HMA ROADWAY JOINT DETAIL

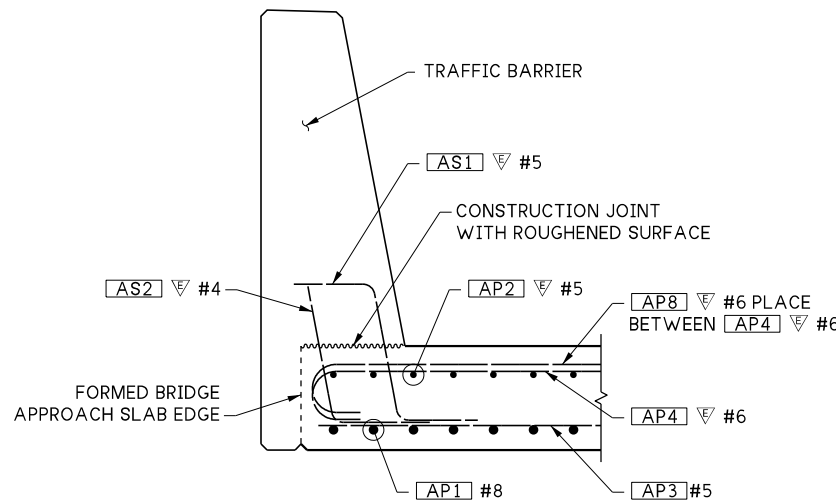


LONGITUDINAL JOINT DETAIL

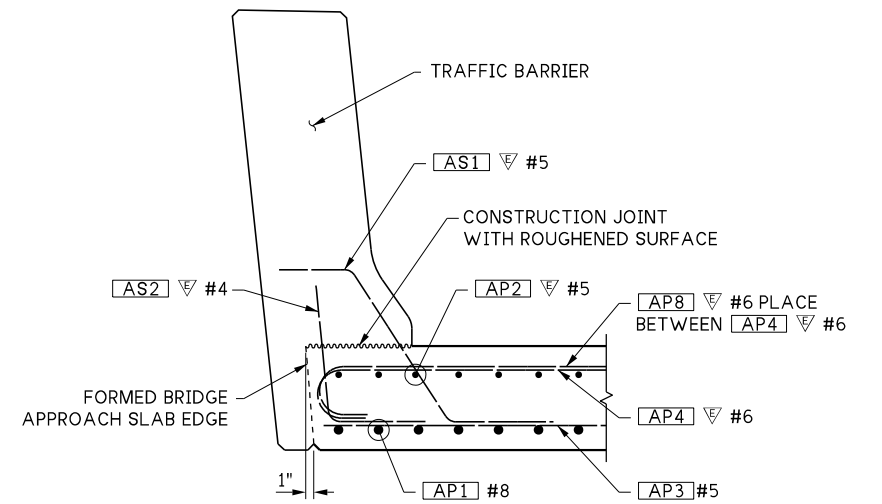


ALTERNATE LONGITUDINAL JOINT DETAIL

EDGE PRECEDING PLACEMENT ONLY WITH 1/8" RADIUS.

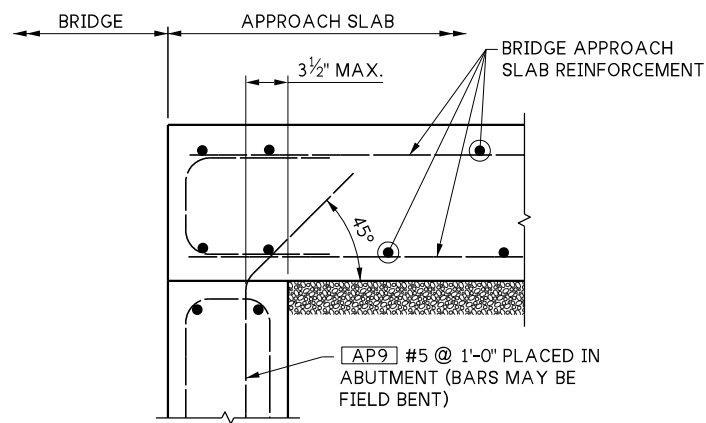


SECTION A
1



SECTION A
1

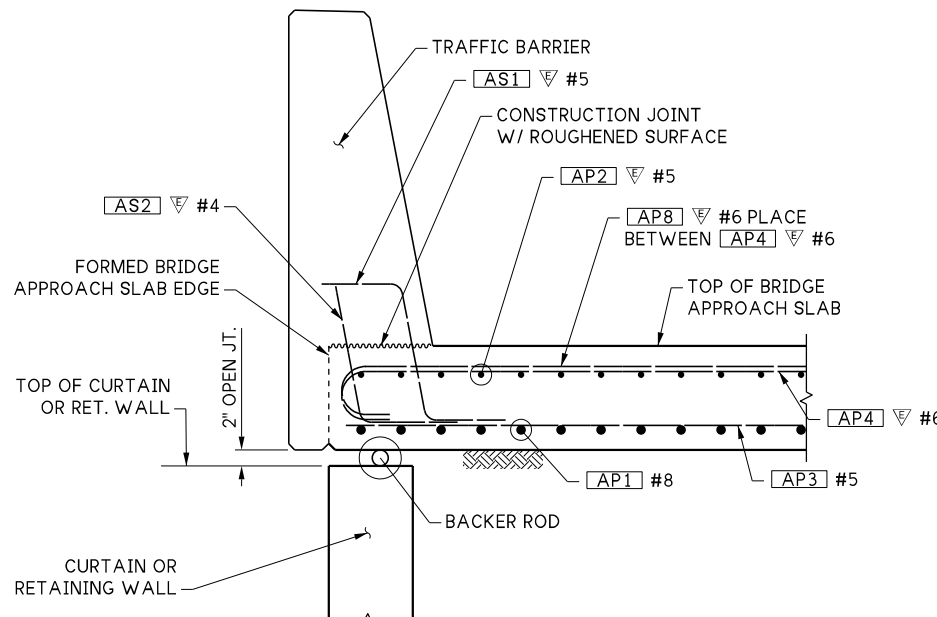
Eliminate traffic barrier type that will not be used.



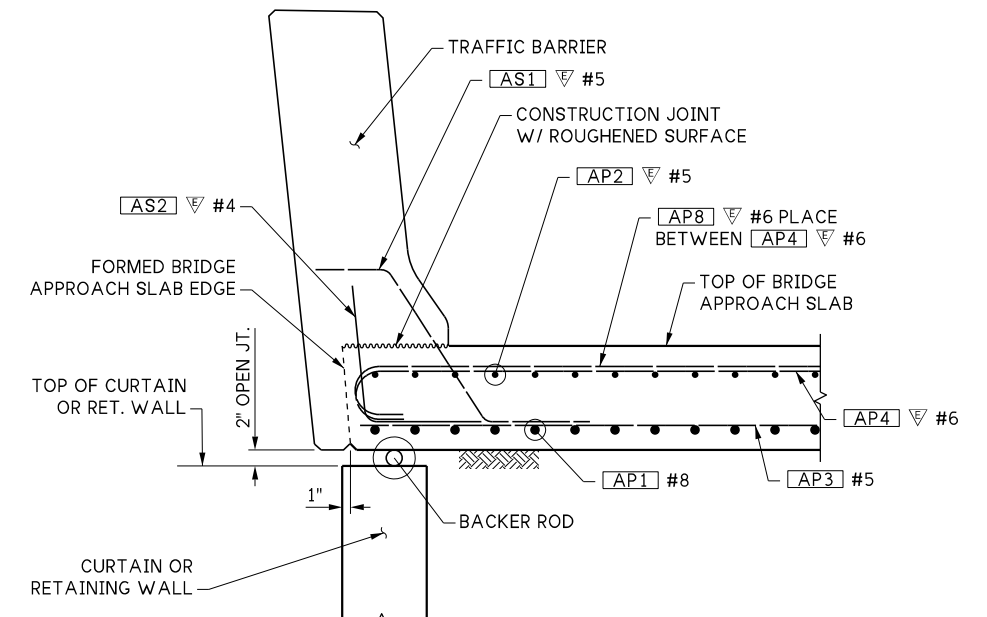
ANCHOR DETAIL

L type abutment

NOTE:
Designer shall add construction joint with class 2 finish callout to abutment sheets.



SECTION A
1



SECTION A
1

10.6-A 1-2

FILE NAME	10.6-A 1-2_Approach Slab Details 2 of 3.dgn		
BRIDGE DES. ENG.			
BRIDGE PROJ. ENG.			
SUPERVISOR			
DESIGNED BY			
CHECKED BY			
ENTERED BY			
PRELIM. PLAN BY			
ARCH. / SPEC.			
	REVISION	DATE	BY
PLOT DATE:	08-Oct-2025	PLOT TIME:	9:21:23 AM
PLOTTED BY:	deboejak	FILE PATH:	pw://projectstore.wsdot.wa.gov:WSDOT/Documents/_HQ/Bridge & Structures/Bridge Design/_Design Standards/Standard Drawings and Details/Approach Slabs/_DGN/10.6-A 1-2_Approach Slab Details 2 of 3.dgn

REGION NO.	STATE
10	WASH
JOB NUMBER	
CONTRACT NO.	

WSDOT

PRELIMINARY PLAN
NOT FOR CONSTRUCTION

SEE CERTIFICATION SHEET DATE	SEE CERTIFICATION SHEET DATE
STAMP BOX	STAMP BOX

STANDARD DESIGN DRAWINGS BRIDGE APPROACH SLAB
BRIDGE APPROACH SLAB DETAILS 2 OF 3

PLAN REF NO
SHEET OF SHEETS