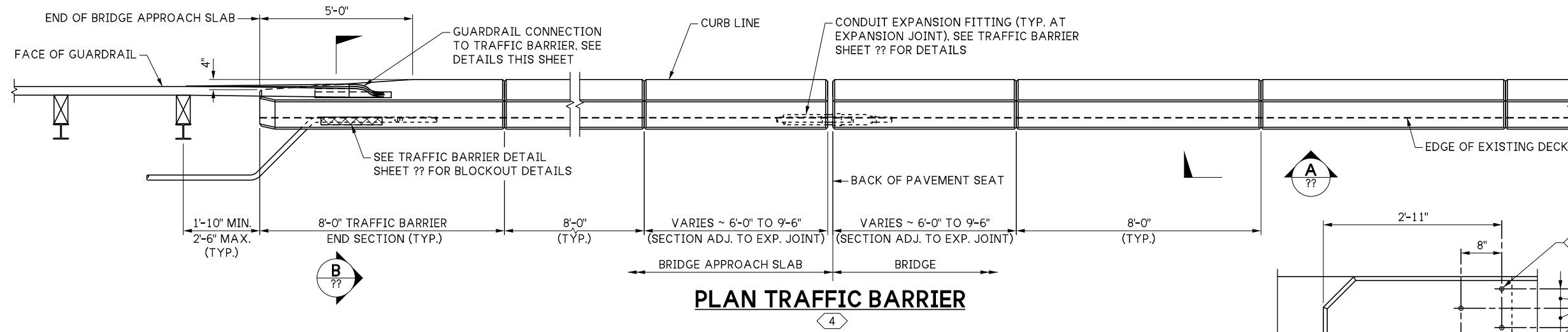
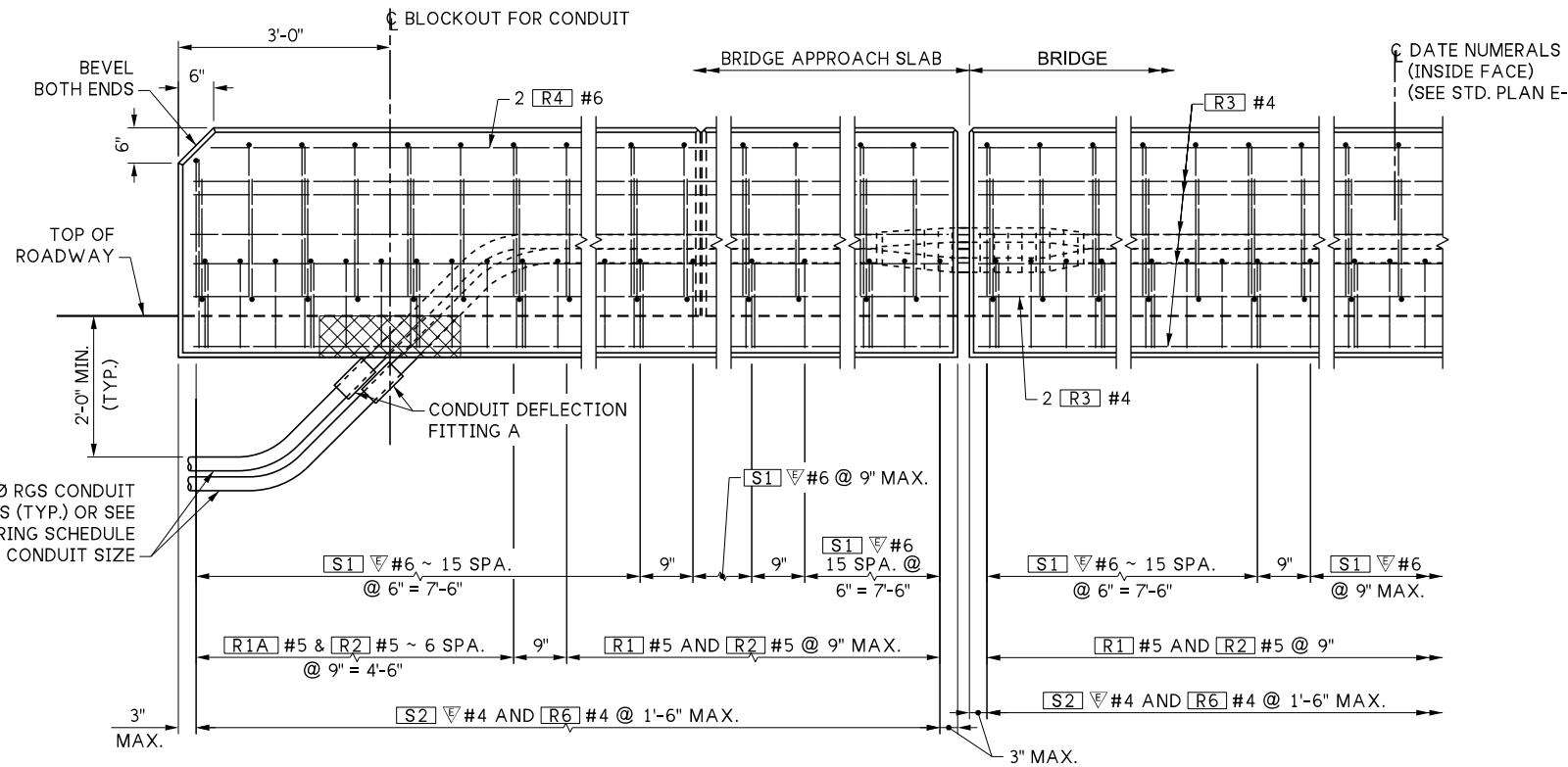
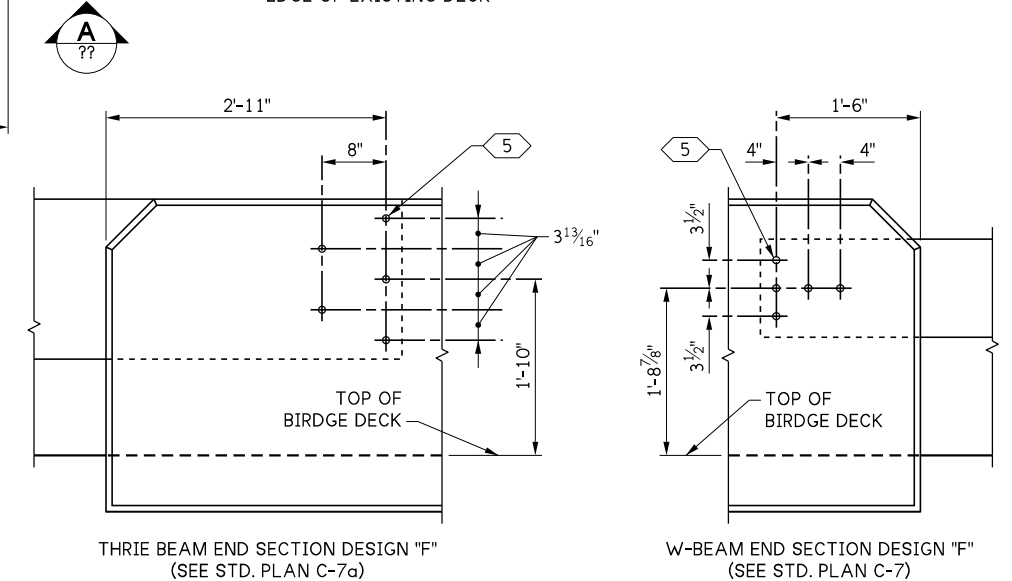


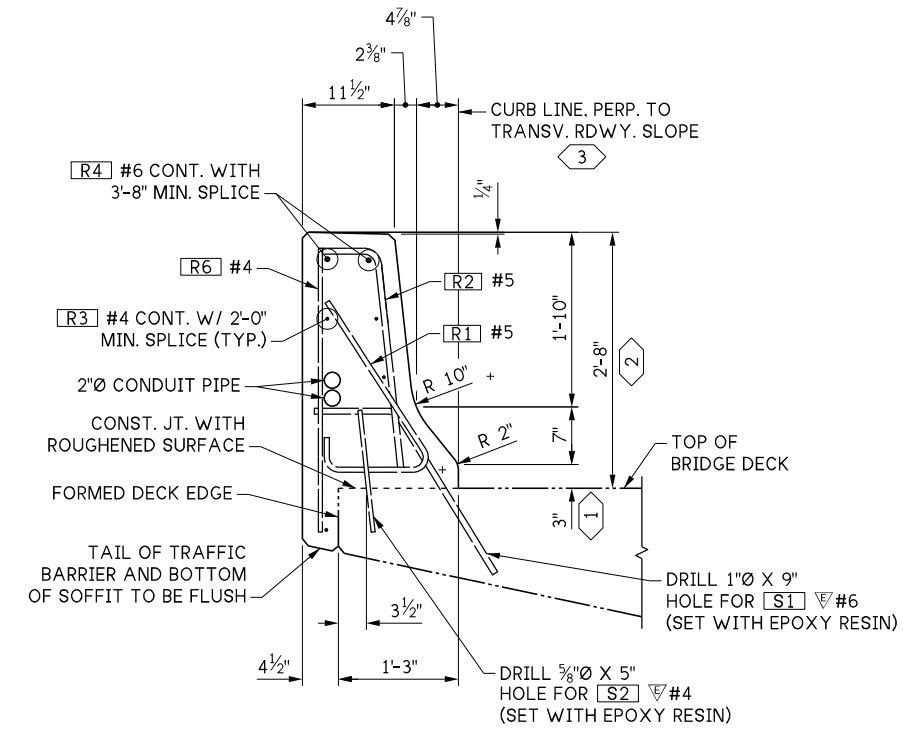
LAST REVISED: 09/04/2025



**NW REGION:**  
 TERMINATE EACH CONDUIT PIPE AT SEPARATE TYPE 1 JUNCTION BOXES OFF END OF BRIDGE AS SHOWN ON LAYOUT.



**OUTSIDE ELEVATION TRAFFIC BARRIER - GUARDRAIL CONNECTION**  
 (WHERE SHOWN ON LAYOUT)



**KEY NOTES:**

- 1 TOE HEIGHT MAY VARY, 2" MIN. TO 6" MAX.
- 2 HEIGHT MAY VARY IF REQUIRED TO PROVIDE A PROFILE PLEASING TO THE EYE.
- 3 FOR TRANSVERSE BRIDGE DECK SLOPES GREATER THAN 8%, CHANGE THE NOTE TO THE FOLLOWING: FOR THE LOW SIDE OF THE BRIDGE OR MEDIAN BARRIER - "PERPENDICULAR TO 8% TRANSVERSE BRIDGE DECK SLOPE" FOR THE HIGH SIDE OF THE BRIDGE BARRIER - "PERPENDICULAR TO TRANSVERSE BRIDGE DECK SLOPE".
- 4 BARRIER CONTINUOUS BETWEEN ROADWAY EXPANSION JOINTS. CONSTRUCTION JOINT WITH SHEAR KEYS ARE PERMISSIBLE AT DUMMY JOINT LOCATIONS. FORM JOINTS BETWEEN DUMMY JOINTS SHALL NOT BE PERMITTED.
- 5 PROVIDE 5 - 7/8" Ø ROCKET/KOHLER F-50, LANCASTER MALLEABLE, OR DAYTON/RICHMOND F-62 FLARED THIN SLAB FERRULE INSERTS OR APPROVED EQUAL (TYP.). RESIN-BONDED ANCHORS MAY BE SUBSTITUTED.

**NOTES TO DESIGNER:**

- 1. IF TRANSVERSE BRIDGE DECK SLOPE IS GREATER THAN 8%, S1 AND S2 BAR BENDS NEED TO BE MODIFIED TO ACCOUNT FOR THE DIFFERENCE BETWEEN THE ACTUAL SLOPE AND 8% ON THE LOW SIDE ONLY OF THE BRIDGE OR MEDIAN BARRIER. THE BARRIER GEOMETRY NEEDS TO BE CHECKED ALSO.
- 2. THE NON-APPLICABLE TEXT SHOULD BE REMOVED FROM THE ACTUAL BRIDGE PLANS.
- 3. REMOVE BRIDGE APPROACH SLAB DETAILS IF NOT USED.

10.4-A2-1

FILE NAME: 10.4-A2-1_Traffic Barrier Shape F Rehab 1 of 3.dgn				REGION NO.: 10	STATE: WASH	STANDARD TRAFFIC BARRIERS	PLAN REF NO.
BRIDGE DES. ENG.				JOB NUMBER			
BRIDGE PROJ. ENG.							
SUPERVISOR							
DESIGNED BY							
CHECKED BY							
ENTERED BY							
PRELIM. PLAN BY							
ARCH. / SPEC.							
PLOT DATE: 07-Oct-2025 PLOT TIME: 1:27:06 PM PLOTTED BY: deboejak				FILE PATH: pw://projectstore.wsdot.wa.gov:WSDOT/Documents/_HQ/Bridge & Structures/Bridge Design/_Design Standards/Standard Drawings and Details/Barriers and Railings/Barrier and Rail Retrofit/_DGN/10.4-A2-1_Traffic Barrier Shape F Rehab 1 of 3.dgn		TRAFFIC BARRIER - SHAPE F REHABILITATION - DETAILS 1 OF 3	



SEE CERTIFICATION SHEET DATE  
 STAMP BOX