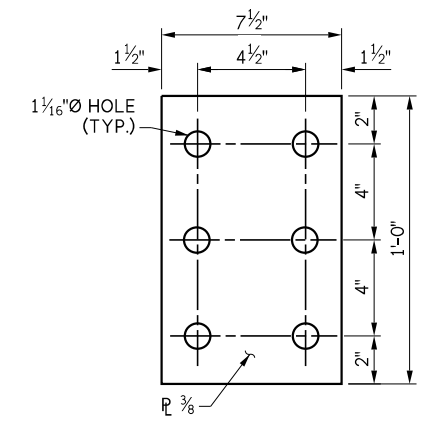
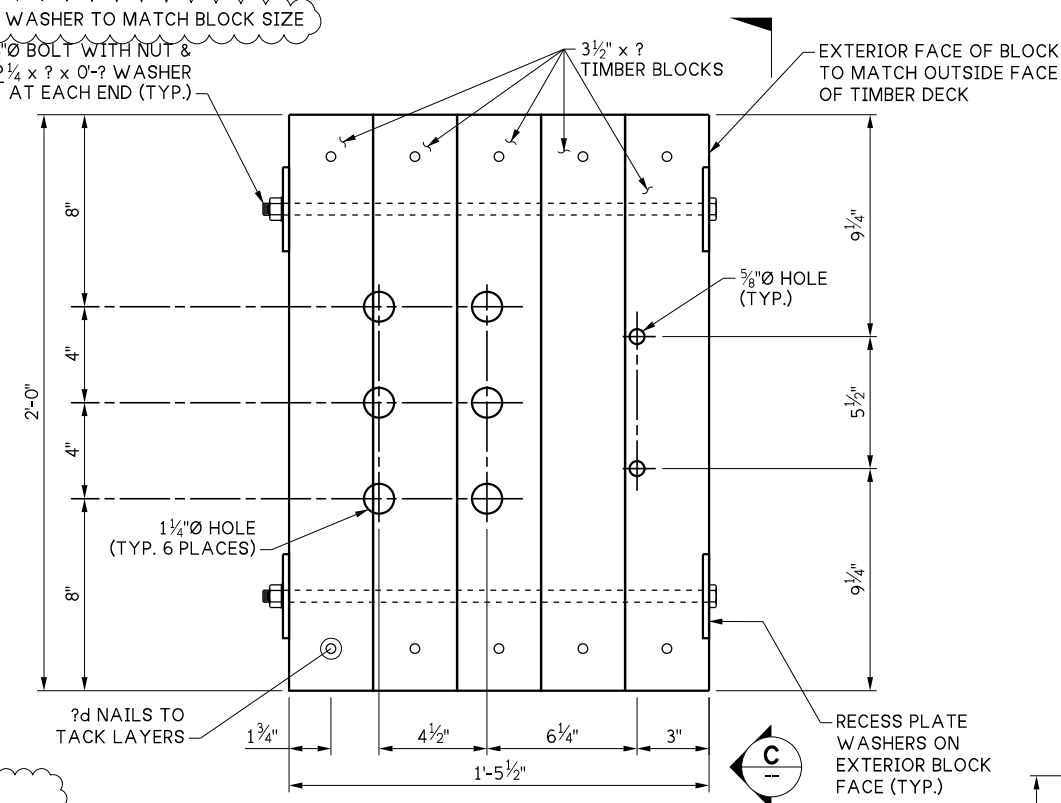
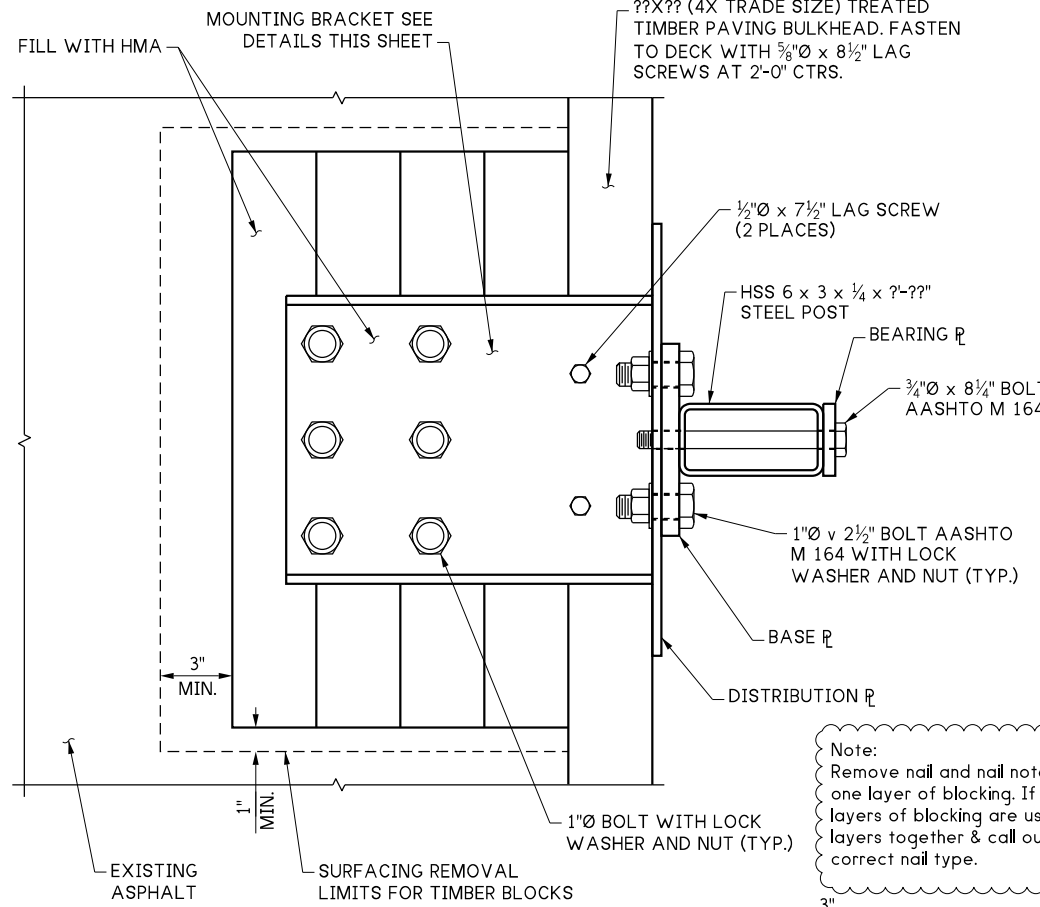


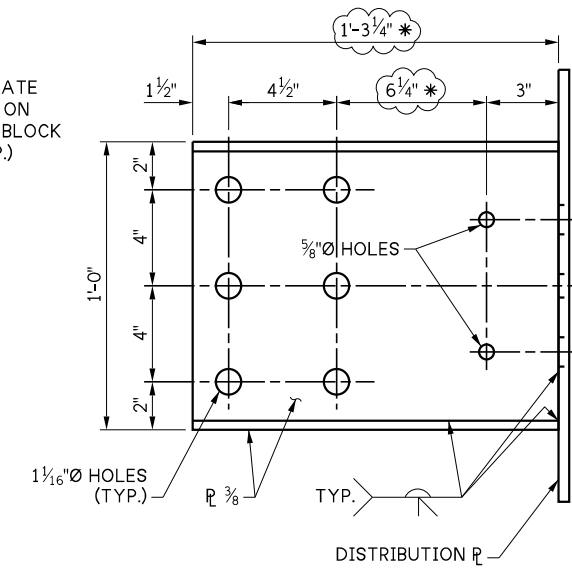
LAST REVISED: 08/30/2024



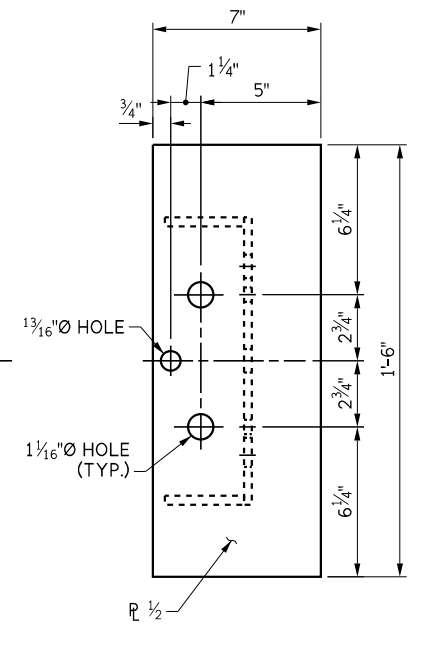
**BACKING PLATE DETAIL**

Note: Remove nail and nail note if only one layer of blocking. If multiple layers of blocking are used nail layers together & call out correct nail type.

**PLAN TREATED TIMBER BLOCKING**  
 THE CONTRACTOR SHALL ASSEMBLE AND TRIM THE BLOCK ASSEMBLIES SUCH THAT THE TOP OF THE VERTICAL WEB OF THE MOUNTING BRACKET SHALL BE 1/2" BELOW WEARING COURSE SURFACE.

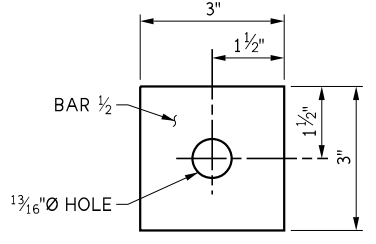


**PLAN MOUNTING BRACKET**

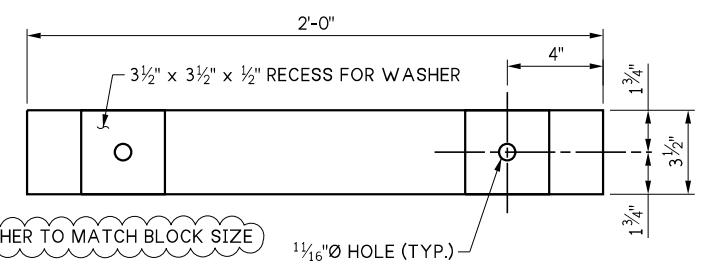


**DISTRIBUTION PLATE**

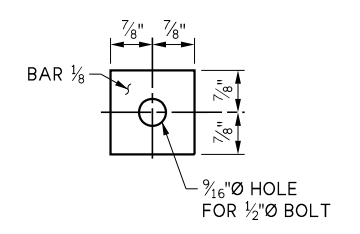
**VIEW A**  
 (WATER BARRIER NOT SHOWN)



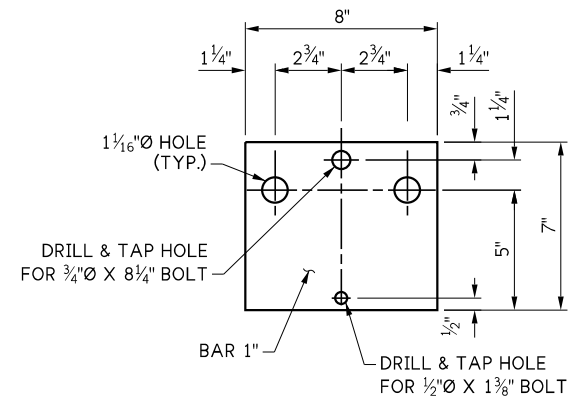
**BEARING PLATE DETAIL**



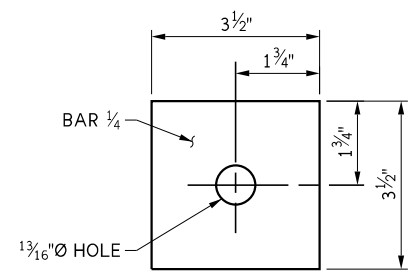
**VIEW C**



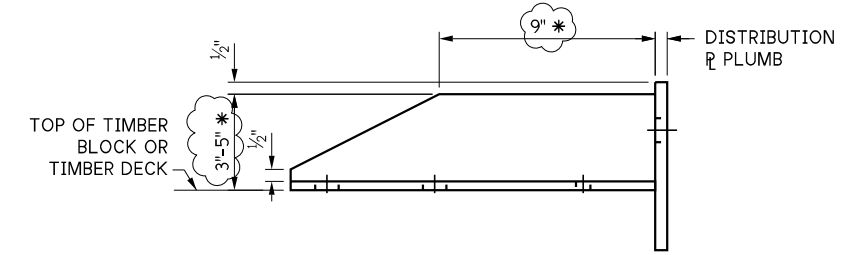
**HSS TUBE SQUARE WASHER DETAIL**



**BASE PLATE DETAIL**



**TREATED TIMBER SQUARE WASHER DETAIL**



**ELEVATION MOUNTING BRACKET**

\* DESIGNER TO DETERMINE BRACKET PLAN LENGTH AND ADJUST DETAILS ACCORDINGLY.

10.4-A 1-5

FILE NAME	10.4-A 1-5_WP Thrie Beam Retrofit SL1 - Details 2 of 2.dgn	REGION NO.	10	STATE	WASH		STANDARD DESIGN DRAWINGS RAIL RETROFITS	PLAN REF NO.
BRIDGE DES. ENG.		JOB NUMBER						SHEET
BRIDGE PROJ. ENG.		CONTRACT NO.				PRELIMINARY PLAN NOT FOR CONSTRUCTION	WP THRIE BEAM RETROFIT SL1 - DETAILS 2 OF 2	OF
SUPERVISOR								SHEETS
DESIGNED BY						SEE CERTIFICATION SHEET DATE		
CHECKED BY								
ENTERED BY								
PRELIM. PLAN BY								
ARCH. / SPEC.								
REVISION		DATE		BY				
PLOT DATE: 07-Oct-2025	PLOT TIME: 12:38:46 PM	PLOTTED BY: deboejak	FILE PATH: pw://projectstore.wsdot.wa.gov:WSDOT/Documents/_HQ/Bridge & Structures/Bridge Design/_Design Standards/Standard Drawings and Details/Barriers and Railings/Barrier and Rail Retrofit/_DGN/10.4-A 1-5_WP Thrie Beam Retrofit SL1 - Details 2 of 2.dgn					