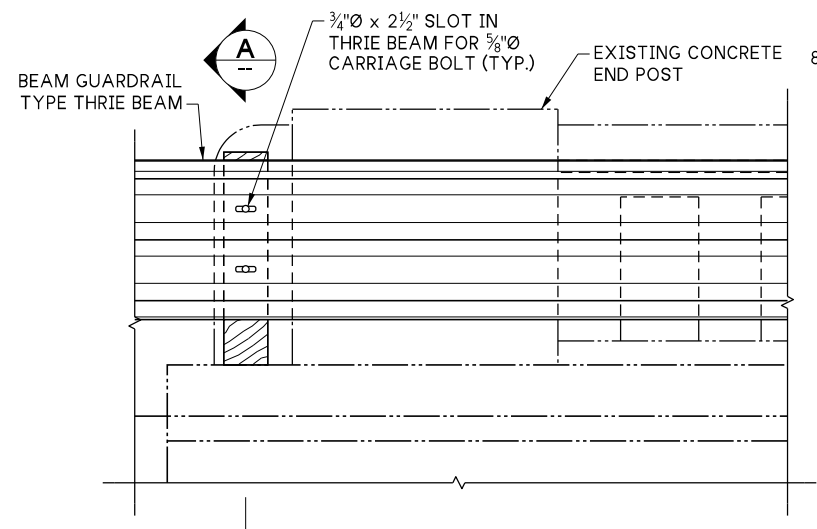
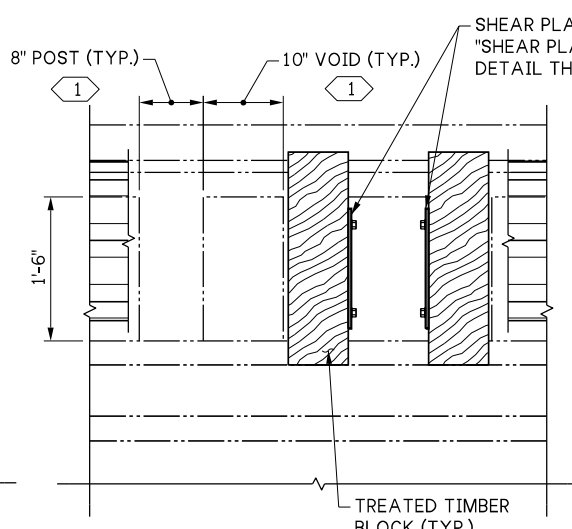


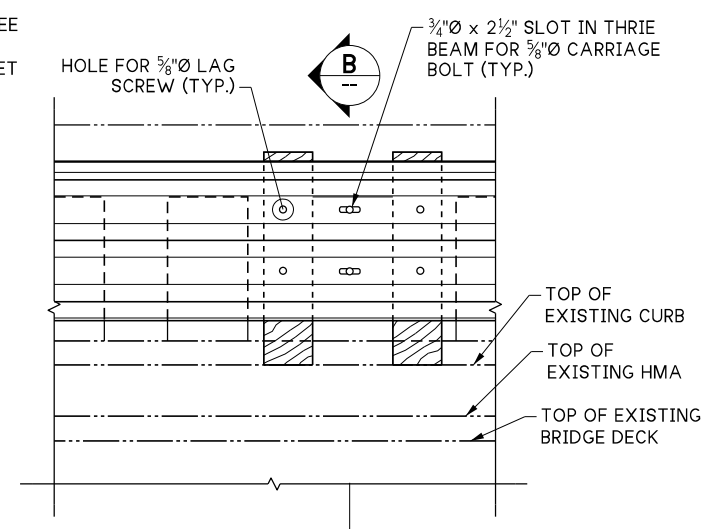
LAST REVISED: 06/10/2025



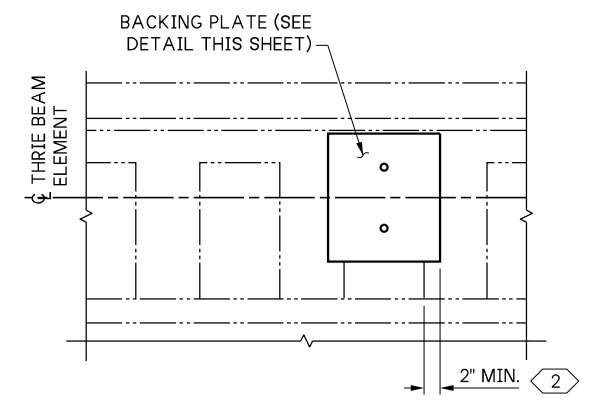
**ELEVATION  
RAIL END POST**



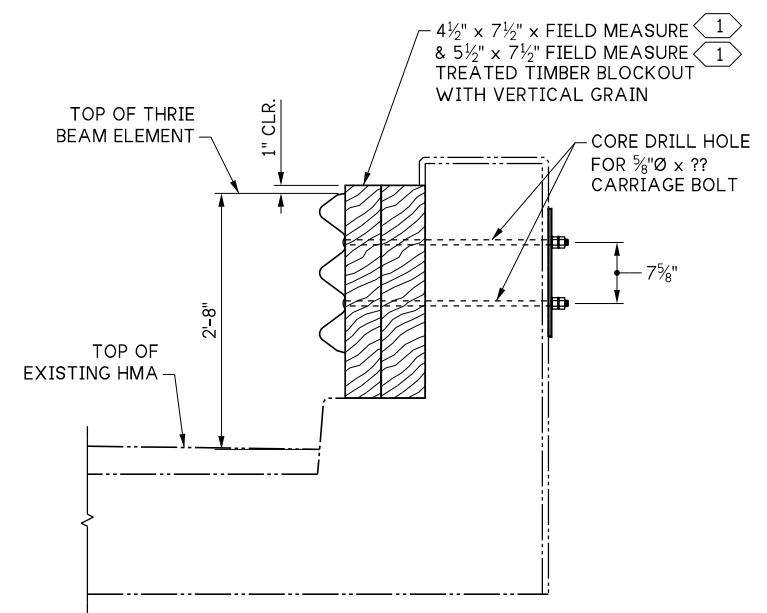
**BALUSTER POST  
INSIDE ELEVATION**  
THRIE BEAM NOT SHOWN FOR CLARITY



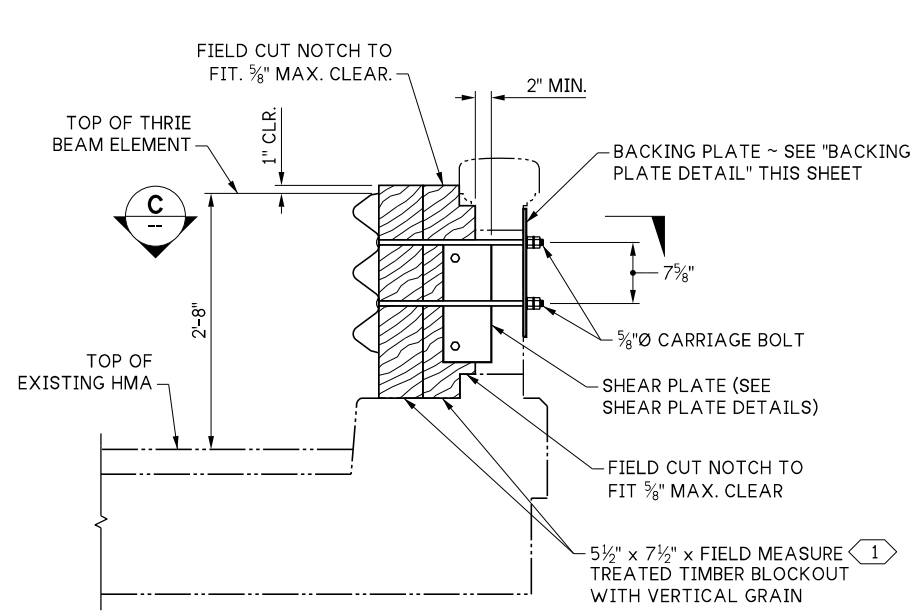
**BALUSTER POST  
INSIDE ELEVATION**



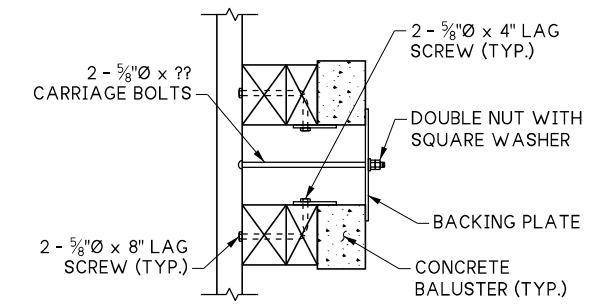
**BALUSTER POST  
OUTSIDE ELEVATION**  
THRIE BEAM NOT SHOWN FOR CLARITY



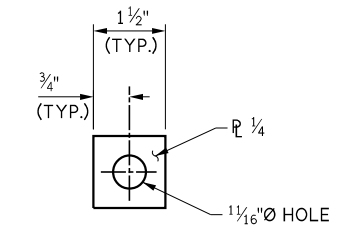
**SECTION A**  
REQUIRED AT ??  
LOCATIONS



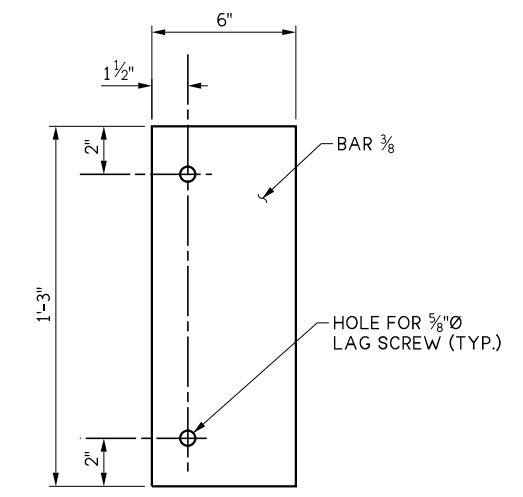
**SECTION B**  
?? ASSEMBLIES



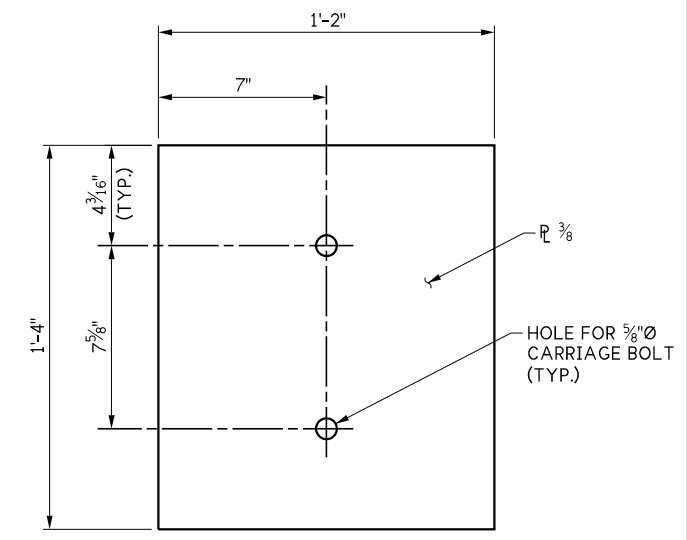
**SECTION C**



**SQUARE WASHER**



**SHEAR PLATE**



**BACKING PLATE DETAIL**

**KEY NOTES:**

- 1 SEE GENERAL NOTE NO. 5 ON BRIDGE SHEET 1
- 2 ADJUST BLOCKOUT SPACING AS NEEDED TO MAINTAIN EDGE CLEARANCE.

10.4-A 1-1

FILE NAME	10.4-A 1-1_Thrie Beam Retrofit Concrete Baluster.dgn			
BRIDGE DES. ENG.				
BRIDGE PROJ. ENG.				
SUPERVISOR				
DESIGNED BY				
CHECKED BY				
ENTERED BY				
PRELIM. PLAN BY				
ARCH. / SPEC.				
	REVISION	DATE	BY	

REGION NO.	STATE
10	WASH
JOB NUMBER	
CONTRACT NO.	

**WSDOT**

PRELIMINARY PLAN  
NOT FOR CONSTRUCTION

SEE CERTIFICATION SHEET DATE	SEE CERTIFICATION SHEET DATE
STAMP BOX	STAMP BOX

STANDARD DESIGN DRAWINGS RAIL RETROFITS
THRIE BEAM RETROFIT CONCRETE BALUSTER

PLAN REF NO
SHEET
OF
SHEETS