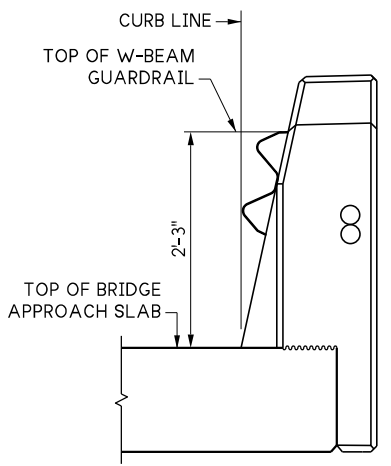
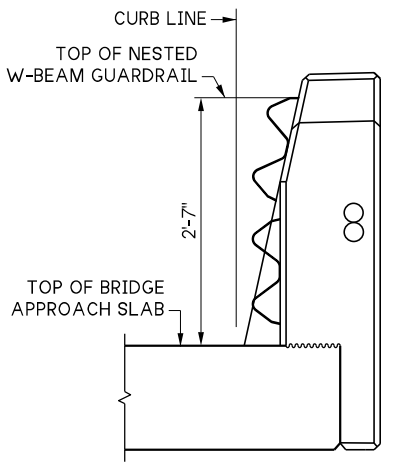


LAST REVISED: 06/25/2025



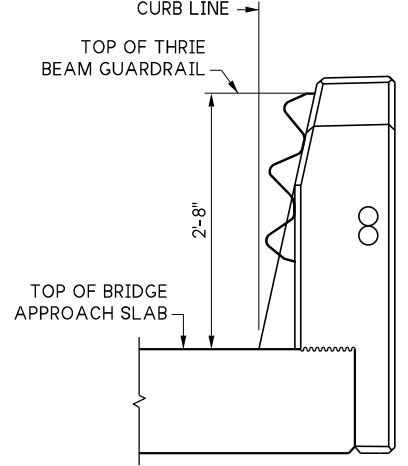
**END VIEW**

W-BEAM SHOWN WITH "D" CONNECTION OR "F" CONNECTION (SEE STD. PLAN C-7).



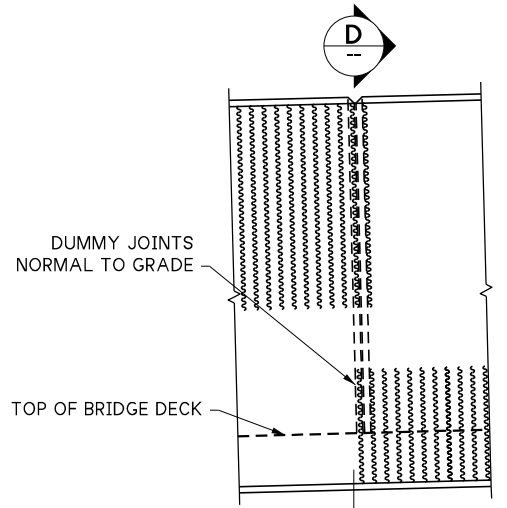
**END VIEW**

NESTED W-BEAM WITH RUBRAIL SHOWN (SEE STD. PLAN C-25.18-04 AND C-7a) BARRIER TOE TAPER NOT REQUIRED.

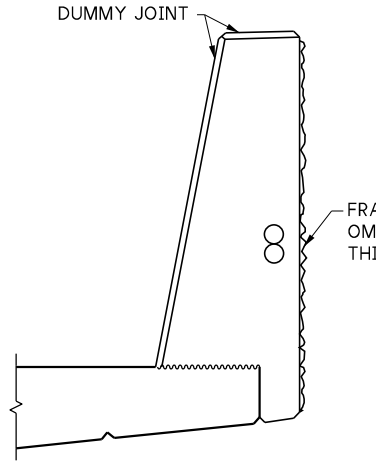


**END VIEW**

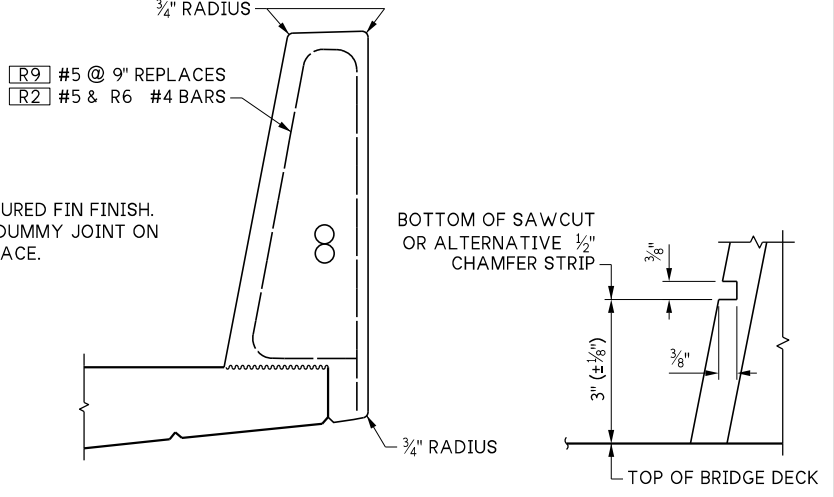
THRIE BEAM SHOWN WITH "D" CONNECTION OR "F" CONNECTION (SEE STD. PLAN C-7a)



**VIEW A**



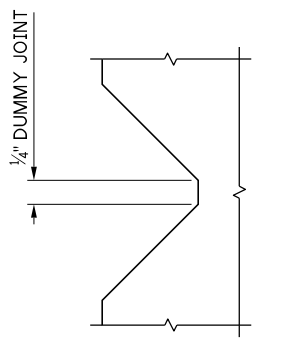
**SECTION D**



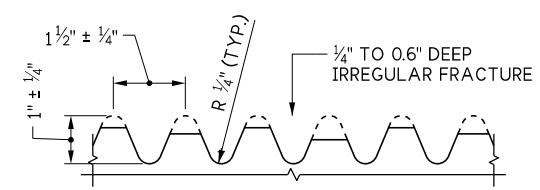
**SLIPFORM ALTERNATE**

SEE "TYPICAL SECTION - TRAFFIC BARRIER" FOR ADDITIONAL DETAILS.

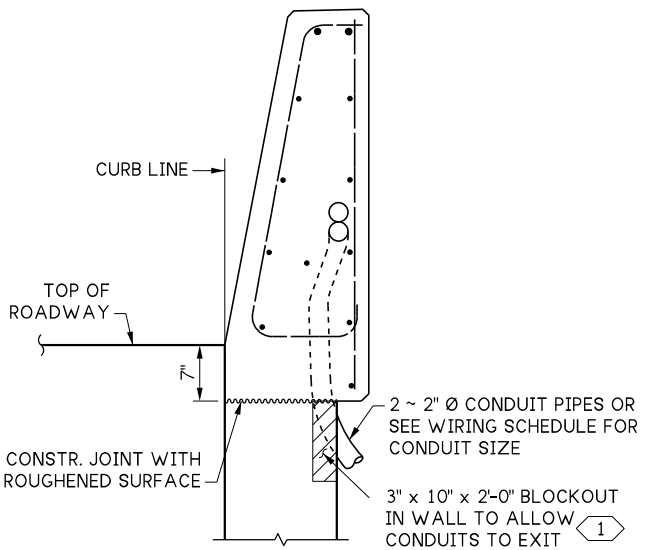
**MAX. PAVEMENT MARK DETAIL**



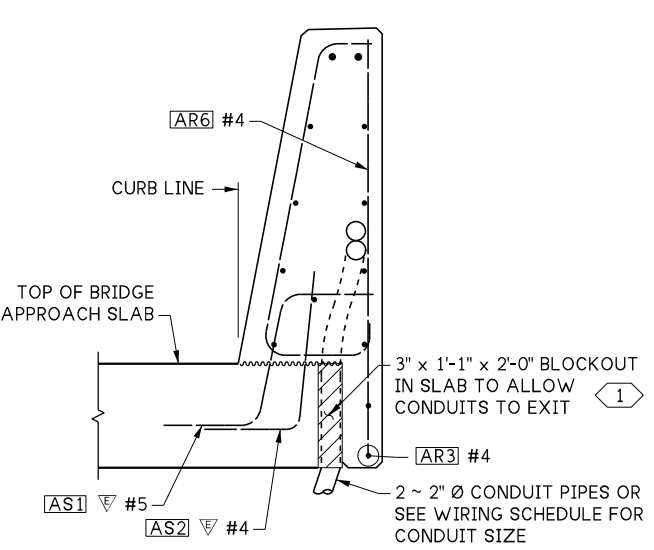
**DUMMY JOINT DETAIL**



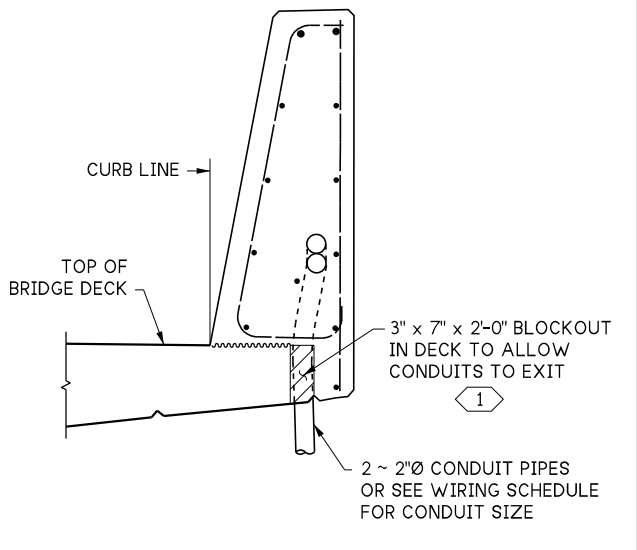
**FRACTURED FIN FINISH**



**SECTION B**



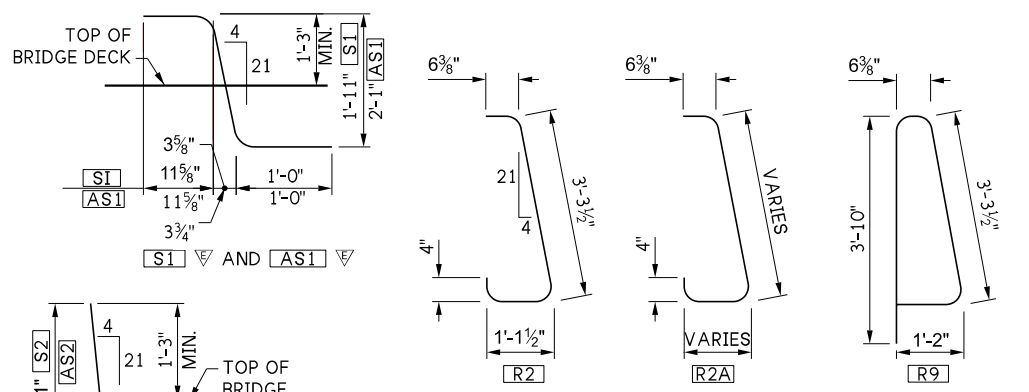
**SECTION B**



**SECTION B**

**BENDING DIAGRAM**

ALL DIMENSIONS ARE OUT TO OUT



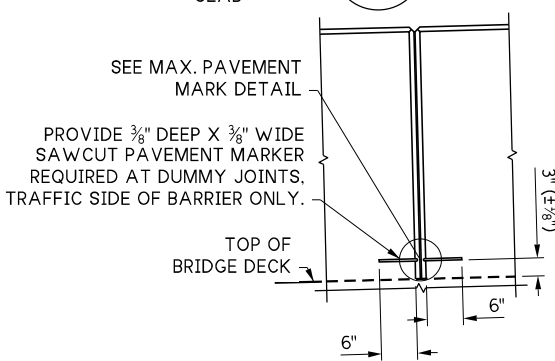
FOR [W1] AND [W2] BARS SEE WINGWALL OR RETAINING WALL PLANS

NOTE TO DESIGNER: [S1] AND [S2] LENGTH BASED ON STANDARD DECK THICKNESS.

**JUNCTION BOX LOCATIONS**

STATION	OFFSET	"TS" OR "LT"

TS = TRAFFIC SYSTEM  
LT = LIGHTING SYSTEM



**VIEW C**

**KEY NOTES:**

- 1 BLOCKOUT WIDTH MAY BE INCREASED TO 6" TO ALLOW CONDUITS OF A LARGER DIAMETER THAN 2" TO EXIT BARRIER OR WALL WITHOUT REBAR STEEL CONFLICT.
- 2 THE CONTRACTOR IS ADVISED THAT THE SLIPFORM CONSTRUCTION METHOD IS A PATENTED PROPRIETARY PROCESS FOR BARRIERS WITH A FRACTURED FIN FINISH.
- 3 JUNCTION BOX LOCATIONS SHOWN ARE APPROXIMATE. CENTER JUNCTION BOX INSTALLATION BETWEEN BARRIER DUMMY JOINTS.
- 4 INSTALL ALL CONDUIT RUNS TO DRAIN TO A BRIDGE END OR PROVIDE DRAIN AT ALL LOW POINTS IN CONDUIT RUN ON BRIDGE.

10.2-A6-2a

FILE NAME	10.2-A6-2a_Traffic Barrier - Single Slope 42 2 of 3.dgn		
BRIDGE DES. ENG.			
BRIDGE PROJ. ENG.			
SUPERVISOR			
DESIGNED BY			
CHECKED BY			
ENTERED BY			
PRELIM. PLAN BY			
ARCH. / SPEC.			
	REVISION	DATE	BY

REGION NO.	STATE
10	WASH
JOB NUMBER	
CONTRACT NO.	



SEE CERTIFICATION SHEET DATE	
STAMP BOX	

SEE CERTIFICATION SHEET DATE	
STAMP BOX	

**STANDARD DESIGN DRAWINGS TRAFFIC BARRIERS**

**TRAFFIC BARRIER - SINGLE SLOPE 42 DETAILS 2 OF 3**

PLAN REF NO	
SHEET	
OF	
SHEETS	