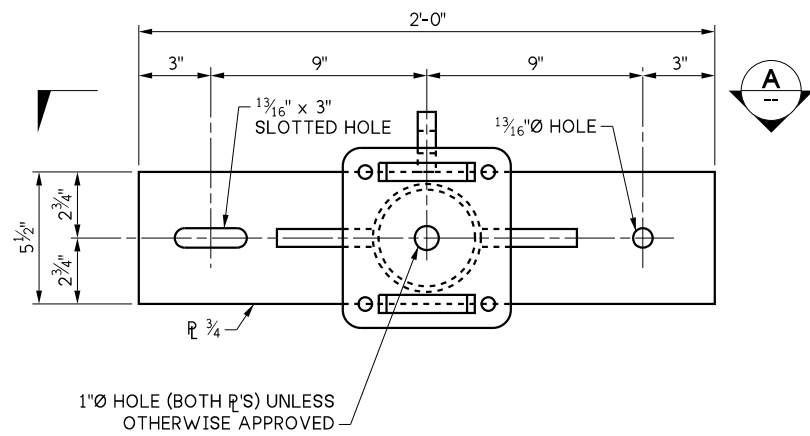
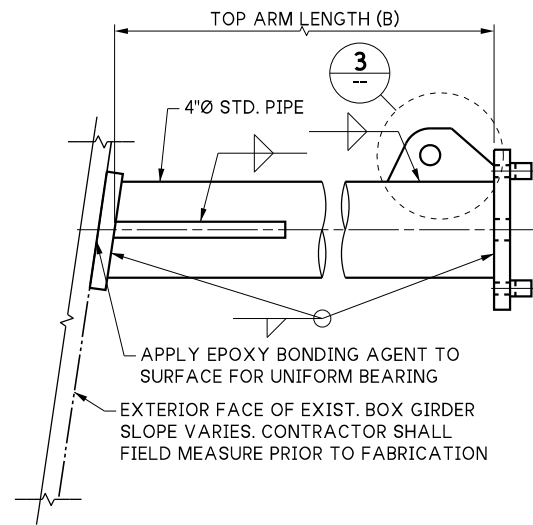


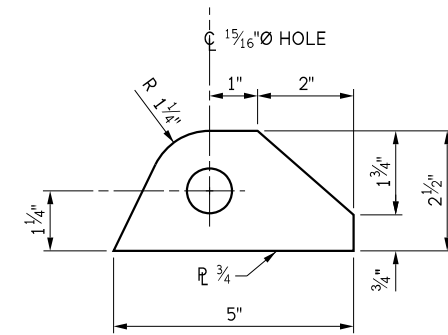
LAST REVISED: 03/20/2025



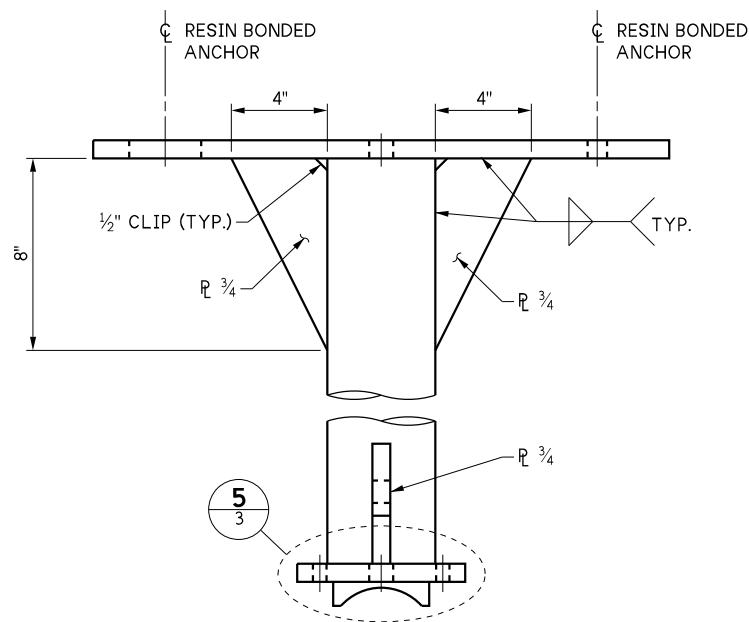
DETAIL 2



DETAIL 7



DETAIL 3



VIEW A

10.1-A6-4B

FILE NAME	10.1-A6-4b_Bridge Mounted Sign Bracket Details 2 of 3.dgn			
BRIDGE DES. ENG.				
BRIDGE PROJ. ENG.				
SUPERVISOR				
DESIGNED BY				
CHECKED BY				
ENTERED BY				
PRELIM. PLAN BY				
ARCH. / SPEC.				
	REVISION	DATE	BY	

REGION NO.	STATE
10	WASH
JOB NUMBER	
CONTRACT NO.	

WSDOT

PRELIMINARY PLAN
NOT FOR CONSTRUCTION

SEE CERTIFICATION SHEET DATE	SEE CERTIFICATION SHEET DATE
STAMP BOX	STAMP BOX

STANDARD DESIGN DRAWINGS BRIDGE MOUNTED SIGN BRACKET
BRIDGE MOUNTED SIGN BRACKET DETAILS 2 OF 3

PLAN REF NO
SHEET OF SHEETS