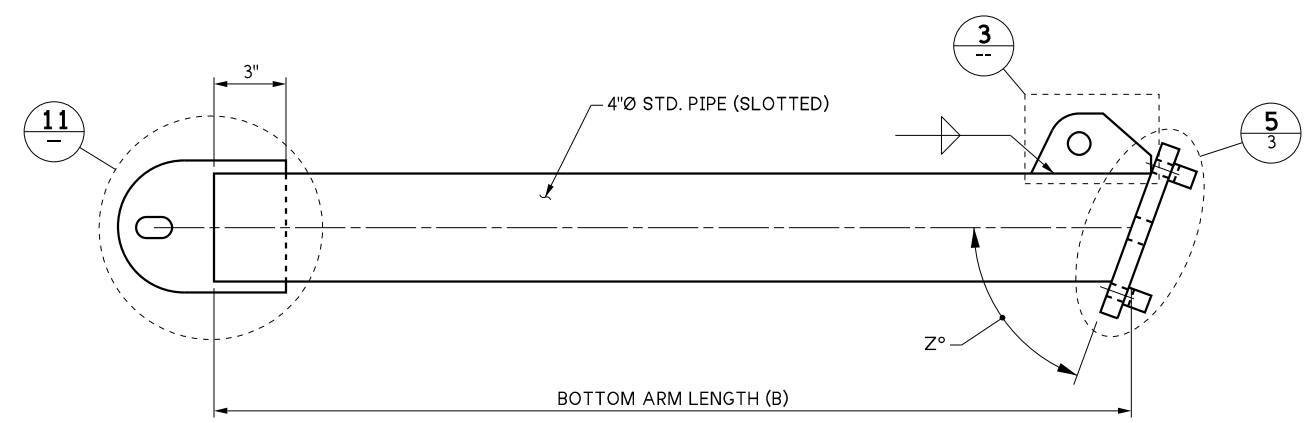
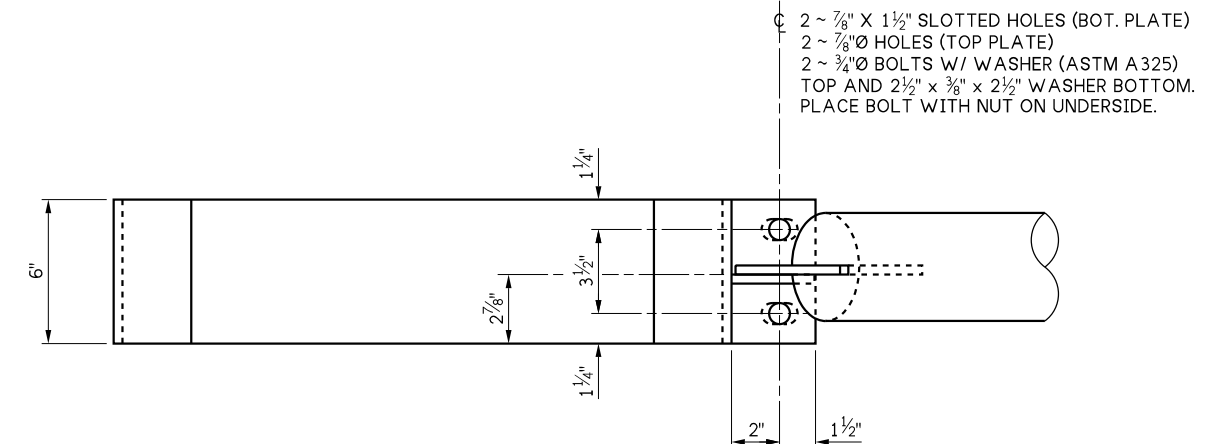


SIGN BRACKET NO.	Z° (CONTRACTOR TO VERIFY)			
	SUPPORT #1	SUPPORT #2	SUPPORT #3	SUPPORT #4
1	--°	--°	--°	--°

NOTES TO DESIGNER:
 1 REMOVE DETAIL C IF BRACING ROD IS NOT USED. ALSO REMOVE CALL OUTS AND LINEWORK FROM OTHER DETAILS.

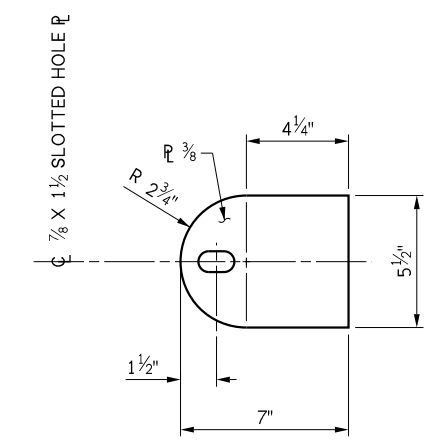


DETAIL 2

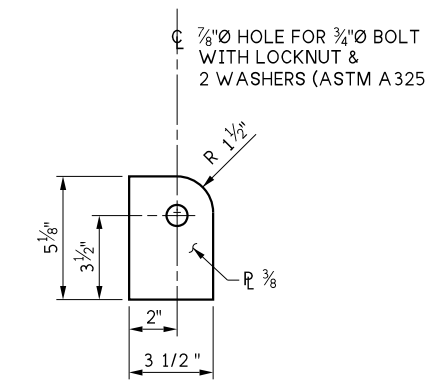


VIEW G

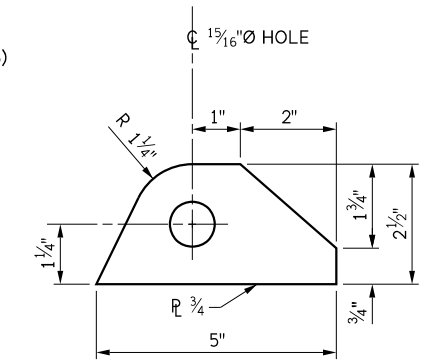
2 ~ 7/8" X 1 1/2" SLOTTED HOLES (BOT. PLATE)
 2 ~ 7/8" HOLES (TOP PLATE)
 2 ~ 3/4" BOLTS W/ WASHER (ASTM A325)
 TOP AND 2 1/2" x 3/8" x 2 1/2" WASHER BOTTOM.
 PLACE BOLT WITH NUT ON UNDERSIDE.



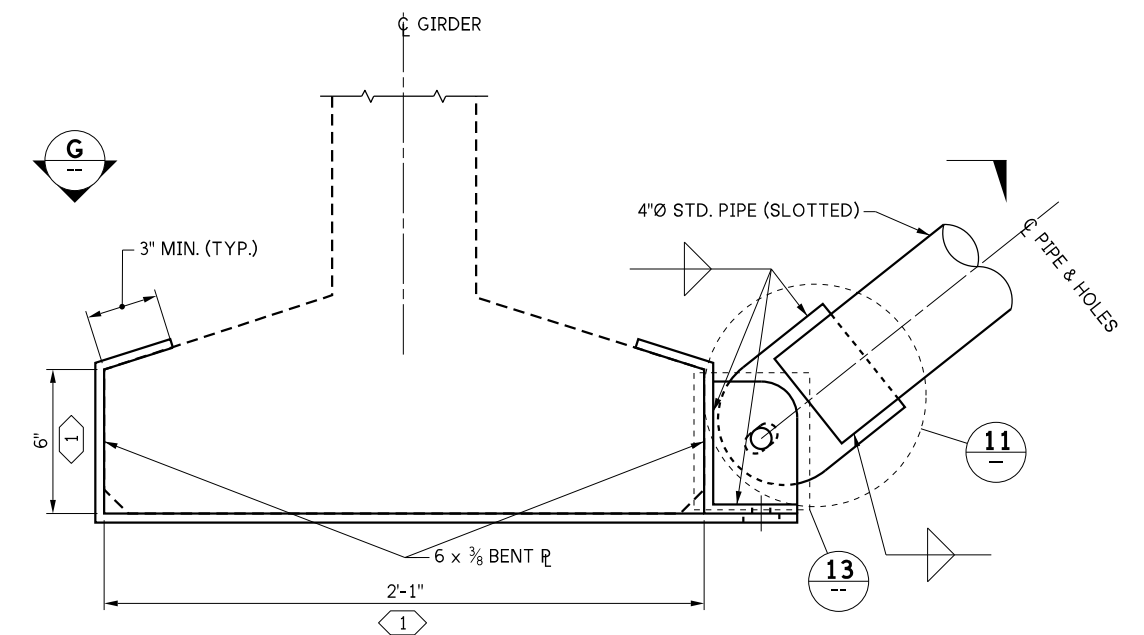
DETAIL 11



DETAIL 13



DETAIL 3



DETAIL 7

KEY NOTES:
 1 CONTRACTOR TO FIELD VERIFY PRIOR TO FABRICATION

LAST REVISED: 03/20/2025

10.1-A6-4A

FILE NAME	10.1-A6-4a_Bridge Mounted Sign Bracket Details 2 of 3.dgn			
BRIDGE DES. ENG.				
BRIDGE PROJ. ENG.				
SUPERVISOR				
DESIGNED BY				
CHECKED BY				
ENTERED BY				
PRELIM. PLAN BY				
ARCH. / SPEC.				
	REVISION	DATE	BY	

REGION NO.	STATE
10	WASH
JOB NUMBER	
CONTRACT NO.	

WSDOT
 PRELIMINARY PLAN
 NOT FOR CONSTRUCTION

SEE CERTIFICATION SHEET DATE	SEE CERTIFICATION SHEET DATE
STAMP BOX	STAMP BOX

STANDARD DESIGN DRAWINGS
 BRIDGE MOUNTED SIGN BRACKET

BRIDGE MOUNTED SIGN BRACKET
 DETAILS 2 OF 3

PLAN REF NO
SHEET OF SHEETS