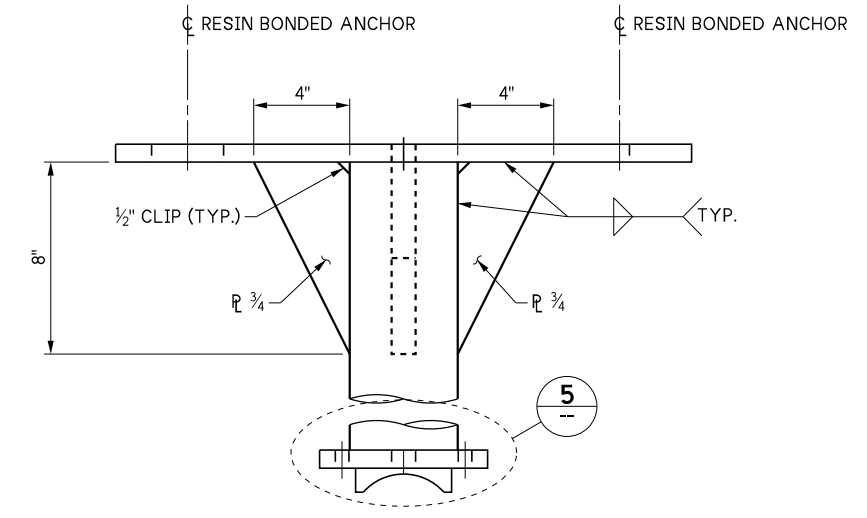
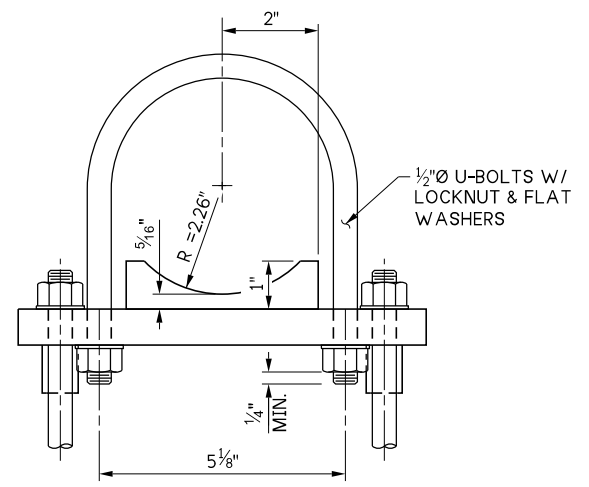
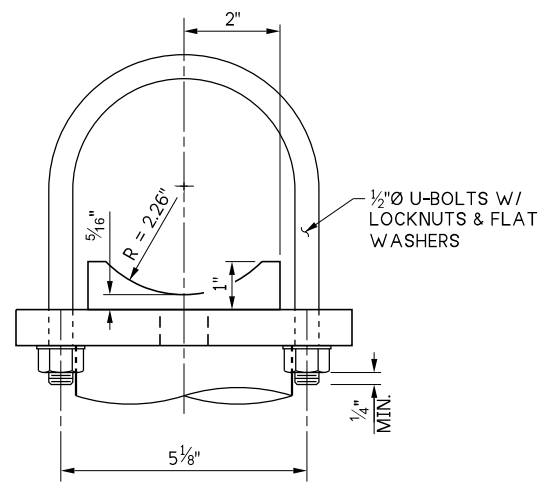
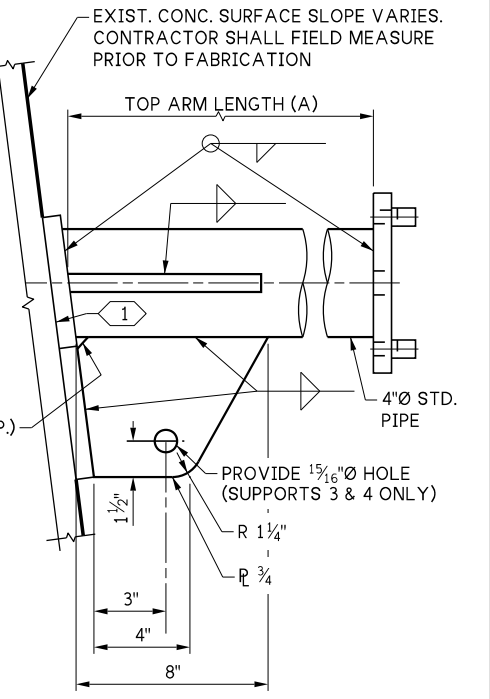
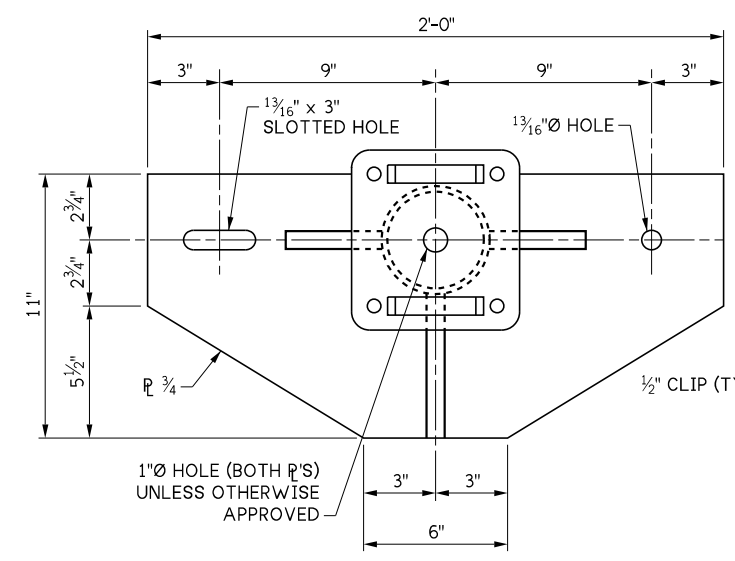
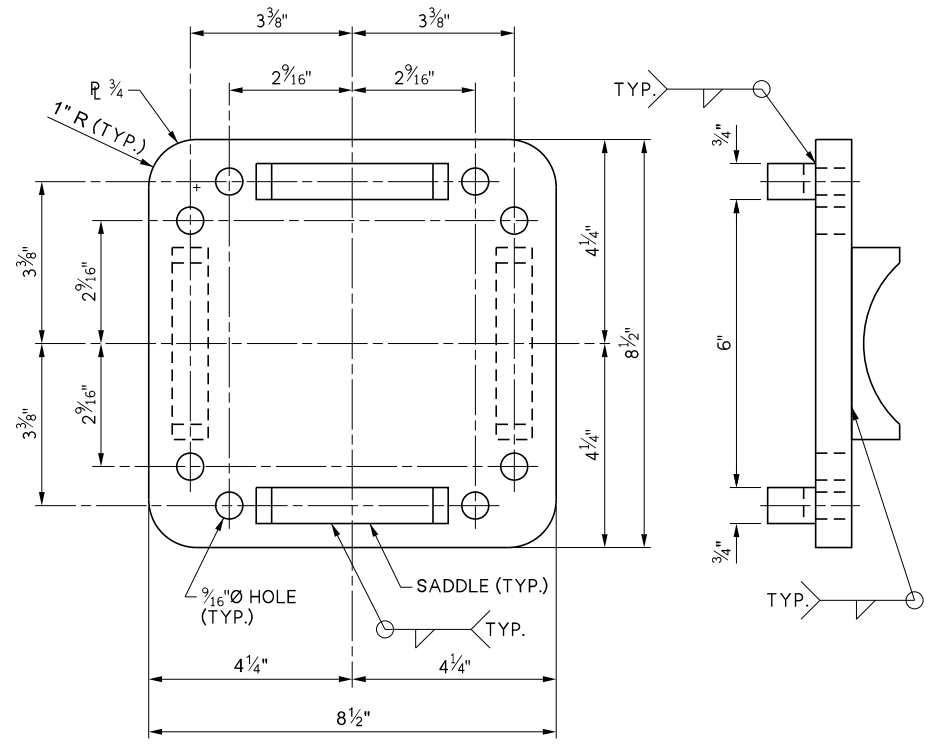
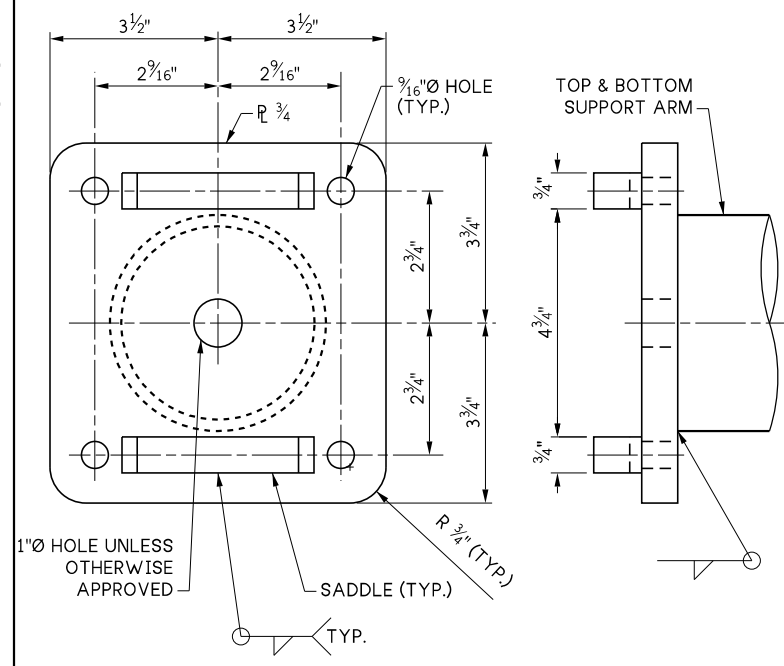


**NOTES TO DESIGNER:**  
 1. REMOVE CALLOUTS AND LINEWORK IF BRACING ROD IS NOT USED.  
 2. SHOW FORWARD OR BACK FACING SLOPE FOR TOP BRACKET ARM.



LAST REVISED: 03/19/2025



**DETAIL 5**  
28 3

**DETAIL 6**  
2

**DETAIL 1**  
2

**KEY NOTES:**

1 APPLY EPOXY BONDING AGENT TO SURFACE FOR UNIFORM BEARING.

10.1-A6-3

|                   |  |      |    |  |
|-------------------|--|------|----|--|
| FILE NAME         | 10.1-A6-3_Bridge Mounted Sign Bracket Details 1 of 3.dgn |      |    |  |
| BRIDGE DES. ENG.  |  |      |    |  |
| BRIDGE PROJ. ENG. |  |      |    |  |
| SUPERVISOR        |  |      |    |  |
| DESIGNED BY       |  |      |    |  |
| CHECKED BY        |  |      |    |  |
| ENTERED BY        |  |      |    |  |
| PRELIM. PLAN BY   |  |      |    |  |
| ARCH. / SPEC.     |  |      |    |  |
|                   | REVISION   | DATE | BY |  |

|              |       |
|--------------|-------|
| REGION NO.   | STATE |
| 10           | WASH  |
| JOB NUMBER   |       |
| CONTRACT NO. |       |



|                              |                              |
|------------------------------|------------------------------|
| SEE CERTIFICATION SHEET DATE | SEE CERTIFICATION SHEET DATE |
| STAMP BOX                    | STAMP BOX                    |

|   |
|---|
| STANDARD DESIGN DRAWINGS<br>BRIDGE MOUNTED SIGN BRACKET |
| BRIDGE MOUNTED SIGN BRACKET<br>DETAILS 1 OF 3           |

|                 |
|-----------------|
| PLAN REF NO     |
| SHEET OF SHEETS |