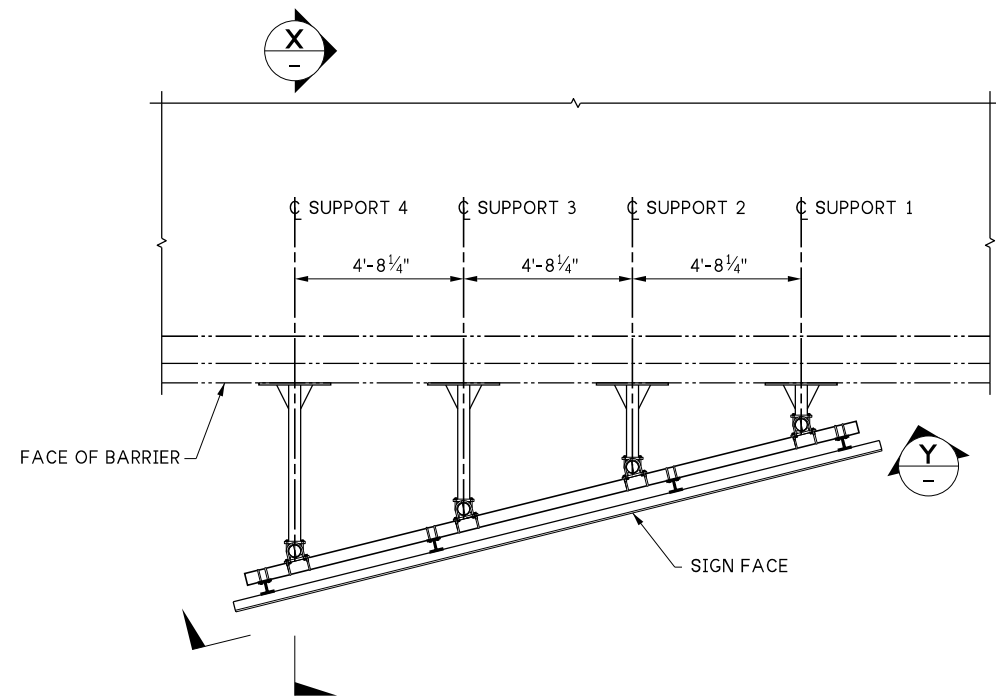
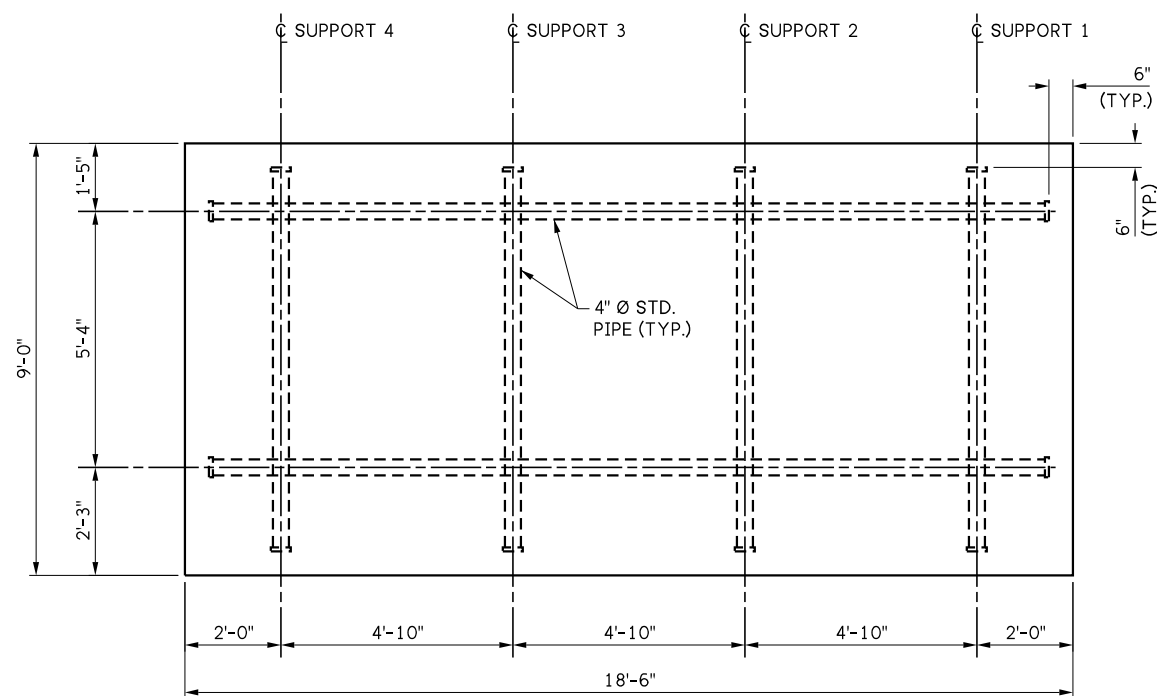


LAST REVISED: 08/15/2025

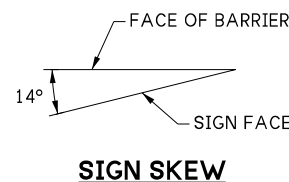
10.1-A6-2



PLAN
BRIDGE MOUNTED SIGN BRACKET NO. 1



VIEW Y



SIGN SKEW

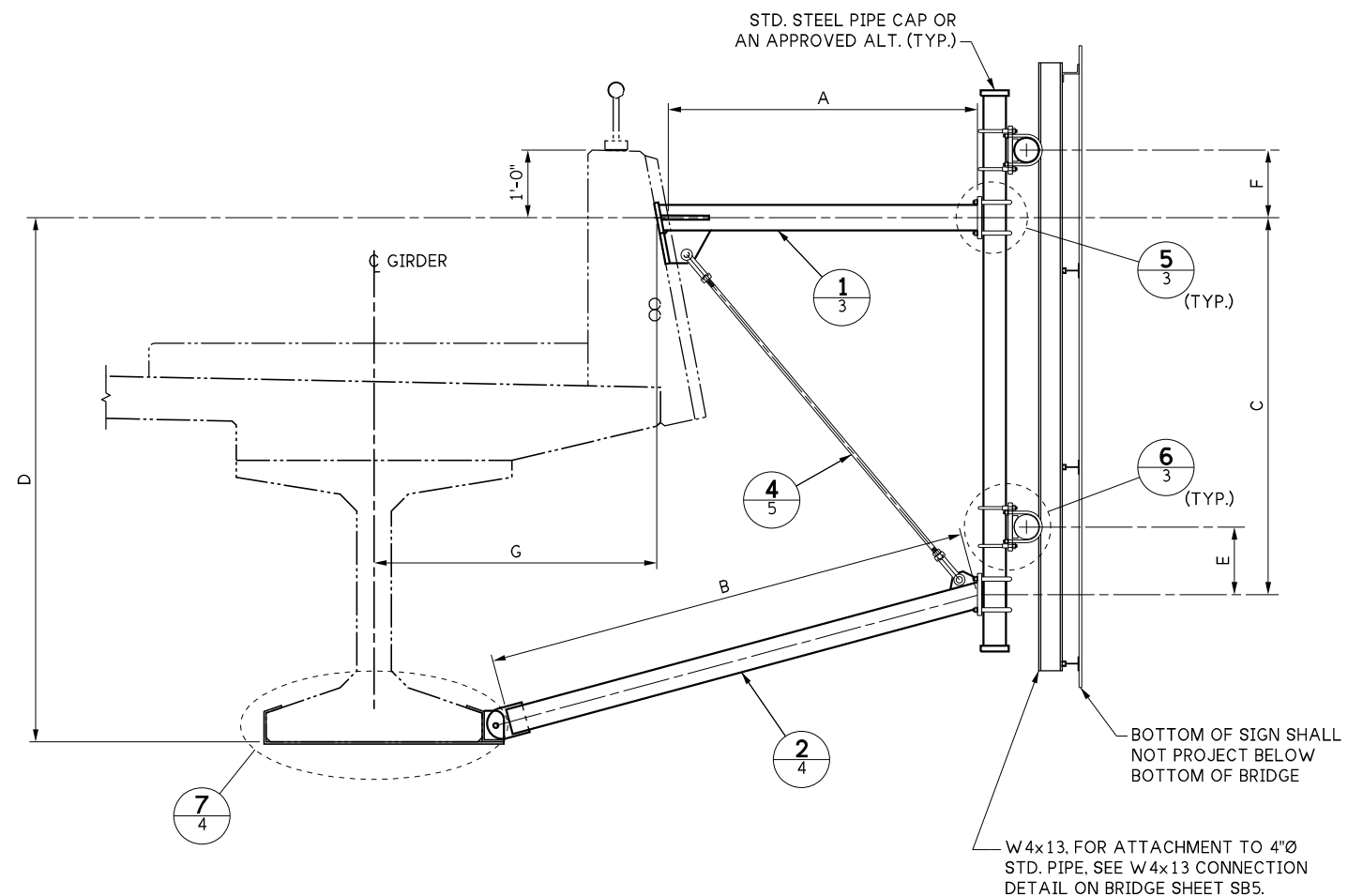
TABLE OF DIMENSIONS

SIGN BRACKET	LOCATION	SIGN SKEW	SIGN NO.	SIGN LENGTH	SIGN HEIGHT
1	SEE PLAN	--°	--	--	--

PIPE SIZE	TOP ARM LENGTHS				BOTTOM ARM LENGTHS			
	A1	A2	A3	A4	B1	B2	B3	B4
--Ø	---	---	---	---	---	---	---	---

BRACING LENGTHS		CANTILEVER LENGTHS		C	D	G
L3	L4	E	F			
---	---	---	---	---	---	---

D&G DIMENSIONS ARE BASED ON PLANS AND SHALL BE FIELD MEASURED PRIOR TO FABRICATION OF BRACKET ARMS AND BRACE. (ADJUST E AND F DIMENSIONS TO PLACE SIGN HORIZONTALLY)



SECTION X
SHOWN AT SUPPORT 4, DETAILS ARE SIMILAR AT SUPPORTS 3, 2 & 1

FILE NAME	10.1-A6-2_Bridge Mounted Sign Bracket No. 1 Geometry.dgn			
BRIDGE DES. ENG.				
BRIDGE PROJ. ENG.				
SUPERVISOR				
DESIGNED BY				
CHECKED BY				
ENTERED BY				
PRELIM. PLAN BY				
ARCH. / SPEC.				
		REVISION	DATE	BY
PLOT DATE: 02-Oct-2025	PLOT TIME: 1:14:42 PM	PLOTTED BY: deboejak	FILE PATH: pw://projectstore.wsdot.wa.gov:WSDOT/Documents/_HQ/Bridge & Structures/Bridge Design/_Design Standards/Standard Drawings and Details/Sign Structures and Components/_DGN/10.1-A6-2_Bridge Mounted Sign Bracket No. 1 Geometry.dgn	

REGION NO.	STATE
10	WASH
JOB NUMBER	
CONTRACT NO.	



SEE CERTIFICATION SHEET DATE	SEE CERTIFICATION SHEET DATE
STAMP BOX	STAMP BOX

STANDARD DESIGN DRAWINGS BRIDGE MOUNTED SIGN BRACKET	PLAN REF NO.
BRIDGE MOUNTED SIGN BRACKET NO. 1 GEOMETRY	SHEET OF SHEETS