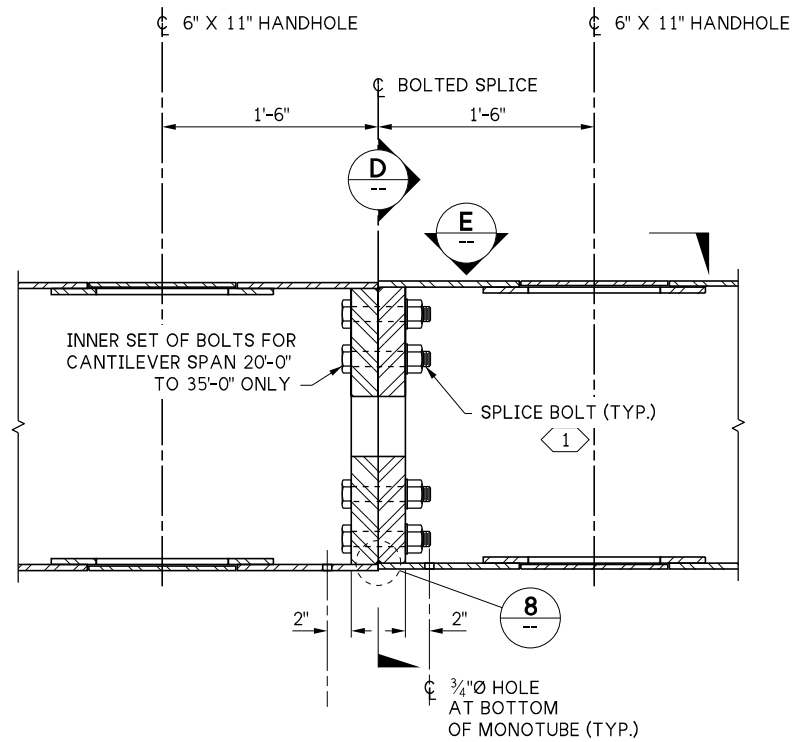
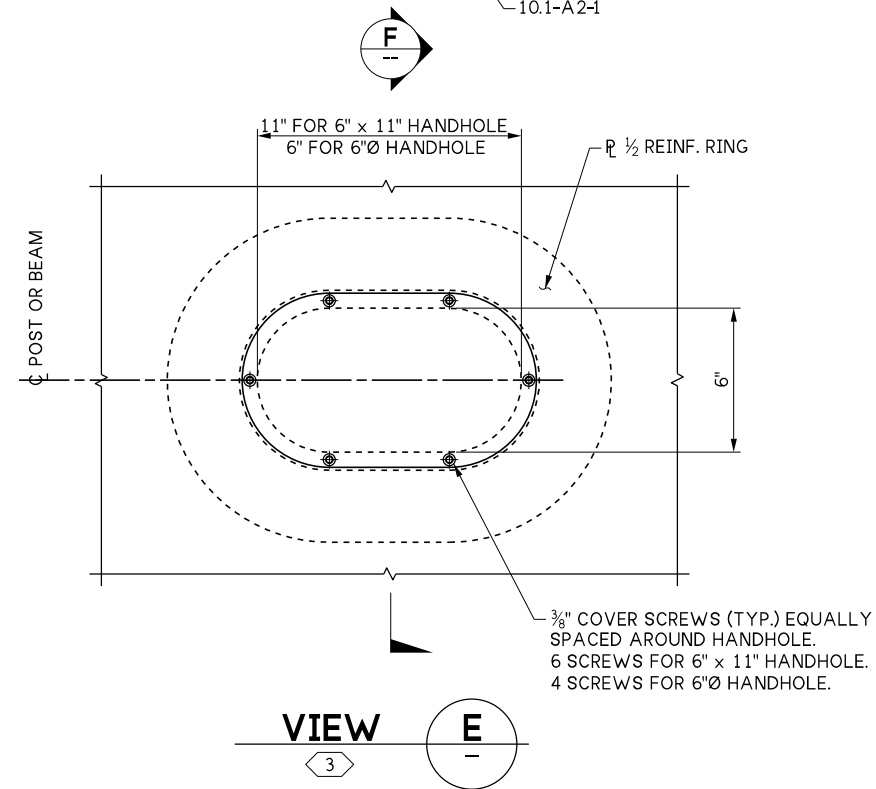


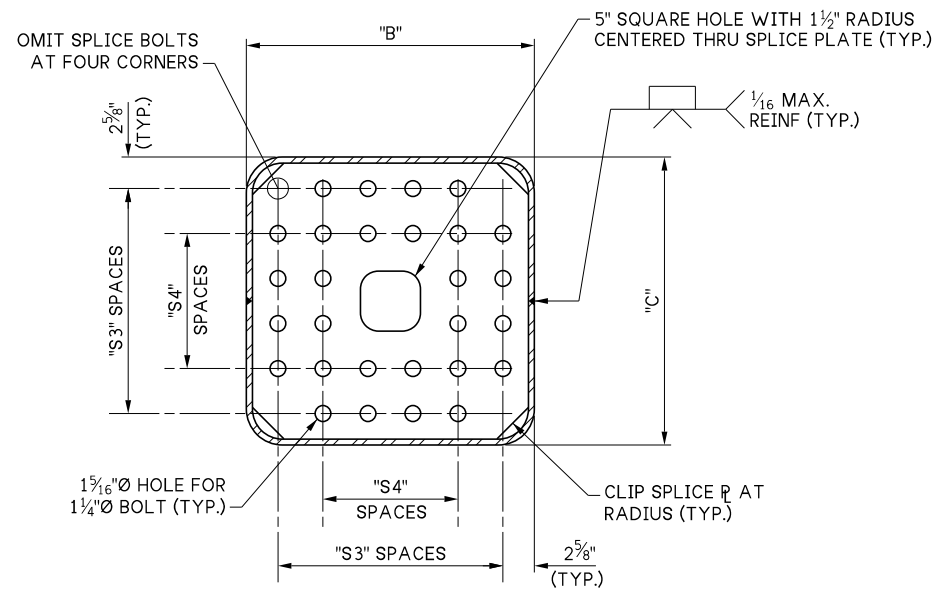
LAST REVISED: 08/13/2025



DETAIL 7
SECTION THRU BEAM
10.1-A2-1

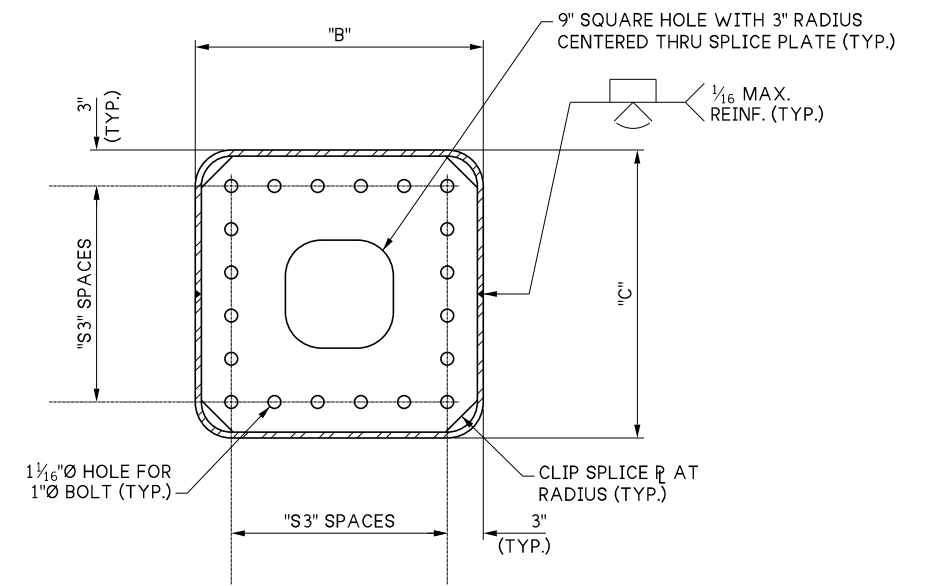


VIEW E
3

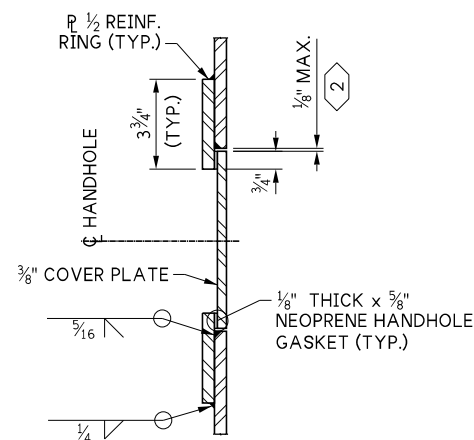


SECTION D
typical for 20'-0" to 35'-0"

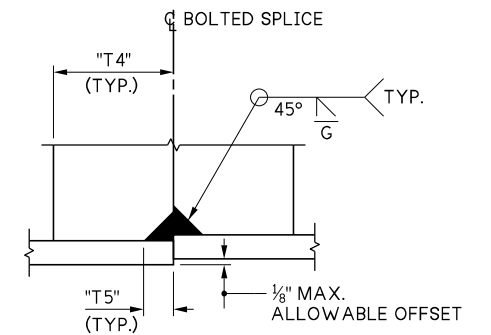
designer to delete non-applicable details



SECTION D
typical for less than 20'-0"



SECTION F



DETAIL 8

KEY NOTES:

- 1 20 TOTAL (OUTER SET) - 1"Ø SPLICE BOLT FOR CANTILEVER SPAN LESS THAN 20'-0" 28 TOTAL (OUTER AND INNER SET) - 1 1/4"Ø SPLICE BOLT FOR CANTILEVER SPANS 20'-0" TO 35'-0".
- 2 SEAL WITH APPROVED SEALANT AT INSTALLATION OF HANDHOLES ON TOP OF BEAM ONLY.
- 3 6" x 11" HANDHOLE SHOWN. 6"Ø HANDHOLE SIMILAR EXCEPT AS NOTED.

10.1-A2-3

FILE NAME	10.1-A2-3_Monotube Cantilever Details 2.dgn		
BRIDGE DES. ENG.			
BRIDGE PROJ. ENG.			
SUPERVISOR			
DESIGNED BY			
CHECKED BY			
ENTERED BY			
PRELIM. PLAN BY			
ARCH. / SPEC.			
	REVISION	DATE	BY

REGION NO.	STATE
10	WASH
JOB NUMBER	
CONTRACT NO.	

WSDOT
PRELIMINARY PLAN
NOT FOR CONSTRUCTION

SEE CERTIFICATION SHEET DATE	SEE CERTIFICATION SHEET DATE
STAMP BOX	STAMP BOX

STANDARD DESIGN DRAWINGS MONOTUBE SIGN STRUCTURES	PLAN REF NO.
MONOTUBE CANTILEVER STRUCTURAL DETAILS 2	SHEET OF SHEETS