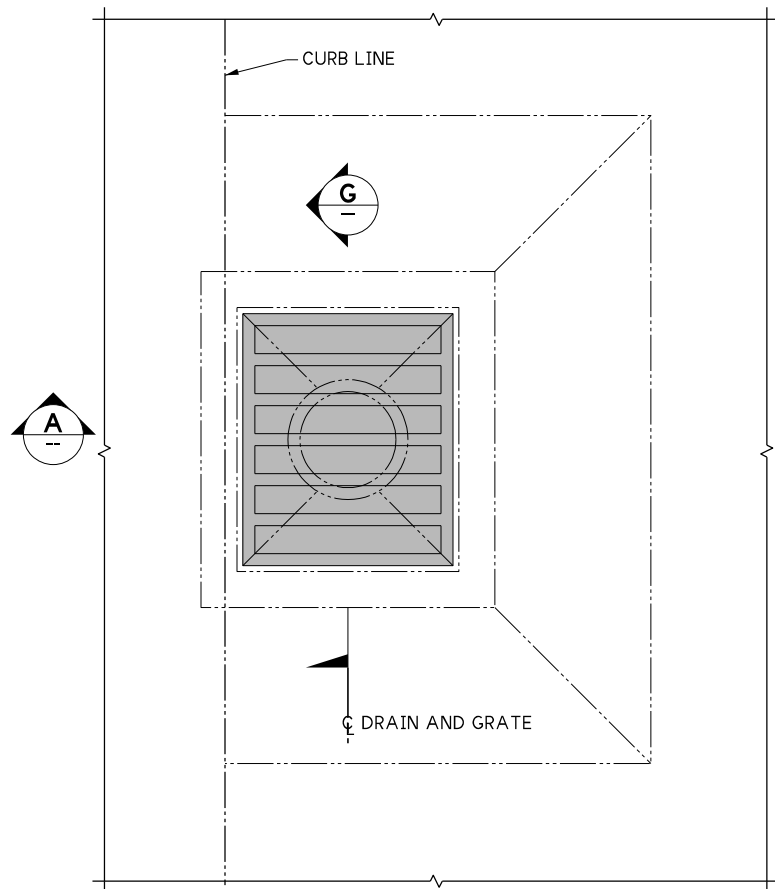
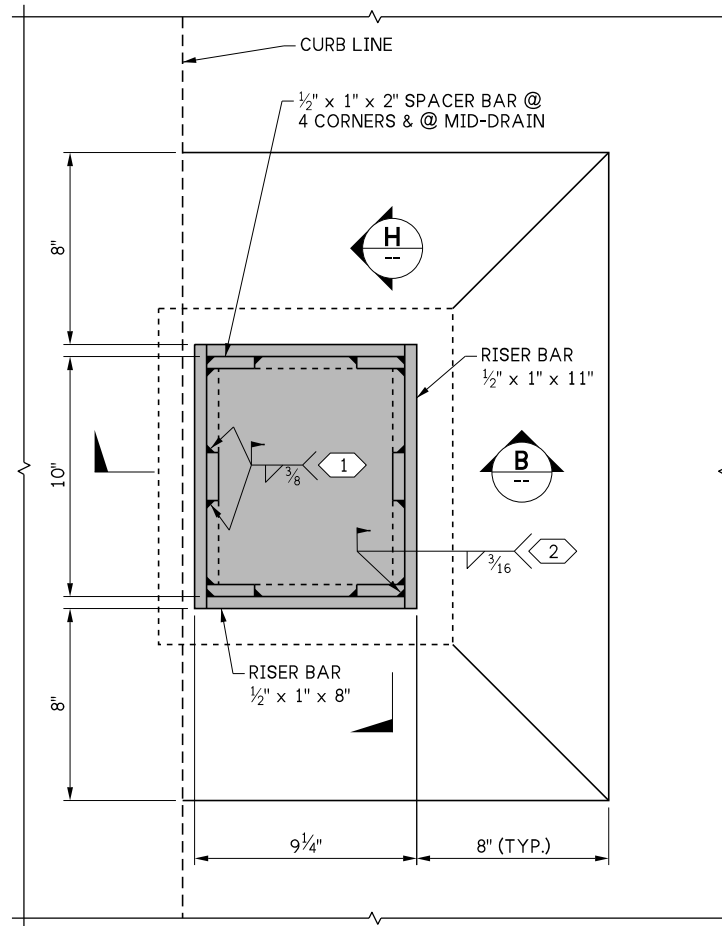


LAST REVISED: 06/05/2025

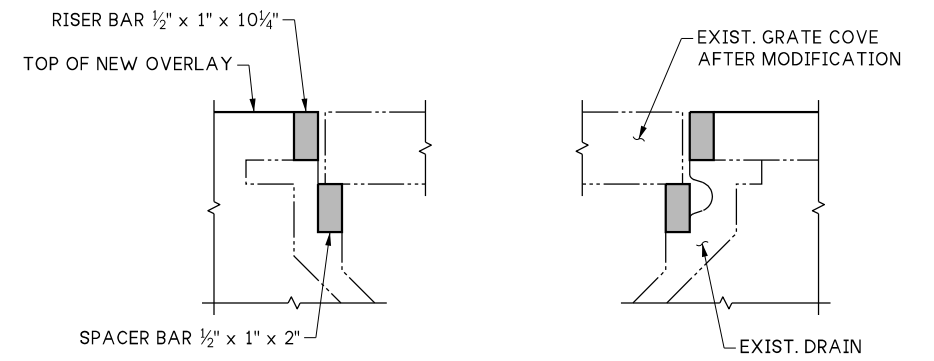


PLAN - EXISTING DRAIN

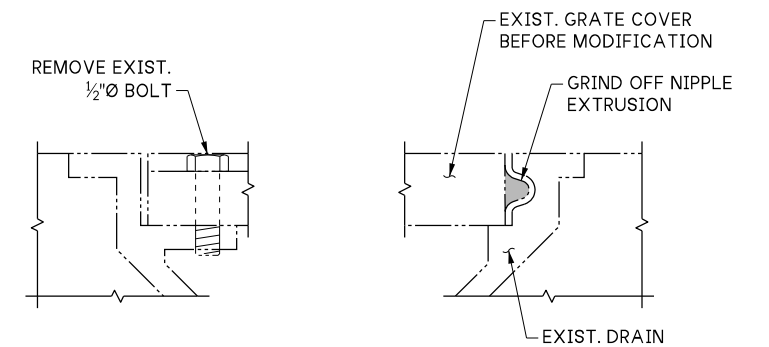


PLAN AFTER RETROFIT

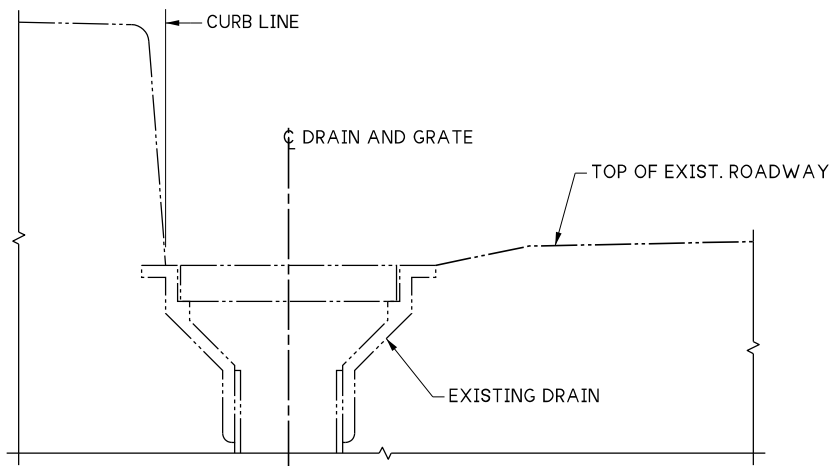
EXISTING DRAIN GRATE NOT SHOWN
REUSE GRATE AFTER MODIFICATION



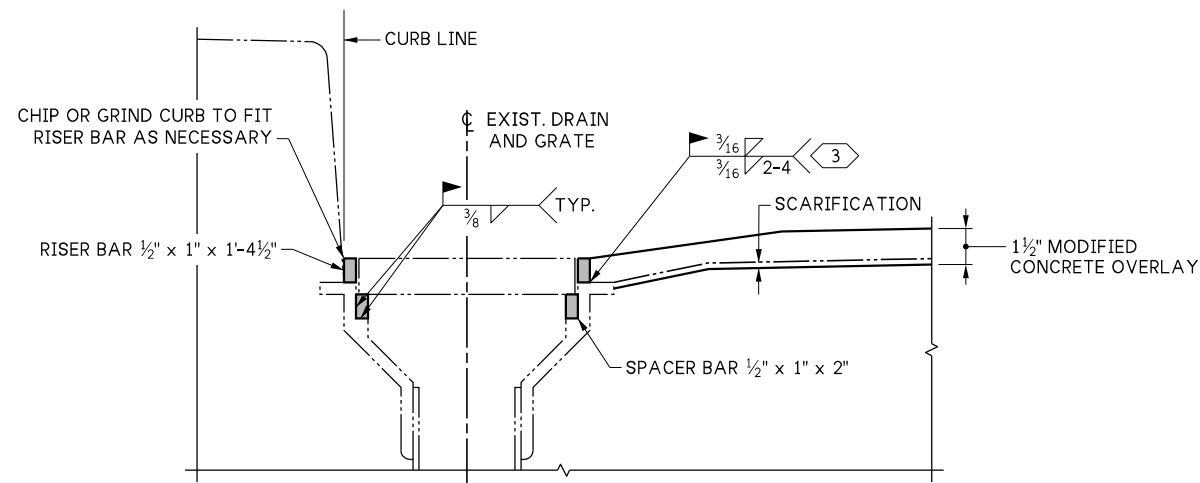
SECTION H



SECTION G



SECTION A
EXIST. CONDITION
16 REQUIRED



SECTION B
MODIFIED
CONDITION

KEY NOTES

- ① TYPICAL AT EACH SPACER BAR.
- ② TYPICAL AT 4 CORNERS.
- ③ TYPICAL ON 4 SIDES EXCEPT OMIT FILLET WELD ON CURB SIDE

10.11-A1-2

FILE NAME	10.11-A1-2 Bridge Drain Type 2 thru 5.dgn		
BRIDGE DES. ENG.			
BRIDGE PROJ. ENG.			
SUPERVISOR			
DESIGNED BY			
CHECKED BY			
ENTERED BY			
PRELIM. PLAN BY			
ARCH. / SPEC.			
	REVISION	DATE	BY
PLOT DATE:	10-Oct-2025	PLOT TIME:	11:17:59 AM
PLOTTED BY:	deboejak	FILE PATH:	pw://projectstore.wsdot.wa.gov:WSDOT/Documents/_HQ/Bridge & Structures/Bridge Design/_Design Standards/Standard Drawings and Details/Drainage and Utility Components/Bridge Drains/_DGN/10.11-A1-2 Bridge Drain Type 2 thru 5.dgn

REGION NO.	STATE
10	WASH
JOB NUMBER	
CONTRACT NO.	

WSDOT

PRELIMINARY PLAN
NOT FOR CONSTRUCTION

SEE CERTIFICATION SHEET DATE	SEE CERTIFICATION SHEET DATE
STAMP BOX	STAMP BOX

**STANDARD DESIGN DRAWINGS
BRIDGE DRAINS**

**BRIDGE DRAIN TYPES 2 THRU 5
MODIFICATION FOR OVERLAY**

PLAN REF NO
SHEET OF SHEETS