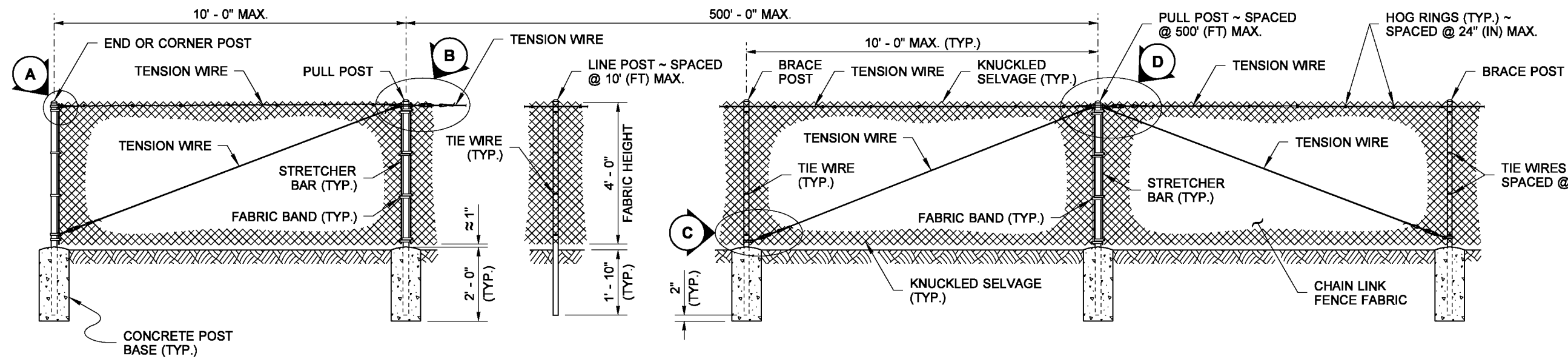
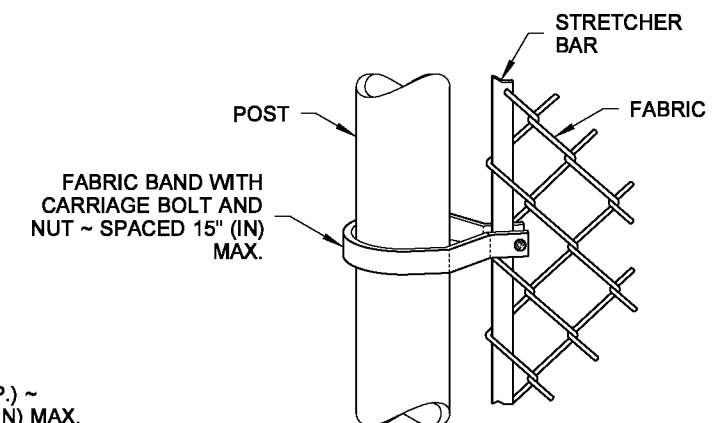


**TYPE 3**

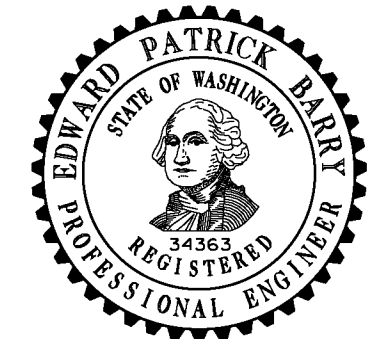


**TYPE 4**

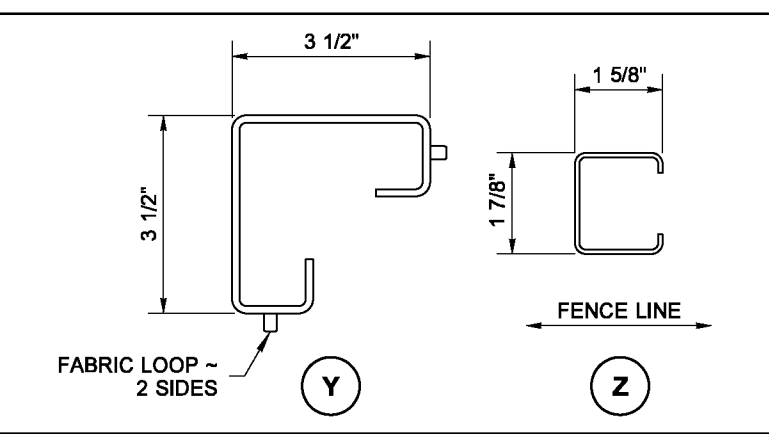
- NOTES**
1. All concrete post bases shall be 10" (in) minimum diameter.
  2. Along the top and bottom, using Hog Rings, fasten the Chain Link Fence Fabric to the Tension Wire within the limits of the first full fabric weave.
  3. Details are illustrative and shall not limit hardware design or post selection of any particular fence type.
  4. Fencing shall be used for security and boundary delineation only.



**METHOD OF FASTENING STRETCHER BAR TO POST**

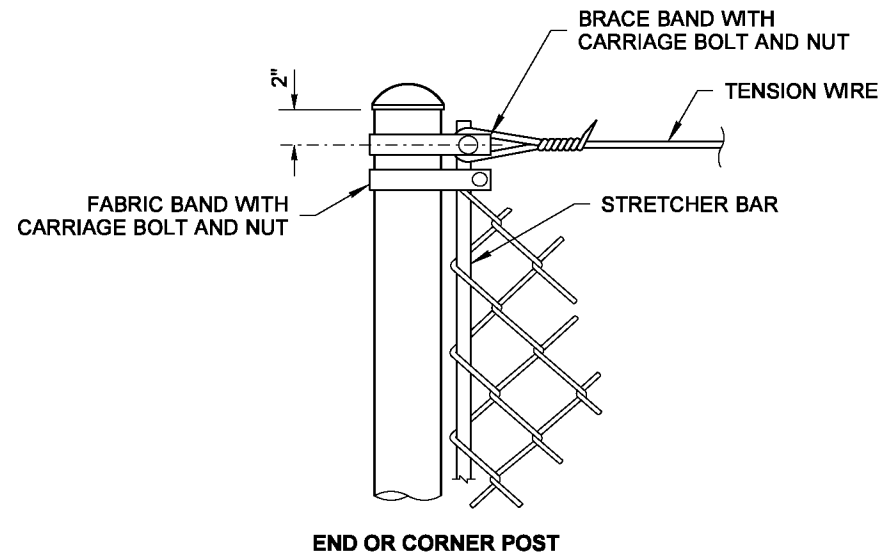


POST AND RAIL SPECIFICATIONS			
POST	PIPE	ROLL FORMED	
	NOM. SIZE (SCH. 40) I.D.	SECTION	WEIGHT (lb/ft)
END, CORNER, OR PULL POST	2 1/2" DIAM.	(Y)	5.10
LINE OR BRACE POST	2" DIAM.	(Z)	1.85

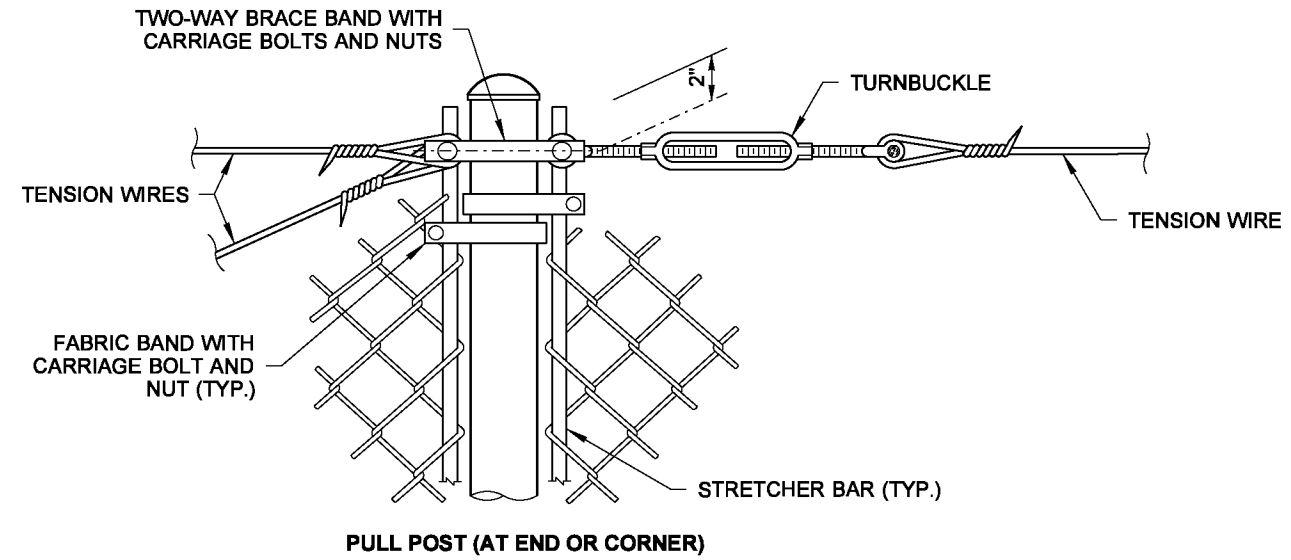


**CHAIN LINK FENCE TYPES 3 AND 4**  
**STANDARD PLAN L-20.10-03**

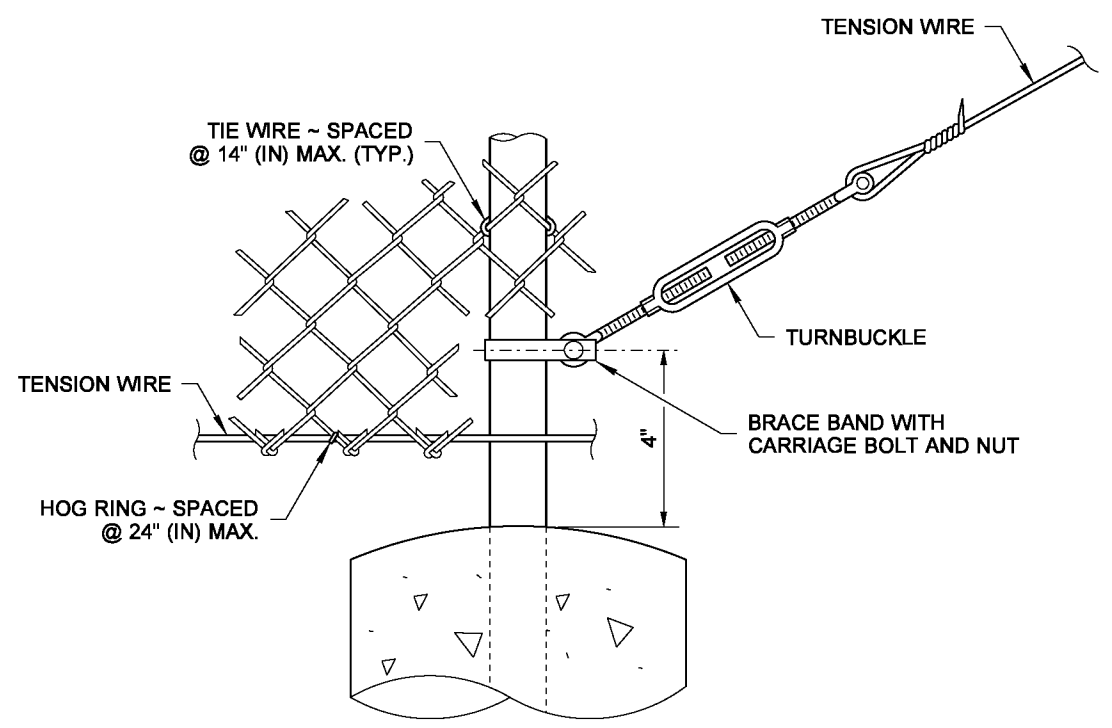
DRAWN BY: COLBY FLETCHER



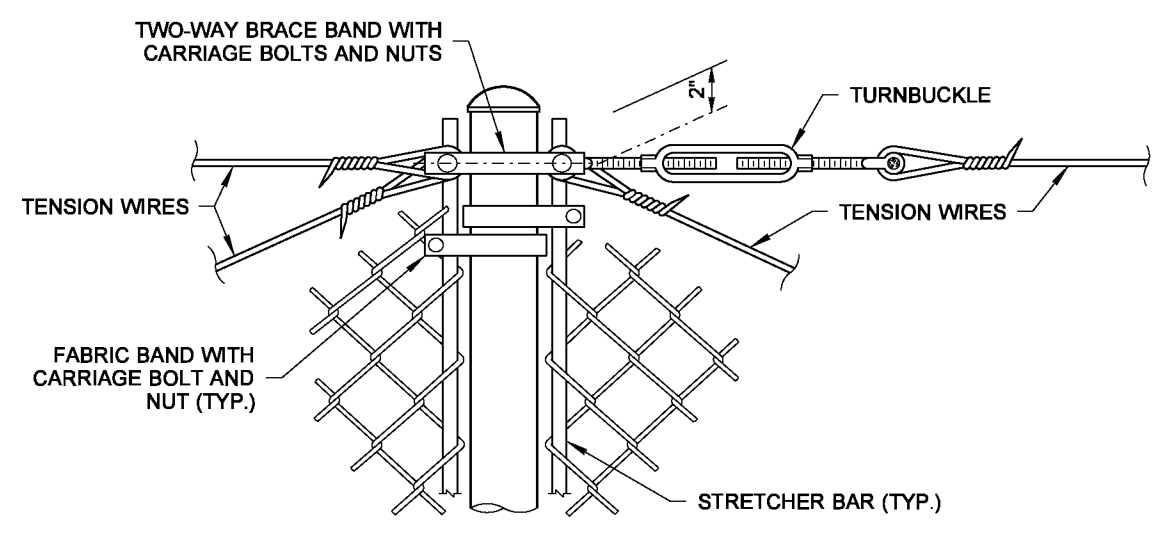
DETAIL A



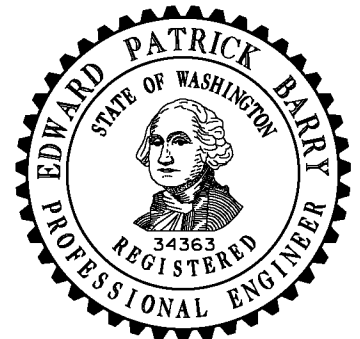
DETAIL B



DETAIL C



DETAIL D



**CHAIN LINK FENCE  
TYPES 3 AND 4  
STANDARD PLAN L-20.10-03**

SHEET 2 OF 2 SHEETS

APPROVED FOR PUBLICATION

STATE DESIGN ENGINEER  
 Washington State Department of Transportation