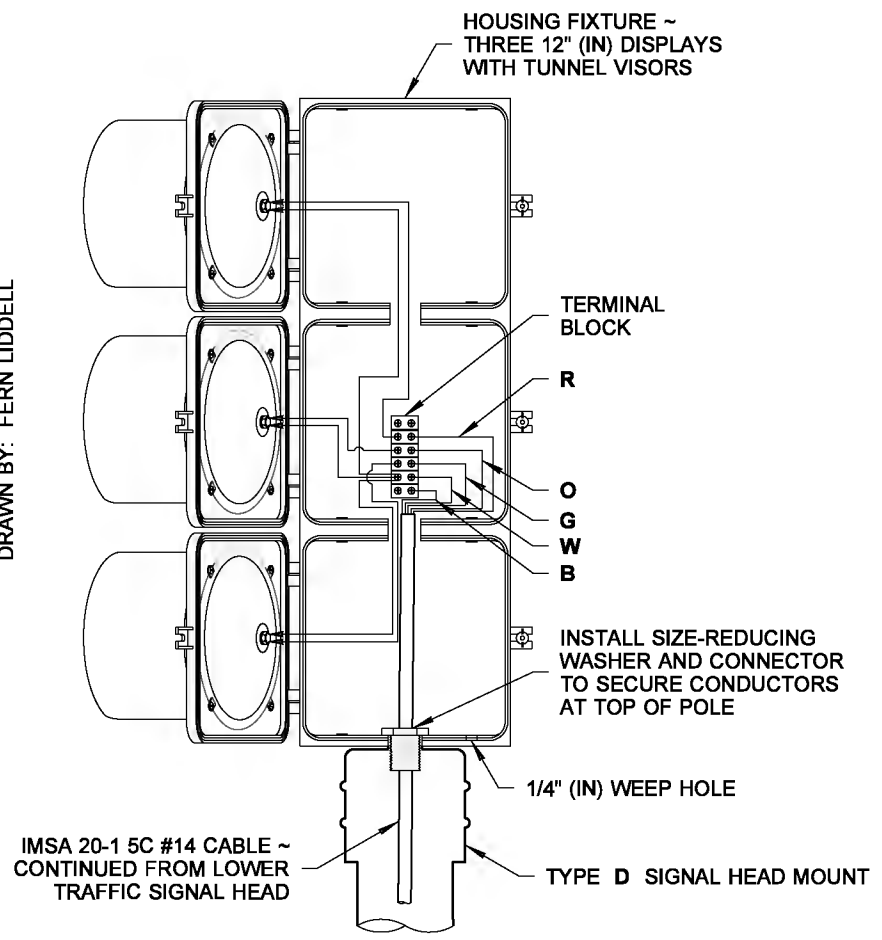
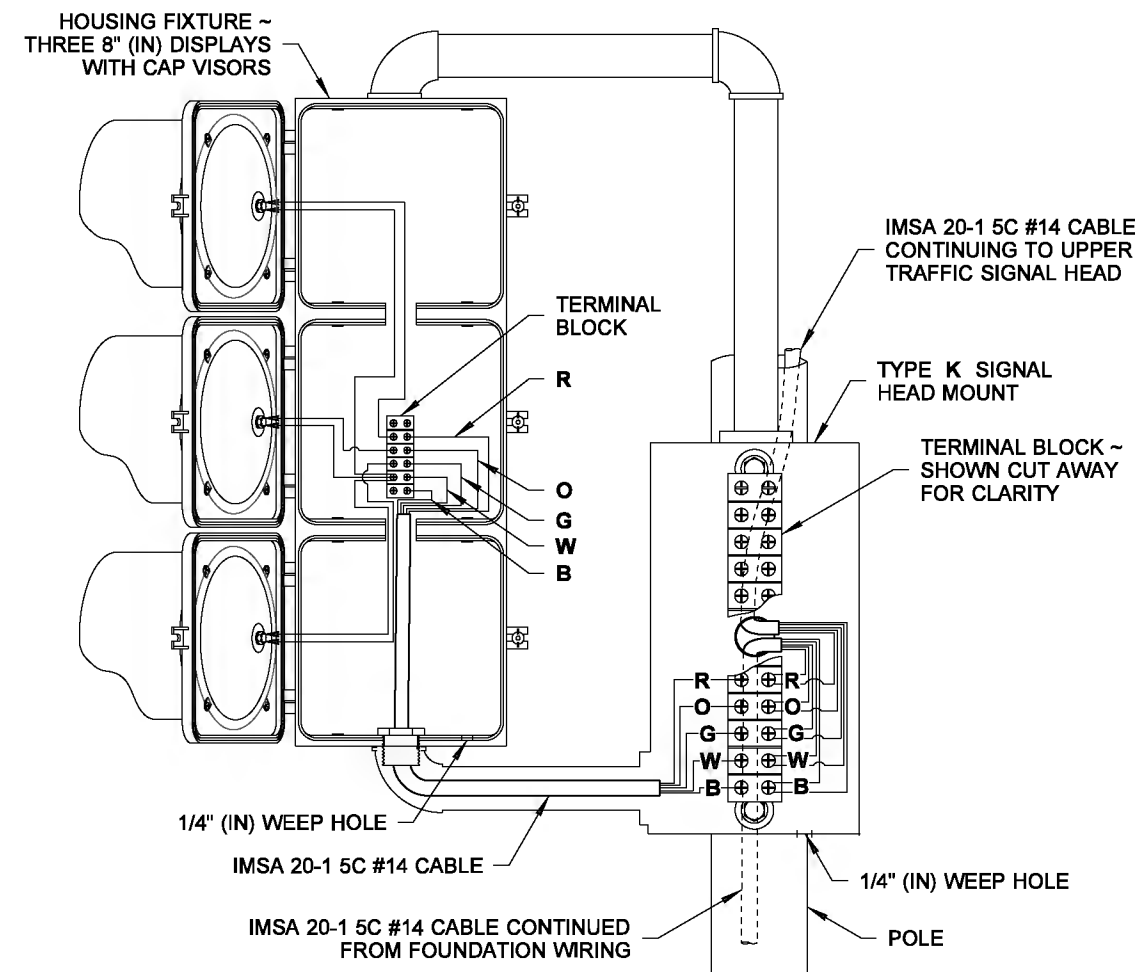


DRAWN BY: FERN LIDDELL



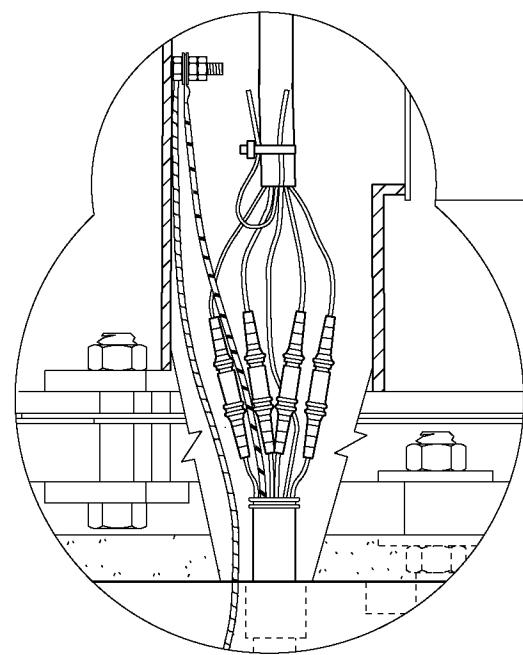
**DETAIL A**

**UPPER TRAFFIC SIGNAL HEAD WIRING**  
(BACKPLATE NOT SHOWN FOR CLARITY)

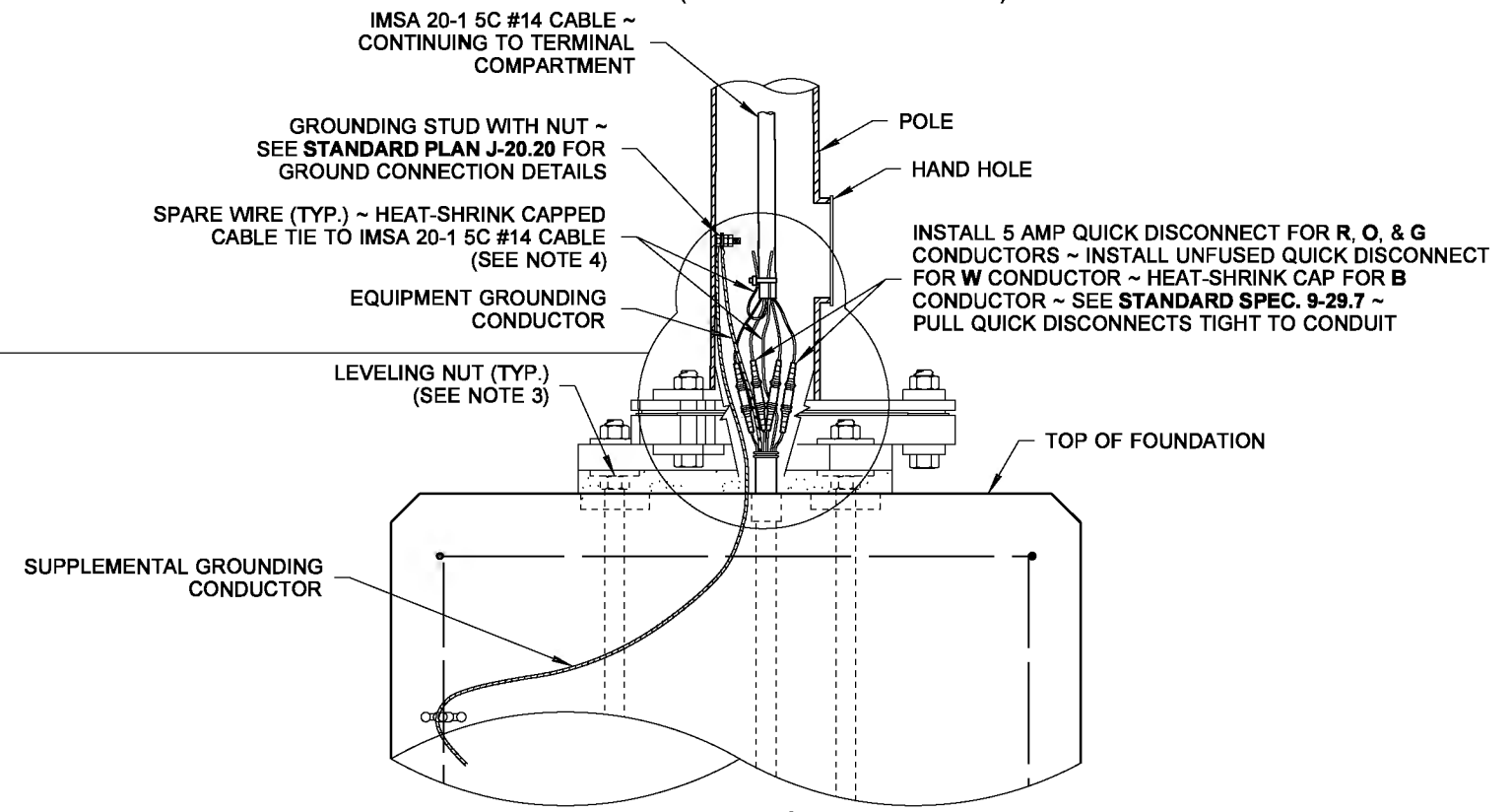


**DETAIL B**

**LOWER TRAFFIC SIGNAL HEAD WIRING**  
(SHOWN LARGER FOR CLARITY)



**WIRING DETAIL**



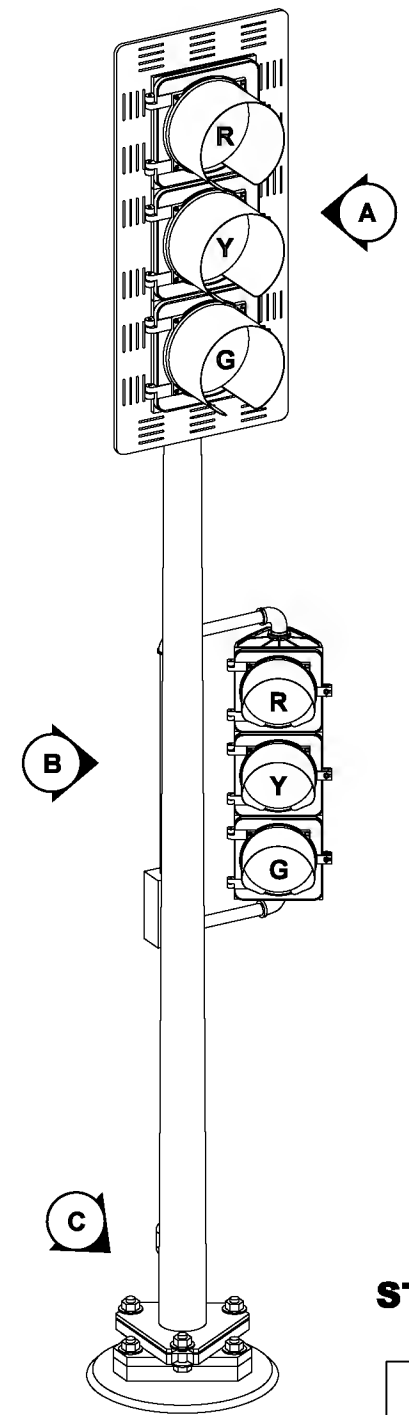
**DETAIL C**

**FOUNDATION WIRING**

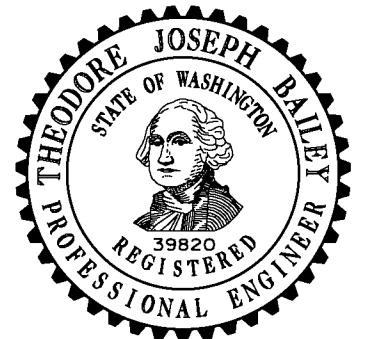
**NOTES**

1. See **Standard Plan J-21.10** for Ramp Meter Signal Standard and Foundation Details.
2. See **Standard Specification 9-29.17** for additional Mounting Bracket and Fitting information not shown.
3. Top of Leveling Nut height shall be 1" (in) max. above foundation.
4. Heat-shrink cap for all spare conductors not terminated on a terminal strip.
5. Provide Cable Tie at wiring entering the Junction Box (Slip Base installations only). See **Detail A, Standard Plan J-28.70**.

| COLOR CODE | USE               |
|------------|-------------------|
| R          | RED DISPLAY       |
| O          | AMBER DISPLAY     |
| G          | GREEN DISPLAY     |
| W          | NEUTRAL CONDUCTOR |
| B          | SPARE CONDUCTOR   |



**PERSPECTIVE VIEW**  
**RAMP METER**



**RAMP METER**  
**SIGNAL STANDARD**  
**ELECTRICAL DETAILS**  
**STANDARD PLAN J-22.16-03**

SHEET 1 OF 1 SHEET

APPROVED FOR PUBLICATION

STATE DESIGN ENGINEER  
Washington State Department of Transportation