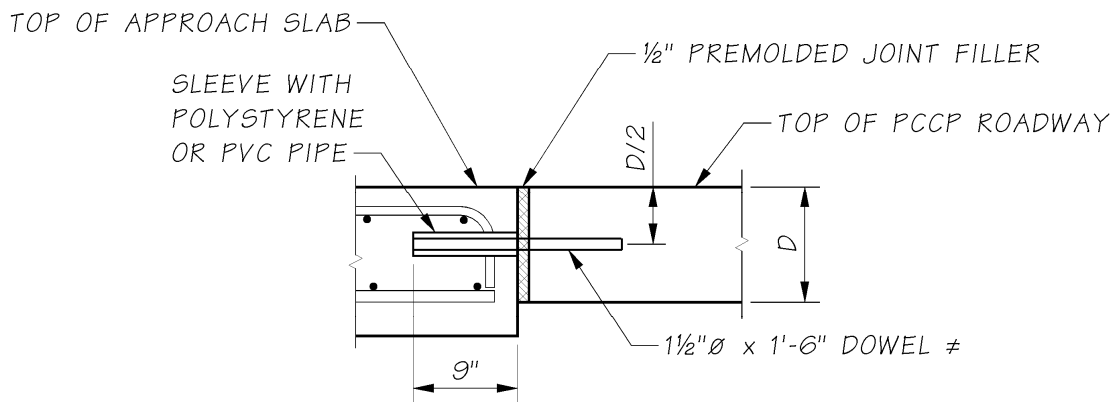


PINNED APPROACH SLAB DETAIL

Figure 10.6.6-1



PCCP ROADWAY DOWEL BAR DETAIL

INSERT DOWELS PARALLEL TO CENTER LINE
ALONG TRANSVERSE CONSTRUCTION JOINT.

≠ DRILL 1 $\frac{3}{4}$ " \emptyset HOLE AND SET WITH EPOXY RESIN
IF PLACED INTO EXISTING PCCP ROADWAY.

Figure 10.6.6-2