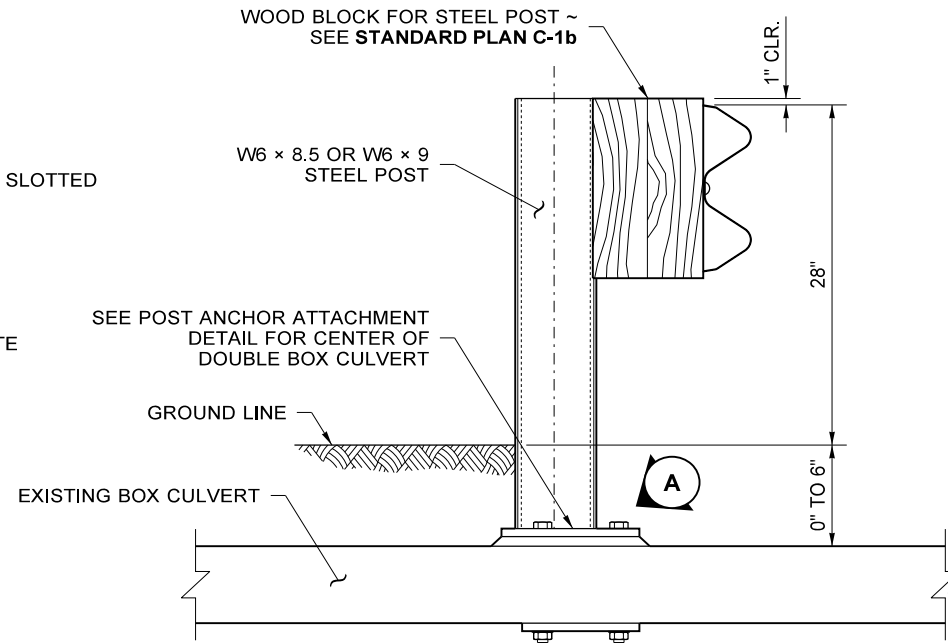
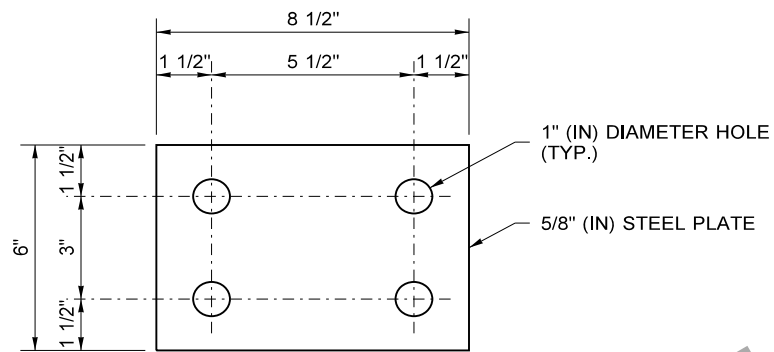


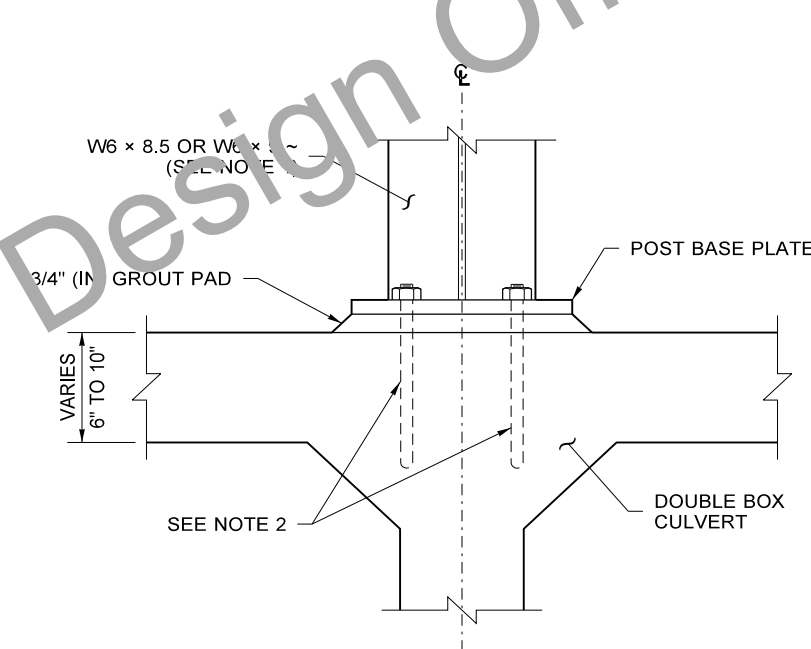
POST BASE PLATE DETAIL



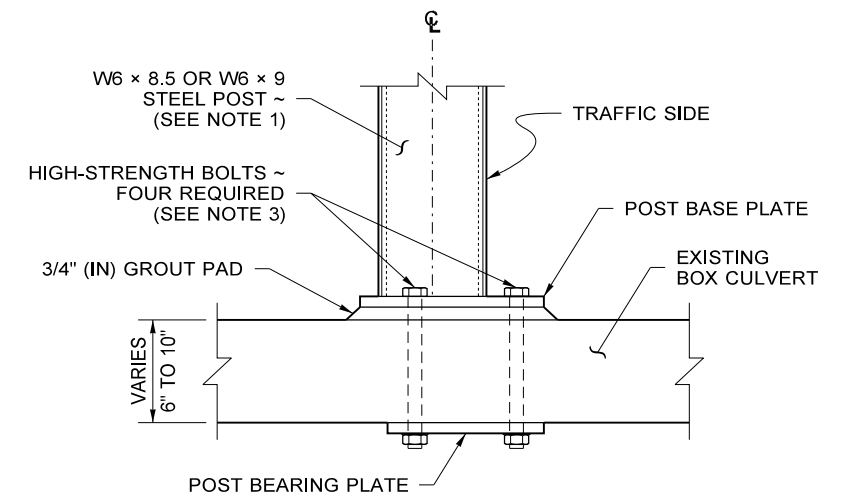
BOX CULVERT GUARDRAIL STEEL POST TYPE 2
(0" (IN) TO 6" (IN) GROUND COVER)



POST BEARING PLATE DETAIL



POST ANCHOR ATTACHMENT DETAIL



DETAIL A
POST BASE ATTACHMENT

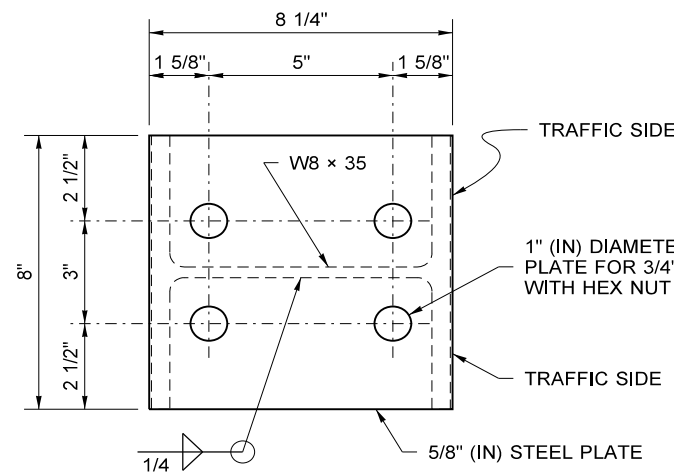
NOTES

1. LENGTH OF W8 x 35, W6 x 8.5 OR W6 x 9 SHALL BE DETERMINED BY MEASUREMENT FROM GROUND LINE TO TOP OF GROUT PAD. THIS DISTANCE SHALL BE VERIFIED BY THE CONTRACTOR.
2. ATTACH GUARDRAIL POST TO BOX CULVERT WITH 3/4" (IN) DIAMETER HIGH-STRENGTH BOLTS WITH RESIN-BONDED ANCHORS.
3. DRILL 1 1/4" (IN) DIAMETER HOLE IN CONCRETE SLAB FOR 7/8" (IN) DIAMETER HIGH-STRENGTH BOLT. LENGTH OF BOLT IS DETERMINED BY TOP SLAB OF BOX CULVERT THICKNESS, WHICH SHALL BE VERIFIED BY THE CONTRACTOR.

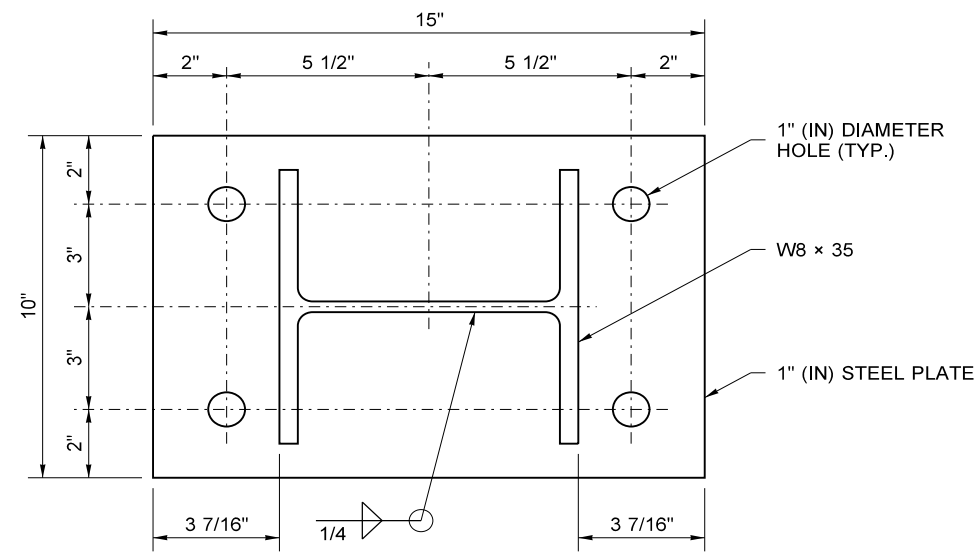
BOX CULVERT GUARDRAIL STEEL POST

FILE NAME S:\Design R P& S14-Standards\2-Plan Sheet Library\01-Published PSL(TB) Traffic Barrier(TB-C series) plans converted\TB-c10\TB-c10.dgn				REGION NO. STATE		FED.AID PROJ.NO.		DATE		DATE		Plot 1	
TIME 8:05:39 AM				10 WASH				P.E. STAMP BOX		P.E. STAMP BOX		PLAN REF NO	
DATE 9/6/2018												TB-C10	
PLOTTED BY lldelf				JOB NUMBER								SHEET	
DESIGNED BY				CONTRACT NO.		LOCATION NO.						1	
ENTERED BY												OF	
CHECKED BY												2	
PROJ. ENGR.												SHEETS	
REGIONAL ADM.				REVISION		DATE		BY					

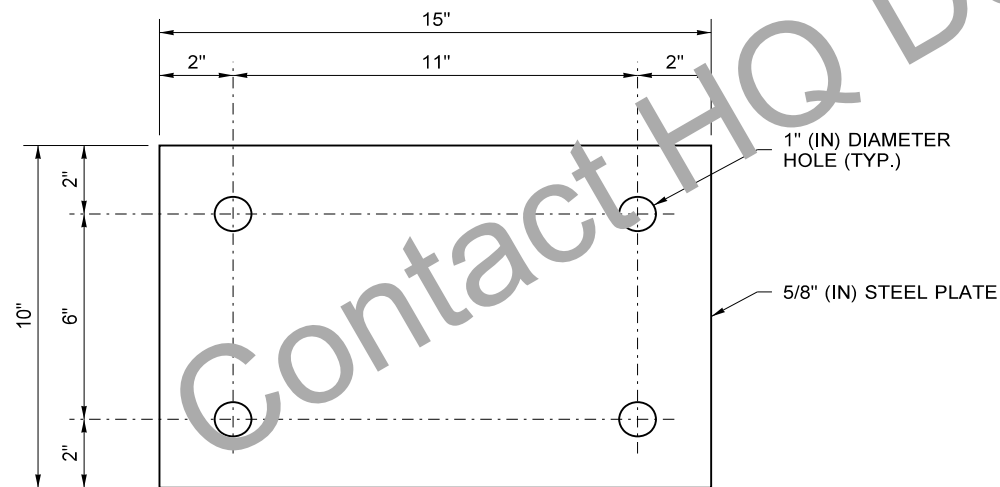




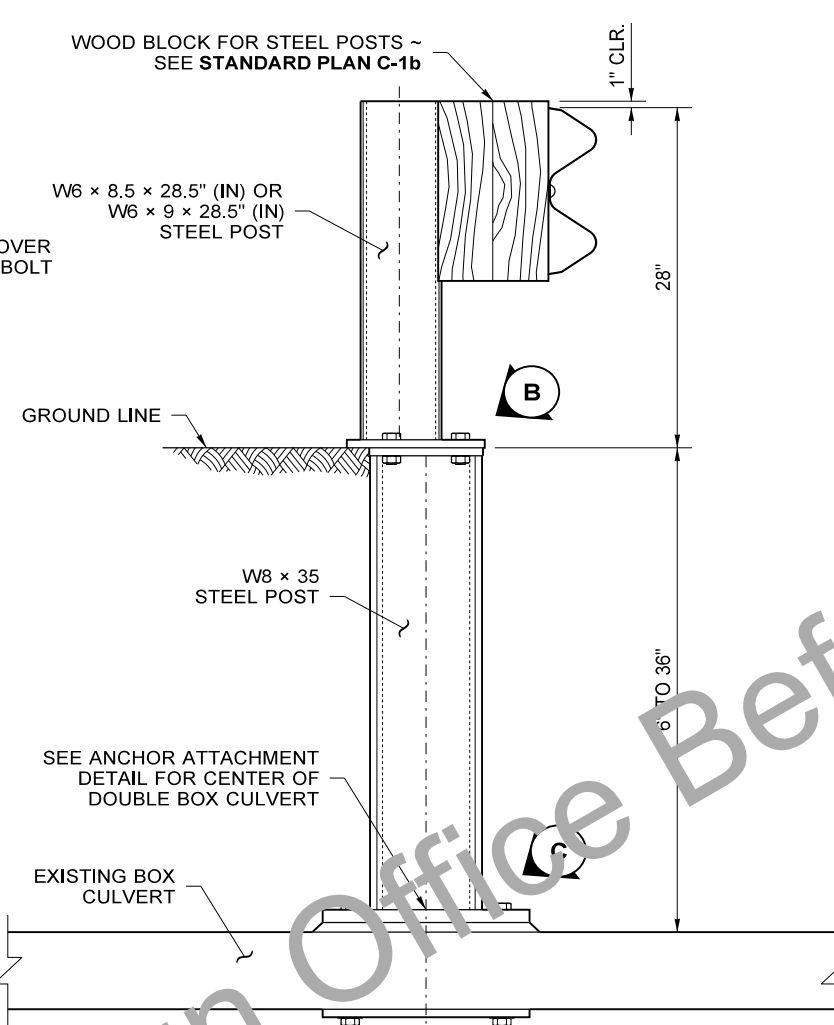
COVER PLATE DETAIL



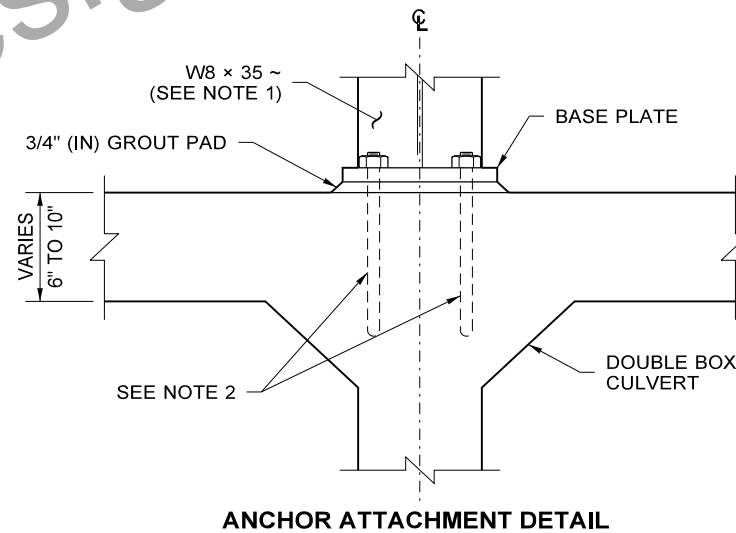
BASE PLATE DETAIL



BEARING PLATE DETAIL

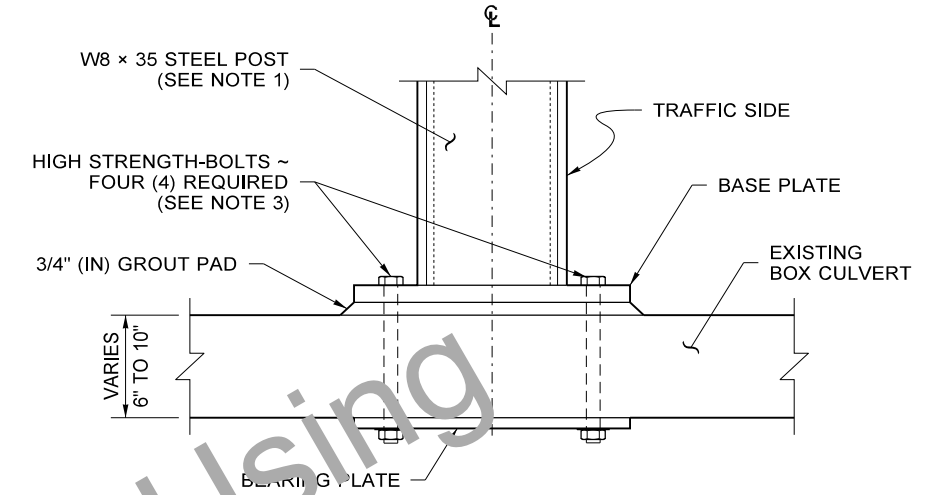


BOX CULVERT GUARDRAIL STEEL POST TYPE 1
(6" (IN) TO 36" (IN) GROUND COVER)

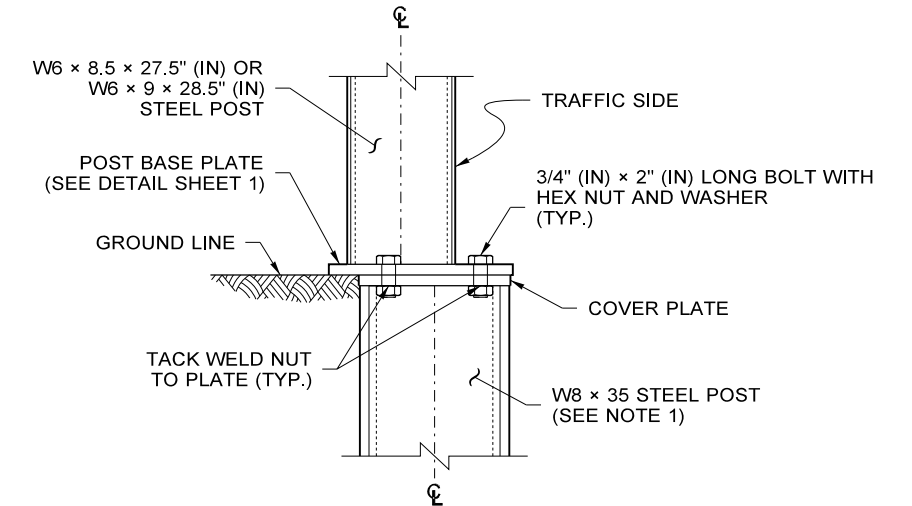


ANCHOR ATTACHMENT DETAIL

BOX CULVERT GUARDRAIL STEEL POST



DETAIL C
POST ATTACHMENT



DETAIL B
BASE ATTACHMENT

FILE NAME	S:\Design R P & S\4-Standards\2-Plan Sheet Library\01-Published PSL\TB) Traffic Barrier(TB-C series) plans converted\TB-c10\TB-c10.dgn			
TIME	8:06:06 AM	REGION NO.	STATE	FED.AID PROJ.NO.
DATE	9/6/2018	10	WASH	
PLOTTED BY	liddelf	JOB NUMBER		
DESIGNED BY		CONTRACT NO.		LOCATION NO.
ENTERED BY				
CHECKED BY				
PROJ. ENGR.				
REGIONAL ADM.	REVISION	DATE	BY	

P.E. STAMP BOX	DATE	P.E. STAMP BOX	DATE
----------------	------	----------------	------



Plot 2
PLAN REF NO TB-C10
SHEET 2 OF 2 SHEETS